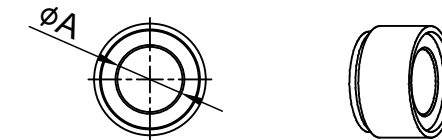
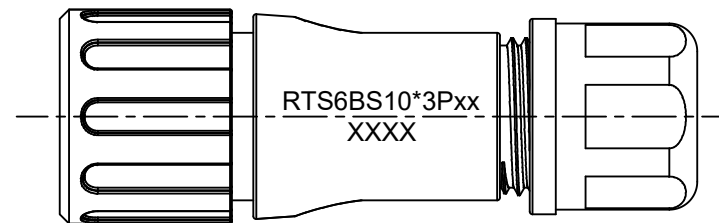
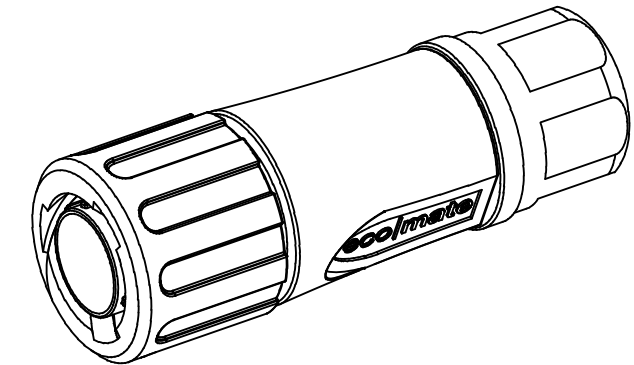
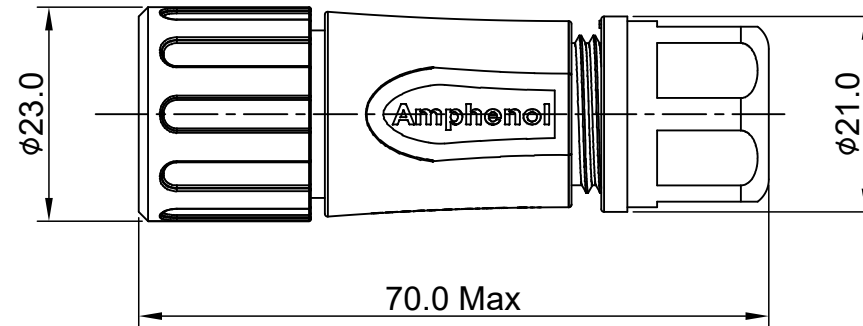
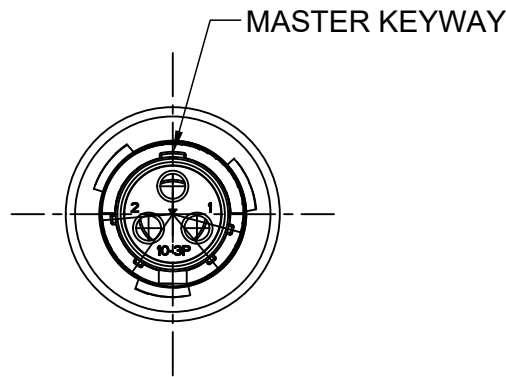


| REVISIONS | | | | | |
|-----------|-----|------------------|-------------|-------|-------|
| REV | ECO | DESCRIPTION | DATE | BY | APPR |
| A1 | -- | RELEASED DRAWING | Aug-10-2016 | Ben | Tommy |
| A2 | -- | UPDATE NOTES | Jun-20-2017 | Nick | Tommy |
| A3 | -- | UPDATE DRAWING | Mar-16-2018 | White | Tommy |



NOTES : (UNLESS OTHERWISE SPECIFIED)

- MATERIAL :
SHELL : THERMOPLASTIC , UL94 V-0.
INSERT : THERMOPLASTIC , UL94 V-0.
COUPLING NUT : THERMOPLASTIC , UL94 V-0.
O-RING : NBR/SILICONE RUBBER.
WASHER : SILICONE RUBBER.
BACK SHELL : THERMOPLASTIC , UL94 V-0.
CLAMP NUT : THERMOPLASTIC , UL94 V-0.
CLAMP RING : THERMOPLASTIC , UL94 V-0.
CABLE SEAL : EPDM.
- SPECIFICATIONS :
2.1 RATED CURRENT : 13A (MAX).
2.2 RATED VOLTAGE : 500V(AC/DC).
2.3 OPERATING TEMPERATURE : SEE TABLE .
2.4 DIELECTRIC WITHSTANDING VOLTAGE : LESS THAN
2 MILLIAMPS CURRENT LEAKAGE@2000 VOLTS AC.
2.5 INSULATION RESISTANCE : 5000 MEGOHMS MIN.
2.6 IP--CLASS : IP67 AND IP69K IN THE MATED CONDITION.
2.7 MATING CYCLES DURABILITY : 500 CYCLES MIN.
2.8 RoHS COMPLIANT.
- SUITABLE CONTACTS : 16# CONTACT.
- ALL DIMENSIONS ARE FOR REFERENCE USE ONLY.

| DIMENSION øA | CABLE OD RANGE |
|--------------|----------------|
| 7.0MM | 4.0-6.5MM |
| 8.8MM | 5.0-8.8MM |

| KEY | PART NUMBER | |
|-----|----------------|----------------|
| | -40°C ~ +105°C | -40°C ~ +125°C |
| N | RTS6BS10N3P | RTS6BS10N3P03 |

| QUANTITY | PART NUMBER | DESCRIPTION | ITEM | | | | | | | | |
|---|-------------|--|--|------|------|---------|----------|---|----|---------------|----|
| MATERIALS LIST | | | | | | | | | | | |
| UNLESS OTHERWISE SPECIFIED: 1) All dimensions are in metric(mm). 2) Tolerances are as follows: 1 PL DEC ±0.30 Fractions ±1/64 2 PL DEC ±0.15 Angles ±1° 3 PL DEC ±0.08 | | SIGNATURES DATE DRAWN: White Mar-16-2018 CHECKED: Tod Mar-16-2018 ENGINEER: APPROVAL: Tommy Mar-16-2018 CUSTOMER: | | | | | | | | | |
| MATERIAL SPECIFICATIONS: | | <p style="text-align: center;">Amphenol</p> <p>Sine Systems - www.amphenol-sine.com 44724 Morley Drive Clinton Township, MI 48036</p> <p style="text-align: center;">ECO-MATE, PLUG, BACK SHELL, SIZE 10,3POS,PIN.</p> | | | | | | | | | |
| PROCESS SPECIFICATIONS: | | | | | | | | | | | |
| NEXT ASSY: | | THIS DRAWING IS SUPPLIED FOR INFORMATION ONLY. DESIGN FEATURES, SPECIFICATIONS AND PERFORMANCE DATA SHOWN HEREON ARE THE PROPERTY OF THE AMPHENOL CORPORATION. NO RIGHTS OF REPRODUCTION ARE IMPLIED. ALL DIMENSIONS ARE SUBJECT TO NORMAL MANUFACTURING VARIATIONS. | <table border="1"> <tr> <td>SIZE</td> <td>TYPE</td> <td>DWG NO:</td> <td>REVISION</td> </tr> <tr> <td>B</td> <td>C-</td> <td>RTS6BS10*3Pxx</td> <td>A3</td> </tr> </table> | SIZE | TYPE | DWG NO: | REVISION | B | C- | RTS6BS10*3Pxx | A3 |
| SIZE | TYPE | DWG NO: | REVISION | | | | | | | | |
| B | C- | RTS6BS10*3Pxx | A3 | | | | | | | | |
| SCALE: NONE | | SHEET 1 OF 1 | | | | | | | | | |

TITLE: ECO-MATE PLUG BACK SHELL SIZE 10,3POS,PIN
DWG NO: RTS6BS10*3Pxx
REV: A3
SH: 1
OF: 1

ecomate® RM/RSSM/Aquarius™ - Contact Size 16 Options

| Crimp Contacts, Machined | | | | |
|--------------------------|------------|-------|-------------------------------|------------|
| Part Number | | AWG | Wire Range (mm ²) | Plating |
| Male | Female | | | |
| MP14M23F | MS14M23F | 14 | 2.0-2.5 | Gold Flash |
| MP14M23G5 | MS14M23G5 | 14 | 2.0-2.5 | Gold 5μ" |
| MP14M23G10 | MS14M23G10 | 14 | 2.0-2.5 | Gold 10μ" |
| MP14M23G15 | MS14M23G15 | 14 | 2.0-2.5 | Gold 15μ" |
| MP14M23G30 | MS14M23G30 | 14 | 2.0-2.5 | Gold 30μ" |
| MP16M23F | MS16M23F | 18-16 | 0.75-1.5 | Gold Flash |
| MP16M23G5 | MS16M23G5 | 18-16 | 0.75-1.5 | Gold 5μ" |
| MP16M23G10 | MS16M23G10 | 18-16 | 0.75-1.5 | Gold 10μ" |
| MP16M23G15 | MS16M23G15 | 18-16 | 0.75-1.5 | Gold 15μ" |
| MP16M23G30 | MS16M23G30 | 18-16 | 0.75-1.5 | Gold 30μ" |
| MP20M23F | MS20M23F | 22-20 | 0.34-0.50 | Gold Flash |
| MP20M23G5 | MS20M23G5 | 22-20 | 0.34-0.50 | Gold 5μ" |
| MP20M23G10 | MS20M23G10 | 22-20 | 0.34-0.50 | Gold 10μ" |
| MP20M23G15 | MS20M23G15 | 22-20 | 0.34-0.50 | Gold 15μ" |
| MP20M23G30 | MS20M23G30 | 22-20 | 0.34-0.50 | Gold 30μ" |
| MP24M23F | MS24M23F | 26-24 | 0.14-0.25 | Gold Flash |
| MP24M23G5 | MS24M23G5 | 26-24 | 0.14-0.25 | Gold 5μ" |
| MP24M23G10 | MS24M23G10 | 26-24 | 0.14-0.25 | Gold 10μ" |
| MP24M23G15 | MS24M23G15 | 26-24 | 0.14-0.25 | Gold 15μ" |
| MP24M23G30 | MS24M23G30 | 26-24 | 0.14-.025 | Gold 30μ" |

| Tooling, Machined | |
|-------------------|--|
| Part Number | Description |
| QXRT16 | Contact Extraction Tool, #16 (Ø 1.6) Contact |
| MFX-3959 | Hand Crimp Tool for Machined Contacts |
| MFX-3960 | Pneumatic Crimp Tool for Machined Contact |

| Plating Options, All | |
|----------------------|--|
| Symbol | Plating |
| T | Tin Plated (for Stamped & Formed Contacts) |
| S | Silver Plated 5Um (for Machined Contacts) |
| F | Gold Plated |
| G5 | Gold Plated (Thickness 5μ") |
| G10 | Gold Plated (Thickness 10μ") |
| G15 | Gold Plated (Thickness 15μ") |
| G30 | Gold Plated (Thickness 30μ") |

| Crimp Contacts, Stamped & Formed | | | | |
|----------------------------------|-----------|-------|-------------------------------|------------|
| Part Number | | AWG | Wire Range (mm ²) | Plating |
| Male | Female | | | |
| SP14M2F | SS14M2F | 14 | 2.0-2.5 | Gold Flash |
| SP14M2G5 | SS14M2G5 | 14 | 2.0-2.5 | Gold 5μ" |
| SP14M2G10 | SS14M2G10 | 14 | 2.0-2.5 | Gold 10μ" |
| SP14M2G15 | SS14M2G15 | 14 | 2.0-2.5 | Gold 15μ" |
| SP14M2G30 | SS14M2G30 | 14 | 2.0-2.5 | Gold 30μ" |
| SP16M2F | SS16M2F | 18-16 | 0.75-1.5 | Gold Flash |
| SP16M2G5 | SS16M2G5 | 18-16 | 0.75-1.5 | Gold 5μ" |
| SP16M2G10 | SS16M2G10 | 18-16 | 0.75-1.5 | Gold 10μ" |
| SP16M2G15 | SS16M2G15 | 18-16 | 0.75-1.5 | Gold 15μ" |
| SP16M2G30 | SS16M2G30 | 18-16 | 0.75-1.5 | Gold 30μ" |
| SP20M2F | SS20M2F | 22-20 | 0.34-0.50 | Gold Flash |
| SP20M2G5 | SS20M2G5 | 22-20 | 0.34-0.50 | Gold 5μ" |
| SP20M2G10 | SS20M2G10 | 22-20 | 0.34-0.50 | Gold 10μ" |
| SP20M2G15 | SS20M2G15 | 22-20 | 0.34-0.50 | Gold 15μ" |
| SP20M2G30 | SS20M2G30 | 22-20 | 0.34-0.50 | Gold 30μ" |
| SP24M2F | SS24M2F | 26-24 | 0.14-0.25 | Gold Flash |
| SP24M2G5 | SS24M2G5 | 26-24 | 0.14-0.25 | Gold 5μ" |
| SP24M2G10 | SS24M2G10 | 26-24 | 0.14-0.25 | Gold 10μ" |
| SP24M2G15 | SS24M2G15 | 26-24 | 0.14-0.25 | Gold 15μ" |
| SP24M2G30 | SS24M2G30 | 26-24 | 0.14-0.25 | Gold 30μ" |

| Tooling, Stamped & Formed | |
|---------------------------|--|
| Part Number | Description |
| QXRT16 | Contact Extraction Tool, #16 (Ø 1.6) Contact |
| MFX-3954 | Hand Tool, Stamped & Formed Contact, Size 16, 20-14AWG |
| MFX-3957 | Crimp Die, Stamped & Formed Contact |

| Misc Tooling, All | |
|-------------------|----------------------------|
| Part Number | Description |
| CA-4020-59 | Sealing Plug, Size 16 & 20 |

| Standard Quantity Order Options | |
|---------------------------------|-------------------|
| Machined | Stamped & Formed |
| Bulk Package, 500 Pieces | Reel, 3000 Pieces |