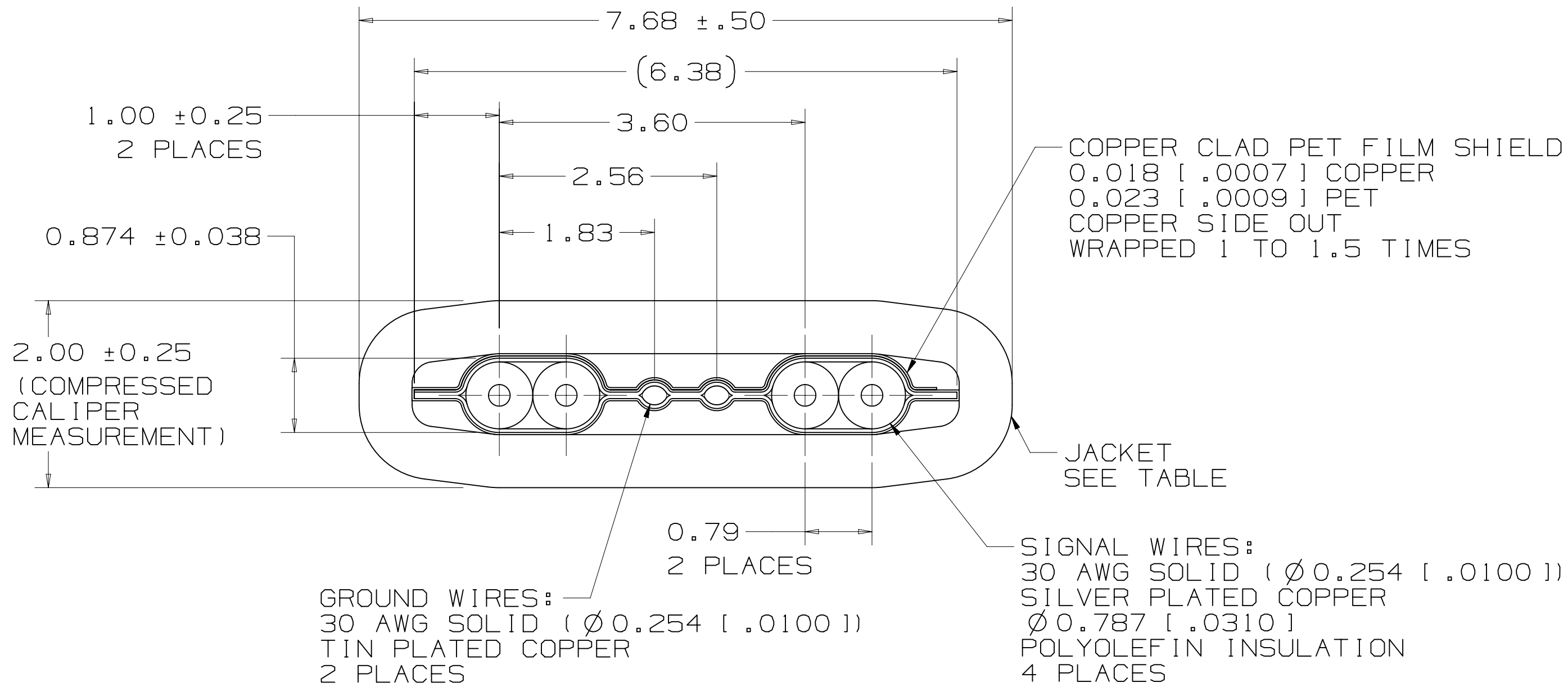


3M™ TWIN AXIAL CABLE, SL9000 SERIES

NOTES

- 1 DIMENSIONS ARE IN MILLIMETERS.
- 2 ELECTRICAL:
IMPEDANCE: 100 ±5 OHMS
- 3 PRODUCT SPECIFICATION NUMBER:
PS-0122
- 4 REGULATORY INFORMATION:
ROHS COMPLIANT. SEE THE REGULATORY INFORMATION APPENDIX (RIA) IN THE "ROHS COMPLIANCE" SECTION OF WWW.3MCONNECTORS.COM FOR COMPLIANCE INFORMATION (RIA E1 & C1 APPLY)
- 5 FOIL AND INSULATOR STRIPPING BLADE DESIGN DRAWINGS ARE AVAILABLE UPON REQUEST.
TOOLING REFERENCE NUMBER:
NU19E2



| JACKET TYPE/ COLOR | JACKET THICKNESS | W (WIDTH) | T (THICKNESS) | SIGNAL WIRE PLATING OPTION | 3M PART NUMBER |
|------------------------|--------------------------------------|--------------|------------------|-------------------------------|-----------------|
| HALOGEN-FREE/ BLACK | 0.38 MM MINIMUM (0.50 MM TYPICAL) | 7.50 | 2.00 | SILVER | SL90J6-1HN-BS2P |
| PVC/ BLACK | 0.38 MM MINIMUM (0.50 MM TYPICAL) | 7.50 | 2.00 | SILVER | SL90J6-1KN-BS2P |

| JACKET TYPE | JACKET MARKING (.5 M REPEAT OR LESS) |
|--------------|---|
| HALOGEN-FREE | 3M SL90J6-1HN-BS2P 30AWG 100 OHM 80C 150V 3M NU EU<50V RoHS Compliant (lot code) |
| PVC | 3M SL90J6-1KN-BS2P 30AWG 100 OHM 80C 150V 3M NU EU<50V RoHS Compliant (lot code) |

| | | | | | | |
|---------------------------|---|---|------------|---|--------------|--------------|
| DESIGN REFERENCE | NEXT ASSEMBLY | REV | ECO | ISSUE DATE AND DESCRIPTION | DRFT | CHKD |
| | | | | FEB 28, 2017 REVISED JACKET MARKING | LDS | DLD |
| ACCESS CODES | | DRFT | L SCHMIDT | DATE | AUG 01, 2011 | MFG |
| | | CHKD | | DATE | | APPVL |
| | | | | | | R EDWARDS |
| | | | | | | DATE |
| | | | | | | JAN 05, 2015 |
| DIVISION | DIVISION CODE | | | | | |
| DO NOT SCALE DRAWING | SCALE 20/1 | TOLERANCES EXCEPT AS NOTED INCHES .0 ± .00 ± .000 ± .0000 ± MILLIMETERS 0 ± .0 ± .00 ± .10 .000 ± ANGLES ±1° | | | | |
| THIRD ANGLE PROJECTION | INTERPRET PER ASME Y14.5 - 2009 | TITLE SL90J6-1XN-BS2P, 100 OHM 30 AWG 2PR FLAT PVC/HF JKT SHLD | | | | |
| MAX SURFACE ROUGHNESS 125 | <input type="checkbox"/> ALL SURFACES <input checked="" type="checkbox"/> MARKED ONLY | CAGE NUMBER | SIZE | DRAWING NO. | REV. | |
| | | C | | 78-5100-2434-8 | E | |
| | | MODEL | DET. LISTS | <input type="checkbox"/> YES <input checked="" type="checkbox"/> NO | SHT 1 OF 1 | |

Visit <http://www.3mconnectors.com>

78-5100-2434-8
DRAWING NUMBER

Imaged: E.1 2/28/2017 3:55 PM UTC-06:00