

# SM-36KS016 - Crimp contact



1623972

<https://www.phoenixcontact.com/pc/products/1623972>

Please be informed that the data shown in this PDF document is generated from our online catalog. Please find the complete data in the user documentation. Our general terms of use for downloads are valid.



Crimp contact, Socket, turned, contact diameter: 3.6 mm, crimp range: 16 mm<sup>2</sup> ... 16 mm<sup>2</sup>, Alternative product in accordance with RoHS II without Exemption 6c (Pb <0.1%) item no.: 1245032

## Your advantages

- Crimping connection: vibration- and temperature-resistant assembly
- High tensile strength of the connection
- Low contact resistance
- Easy production monitoring

## Commercial data

Item number	1623972
Packing unit	20 pc
Minimum order quantity	20 pc
Note	Made to order (non-returnable)
Product key	ABREAH
Catalog page	Page 169 (C-2-2019)
GTIN	4055626277585
Weight per piece (including packing)	7.35 g
Weight per piece (excluding packing)	7.35 g
Customs tariff number	85389099
Country of origin	DE

# SM-36KS016 - Crimp contact



1623972

<https://www.phoenixcontact.com/pc/products/1623972>

## Technical data

### Mounting

Connection method	Crimp connection
-------------------	------------------

### Product properties

Product type	Crimp contact
Contact material type	turned

### Connection data

Connection method	Crimp connection
Contact connection type	Socket
Conductor cross section	16 mm <sup>2</sup> ... 16 mm <sup>2</sup>

### Material specifications

Contact surface	Nickel-plated (Ni), with gold coating (Au)
Contact material	CuZn

### Dimensions

#### Mechanical characteristics

Contact diameter	3.6 mm
------------------	--------

### Mechanical properties

#### Mechanical data

Insertion/withdrawal cycles	100
-----------------------------	-----

# SM-36KS016 - Crimp contact

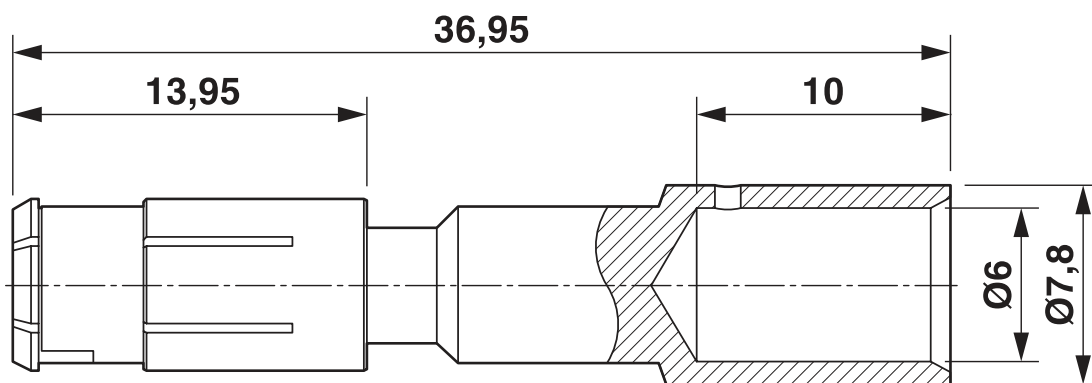


1623972

<https://www.phoenixcontact.com/pc/products/1623972>

## Drawings

Dimensional drawing



Dimensional drawing

# SM-36KS016 - Crimp contact



1623972

<https://www.phoenixcontact.com/pc/products/1623972>

## Classifications

### ECLASS

ECLASS-11.0	27440204
ECLASS-12.0	27440204
ECLASS-13.0	27440204

### ETIM

ETIM 8.0	EC000796
----------	----------

### UNSPSC

UNSPSC 21.0	39121500
-------------	----------

# SM-36KS016 - Crimp contact



1623972

<https://www.phoenixcontact.com/pc/products/1623972>

## Environmental product compliance

REACH SVHC	Lead 7439-92-1
China RoHS	Environmentally Friendly Use Period = 50 years
	For information on hazardous substances, refer to the manufacturer's declaration available under "Downloads"

# SM-36KS016 - Crimp contact

1623972

<https://www.phoenixcontact.com/pc/products/1623972>



## Accessories

### SB-Z0018 - Crimping pliers

1013638

<https://www.phoenixcontact.com/pc/products/1013638>



Manual crimping pliers for turned crimp contacts  $\varnothing$  3.6 mm, litz wire cross section of 10 mm<sup>2</sup> ... 16 mm<sup>2</sup> with locator for axial stop

---

Phoenix Contact 2023 © - all rights reserved  
<https://www.phoenixcontact.com>

PHOENIX CONTACT GmbH & Co. KG  
Flachsmarktstraße 8  
D-32825 Blomberg  
+49 (0) 5235-3 00  
[info@phoenixcontact.com](mailto:info@phoenixcontact.com)