

High Frequency Ceramic Solutions

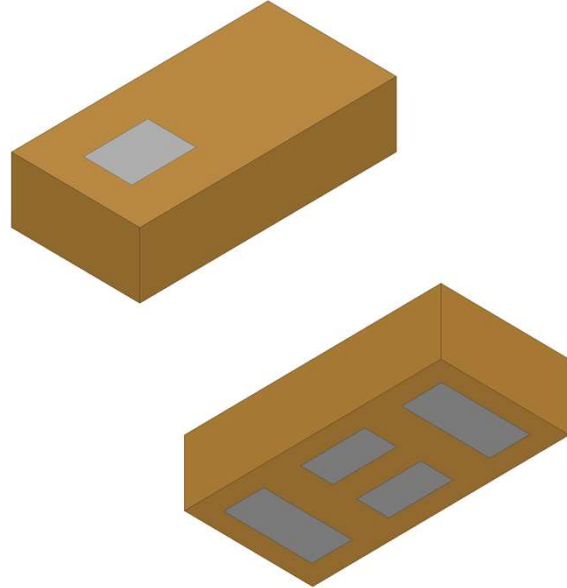
3.75GHz Band Pass Filter, EIA 0603, SMD, Low Loss and High Attenuation

P/N 3750BP14A0900

Detail Specification: 5/21/2020

Page 1 of 4

General Specifications	
Part Number	3750BP14A0900
Operating Frequency (MHz)	3300 - 4200
Insertion loss (dB)	2.3 typ.(2.7max.@85°C 2.8 max.@105°C)
Return Loss (dB)	10 min.
Power Capacity (W)	3 max. (CW)
Attenuation (dB)	
DC - 2170 MHz	44 typ. (40 min.)
2300 - 2700 MHz	41 typ. (30 min.)
5500 - 5850 MHz	22 typ. (20 min.)
Operating Temperature	-40°C to +105°C
Reel Quantity (pcs/reel)	4,000
Recommended Storage Conditions for unused T&R product	+5 to +35°C Humidity 45 - 75%RH 18 months max.



You can download measured s-parameters of this component at: <https://www.johansontechnology.com/band-pass-filters>

Part Number Explanation				
P/N Suffix	Packaging Style	Bulk	Suffix = S	E.g. 3750BP14A0900S
		T & R	Suffix = T	E.g. 3750BP14A0900T
	Evaluation Board	50Ω SMA	Suffix = EB1SMA	E.g. 3750BP14A0900-EB1SMA

Mechanical Dimensions		
	In	mm
L	0.063 ± 0.006	1.60 ± 0.15
W	0.031 ± 0.006	0.80 ± 0.15
T	0.016 max.	0.40 max.
a	0.010 ± 0.002	0.25 ± 0.05
b	0.016 ± 0.004	0.40 ± 0.10
c	0.009 ± 0.004	0.23 ± 0.10
d	0.022 ± 0.004	0.55 ± 0.10
e	0.008 ± 0.002	0.21 ± 0.05
f	0.008 ± 0.002	0.20 ± 0.05

< Side view >

< Bottomview >

Terminal Configuration	
No.	Function
1	INPUT / OUTPUT
2	GND
3	INPUT / OUTPUT
4	GND

< Top view >

Johanson Technology, Inc. reserves the right to make design changes without notice.
All sales are subject to Johanson Technology, Inc. terms and conditions.



<https://www.johansontechnology.com>

4001 Calle Tecate • Camarillo, CA 93012, USA • TEL +1.805.389.1166

Ver. 1.1

2020 Johanson Technology, Inc. All Rights Reserved

High Frequency Ceramic Solutions

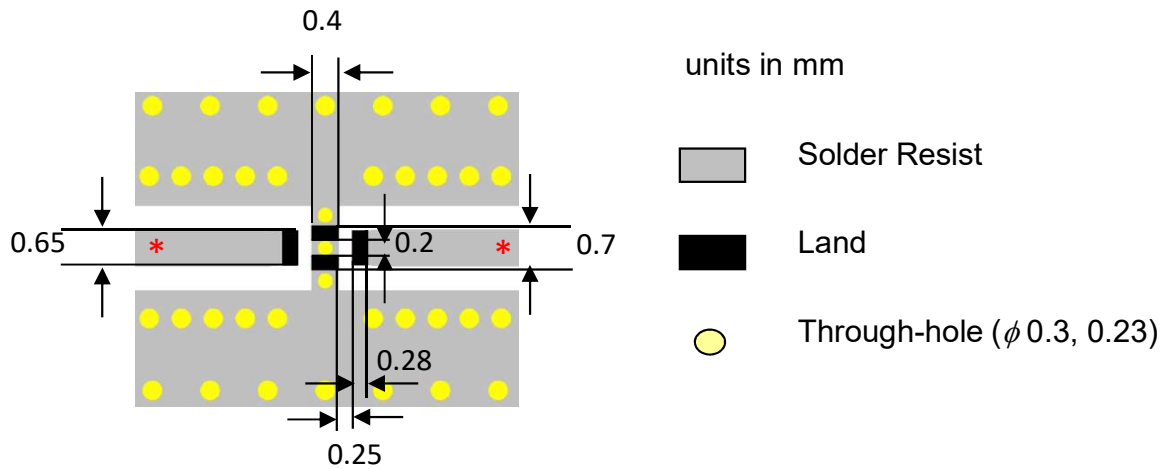
3.75GHz Band Pass Filter, EIA 0603, SMD, Low Loss and High Attenuation

P/N 3750BP14A0900

Detail Specification: 5/21/2020

Page 2 of 4

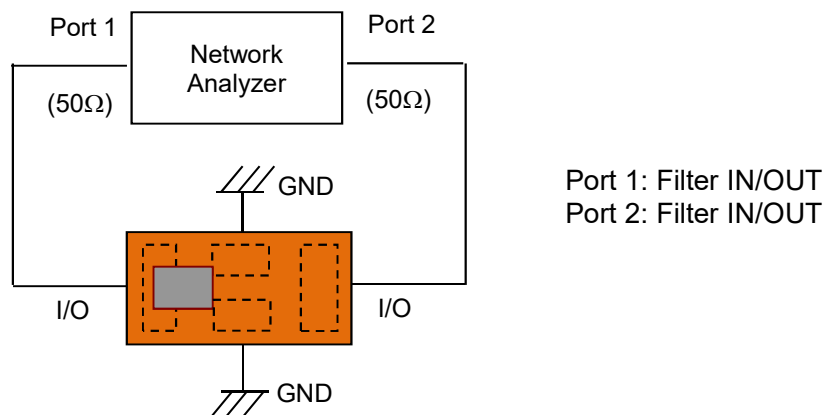
Mounting Pad Dimensions



* Transmission line width should be designed to match 50Ω characteristic impedance, depending on PCB material and thickness.

Would you like the layout? Send us a message at: <https://www.johansontechnology.com/ask-a-question>

Measurement Schematic



Johanson Technology, Inc. reserves the right to make design changes without notice.
All sales are subject to Johanson Technology, Inc. terms and conditions.



Ver. 1.1

<https://www.johansontechnology.com>
4001 Calle Tecate • Camarillo, CA 93012, USA • TEL +1.805.389.1166

2020 Johanson Technology, Inc. All Rights Reserved

High Frequency Ceramic Solutions

3.75GHz Band Pass Filter, EIA 0603, SMD, Low Loss and High Attenuation

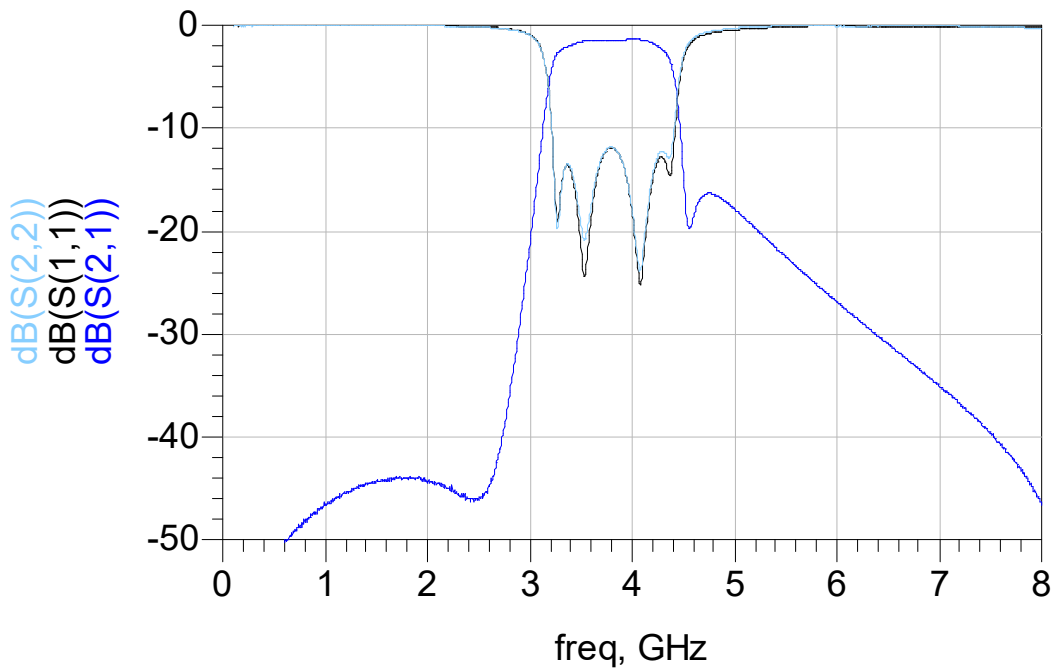
P/N 3750BP14A0900

Detail Specification: 5/21/2020

Page 3 of 4

Typical Electrical Characteristics (T=25°C)

Insertion Loss & Return loss



Do you need the S-parameter file of the above? Send us a message at:
<https://www.johansontechnology.com/ask-a-question>

Johanson Technology, Inc. reserves the right to make design changes without notice.
All sales are subject to Johanson Technology, Inc. terms and conditions.



<https://www.johansontechnology.com>

4001 Calle Tecate • Camarillo, CA 93012, USA • TEL +1.805.389.1166

Ver. 1.1

2020 Johanson Technology, Inc. All Rights Reserved

High Frequency Ceramic Solutions

3.75GHz Band Pass Filter, EIA 0603, SMD, Low Loss and High Attenuation

P/N 3750BP14A0900

Detail Specification: 5/21/2020

Page 4 of 4

Application Notes, Layout Files, and more

<https://www.johansontechnology.com/band-pass-filters>

Packaging information

<https://www.johansontechnology.com/tape-reel-packaging>

Soldering Information

<https://www.johansontechnology.com/ipcsoldering-profile>

MSL Info

<https://www.johansontechnology.com/msl-rating>

Recommended Storage Condition and Max Shelf Life

<https://www.johansontechnology.com/recommended-storage-conditions>

RoHS Compliance

<https://www.johansontechnology.com/technical-notes/rohs-compliance>

Antenna layout and tuning techniques

<https://www.johansontechnology.com/tuning.html>

Antenna layout review, tuning, and characterization services

<https://www.johansontechnology.com/ipc-antenna-services>

Johanson Technology, Inc. reserves the right to make design changes without notice.

All sales are subject to Johanson Technology, Inc. terms and conditions.



<https://www.johansontechnology.com>

4001 Calle Tecate • Camarillo, CA 93012, USA • TEL +1.805.389.1166

Ver. 1.1

2020 Johanson Technology, Inc. All Rights Reserved