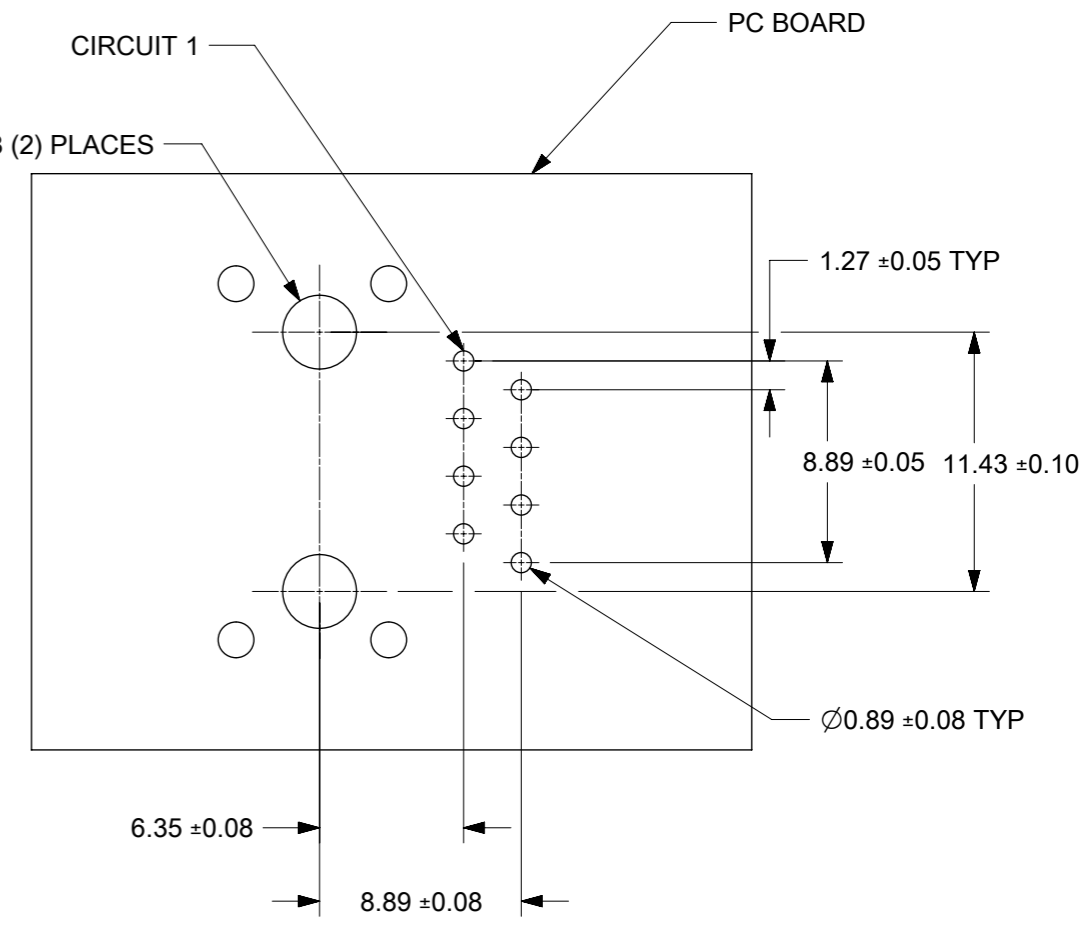


SNAP-FIT PEG
SCALE: NTS

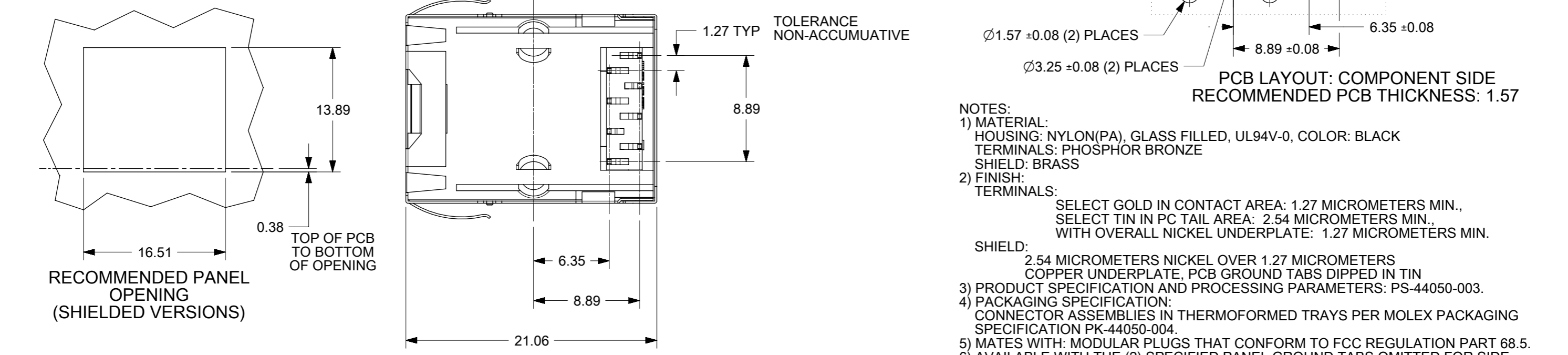
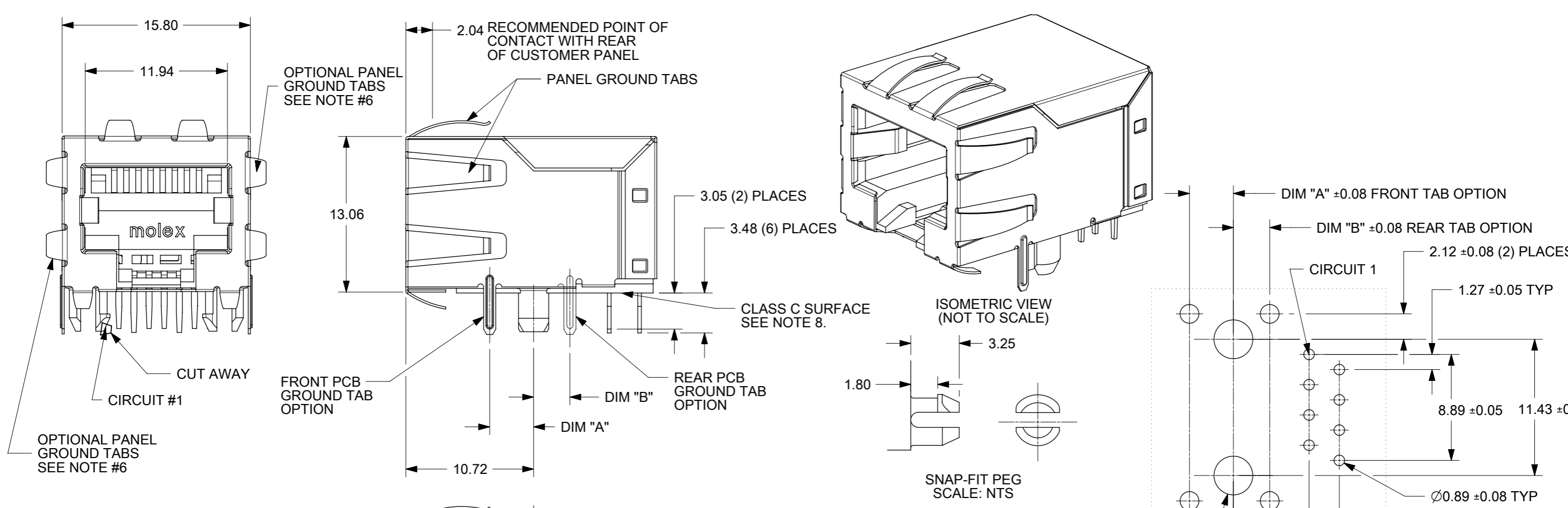


PCB LAYOUT: COMPONENT SIDE
RECOMMENDED PCB THICKNESS: 1.57

- NOTES:
- 1) MATERIAL:
HOUSING: NYLON(PA), GLASS FILLED, UL94V-0, COLOR: BLACK
TERMINALS: PHOSPHOR BRONZE
 - 2) FINISH:
TERMINALS:
SELECT GOLD IN CONTACT AREA: 1.27 MICROMETERS MIN.,
SELECT MATTE TIN IN PC TAIL AREA: 2.54 MICROMETERS MIN.,
WITH OVERALL NICKEL UNDERPLATE: 1.27 MICROMETERS MIN.
 - 3) PRODUCT SPECIFICATION AND PROCESSING PARAMETERS: PS-44050-003.
 - 4) PACKAGING SPECIFICATION:
CONNECTOR ASSEMBLIES IN THERMOFORMED TRAYS PER MOLEX PACKAGING SPECIFICATION PK-44050-004.
 - 5) MATES WITH: MODULAR PLUGS THAT CONFORM TO FCC REGULATION PART 68.5.
 - 6) TERMINAL LENGTHS MAY BE DIFFERENT FROM TERMINAL TO TERMINAL.
 - 7) THIS PART CONFORMS TO CLASS B REQUIREMENTS OF COSMETIC SPECIFICATION PS-45499-002 WITH THE EXCEPTION OF THE SURFACE INDICATED, WHICH IS A CLASS C SURFACE.

1.27 TYP TOLERANCE
NON-ACCUMULATIVE

FUNCTIONAL SYMBOLS	THIS DRAWING CONTAINS INFORMATION THAT IS PROPRIETARY TO MOLEX ELECTRONIC TECHNOLOGIES, LLC AND SHOULD NOT BE USED WITHOUT WRITTEN PERMISSION		CURRENT REV DESC: MIGRATED TO NX			molex			
	△/A = 0	mm							SCALE 4:1
DIVISIONAL SYMBOLS	GENERAL TOLERANCES (UNLESS SPECIFIED)		EC NO: 709829 DRWN: CCV CHK'D: KLANG APPR: KLANG 2018/02/27 2022/06/29 2022/06/29			CATEGORY 5 MODULAR JACK ASSEMBLIES, SINGLE PORT			
	△/E = 0	ANGULAR TOL ± 0.5°							
	△/F = 0	4 PLACES ±							
		3 PLACES ±							
		2 PLACES ± 0.25							
	1 PLACE ±								
	0 PLACES ±								
INITIAL REVISION:		DOCUMENT NUMBER			DOC TYPE	DOC PART	REVISION		
DRWN: KMARANTO		SD-44050-002			PSD	001	E5		
APPR: MMAYO		MATERIAL NUMBER			CUSTOMER		SHEET NUMBER		
DRAFT WHERE APPLICABLE MUST REMAIN WITHIN DIMENSIONS		THIRD ANGLE PROJECTION	DRAWING	SERIES	SEE CHART	GENERAL MARKET	1 OF 2		



- NOTES:
 1) MATERIAL:
 HOUSING: NYLON(PA), GLASS FILLED, UL94V-0, COLOR: BLACK
 TERMINALS: PHOSPHOR BRONZE
 SHIELD: BRASS
 2) FINISH:
 TERMINALS:
 SELECT GOLD IN CONTACT AREA: 1.27 MICROMETERS MIN.,
 SELECT TIN IN PC TAIL AREA: 2.54 MICROMETERS MIN.,
 WITH OVERALL NICKEL UNDERPLATE: 1.27 MICROMETERS MIN.
 SHIELD:
 2.54 MICROMETERS NICKEL OVER 1.27 MICROMETERS
 COPPER UNDERPLATE, PCB GROUND TABS DIPPED IN TIN
 3) PRODUCT SPECIFICATION AND PROCESSING PARAMETERS: PS-44050-003.
 4) PACKAGING SPECIFICATION:
 CONNECTOR ASSEMBLIES IN THERMOFORMED TRAYS PER MOLEX PACKAGING SPECIFICATION PK-44050-004.
 5) MATES WITH: MODULAR PLUGS THAT CONFORM TO FCC REGULATION PART 68.5.
 6) AVAILABLE WITH THE (2) SPECIFIED PANEL GROUND TABS OMITTED FOR SIDE TO SIDE STACKABILITY, PER THE ASSEMBLY MATERIAL NUMBER TABLE.
 7) TERMINAL LENGTHS MAY BE DIFFERENT FROM TERMINAL TO TERMINAL.
 8) THIS PART CONFORMS TO CLASS B REQUIREMENTS OF COSMETIC SPECIFICATION PS-45499-002 WITH THE EXCEPTION OF THE SURFACE INDICATED, WHICH IS A CLASS C SURFACE.

"X"=NOT TOOLED	ASSEMBLY MATERIAL NUM	DIM "A"	DIM -B-	PANEL GROUND TAB OPTION
	440500007	3.05	N/A	ALL
	440500002	3.68	N/A	ALL
	440500006	4.57	N/A	ALL
	440500003	N/A	3.05	ALL
X	440500009	3.05	N/A	SEE NOTE #6
X	440500004	3.68	N/A	SEE NOTE #6
X	440500008	4.57	N/A	SEE NOTE #6
X	440500005	N/A	3.05	SEE NOTE #6

THIS DRAWING CONTAINS INFORMATION THAT IS PROPRIETARY TO MOLEX ELECTRONIC TECHNOLOGIES, LLC AND SHOULD NOT BE USED WITHOUT WRITTEN PERMISSION

FUNCTIONAL SYMBOLS
 $\nabla_A = 0$
 $\nabla_E = 0$
 $\nabla_V = 0$

DIMENSION UNITS: mm
 SCALE: 4:1

GENERAL TOLERANCES (UNLESS SPECIFIED)
 ANGULAR TOL ± 0.5°

DIVISIONAL SYMBOLS
 4 PLACES ±
 3 PLACES ±
 2 PLACES ± 0.25
 1 PLACE ±
 0 PLACES ±

DRAFT WHERE APPLICABLE MUST REMAIN WITHIN DIMENSIONS

THIRD ANGLE PROJECTION

DRAWING: A3-SIZE
 SERIES: 44050
 MATERIAL NUMBER: SEE CHART
 CUSTOMER: GENERAL MARKET

EC NO: 709829
 DRWN: CCV
 CHK'D: KLANG
 APPR: KLANG

INITIAL REVISION:
 DRWN: KMARANTO
 APPR: MMAYO

2018/02/27
 2022/06/29
 2022/06/29

0097/12/11
 0099/04/16

DOCUMENT NUMBER: SD-44050-002
 DOC TYPE: PSD
 DOC PART: 001
 REVISION: E5

SHEET NUMBER: 2 OF 2