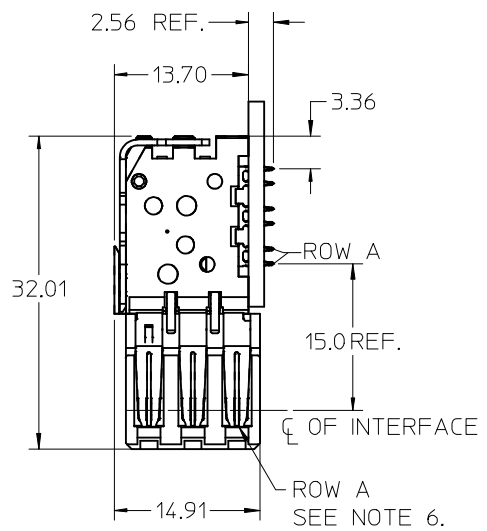
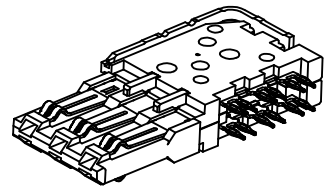
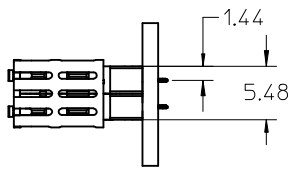
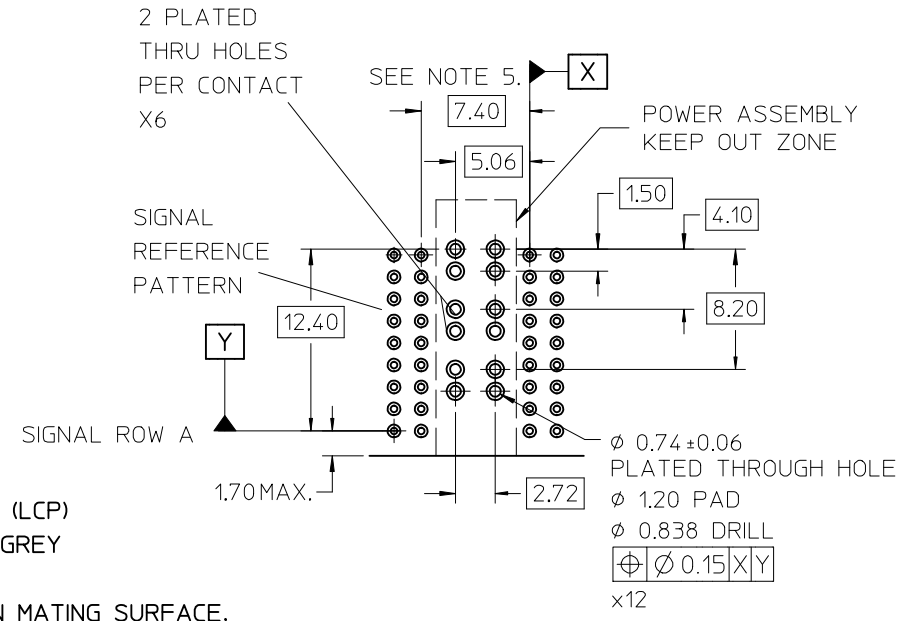


10 9 8 7 6 5 4 3 2 1



NOTES:

1. MATERIAL:
HOUSING: LIQUID CRYSTAL POLYMER (LCP)
UL94V-0 RATED, COLOR: GREY
CONTACT: COPPER ALLOY
2. FINISH: SELECT 30 μ INCH GOLD ON MATING SURFACE,
MATTE TIN ON TAILS, NICKEL UNDERPLATE.
3. FINISH: SELECT 50 μ INCH GOLD ON MATING SURFACE,
MATTE TIN ON TAILS, NICKEL UNDERPLATE.
4. MATES WITH 7533* BACKPLANE POWER ASSEMBLY.
5. FOR EACH ADDITIONAL POWER MODULE ADD 5.55 MM.
6. REMAINING ROWS ARE B, C IN THAT ORDER.

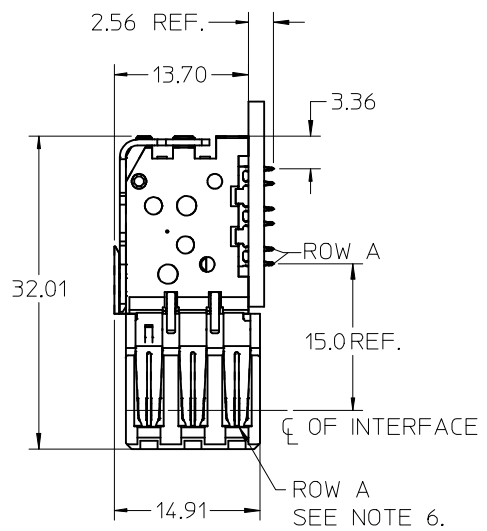
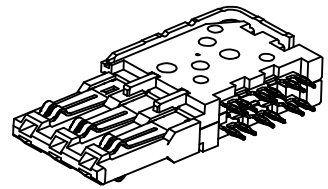
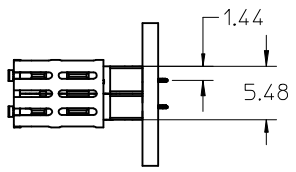


PART NUMBER	GOLD PLATING	
* 75292-3030	30μ IN	LEAD-FREE
* 75292-3050	50μ IN	LEAD-FREE
75292-3060	30μ IN	LEAD-FREE
75292-3080	50μ IN	LEAD-FREE

SEE NOTE 2 AND 3
* FORMERLY TIN/LEAD

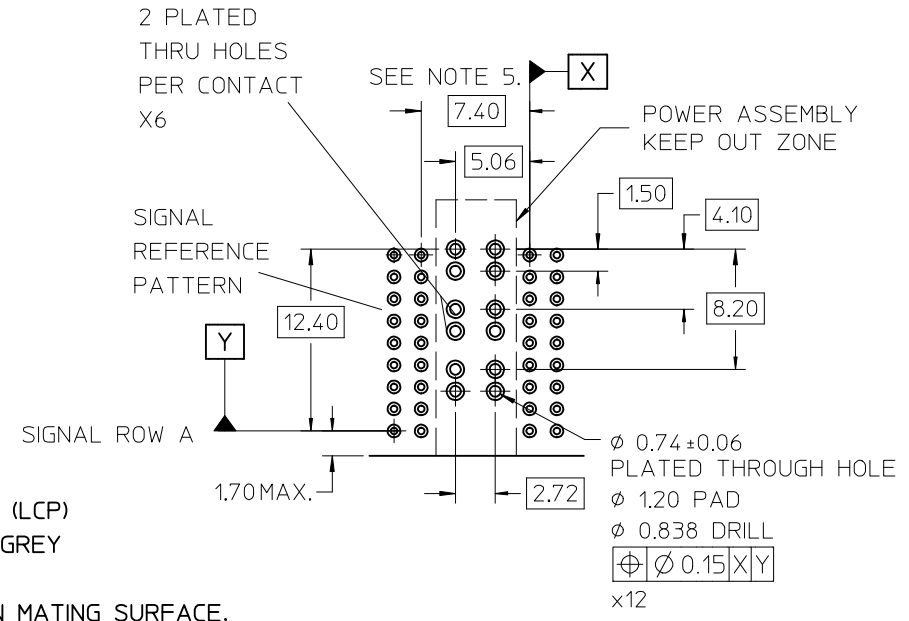
REVISE NOTE 4 EC NO: UCP2015-1118 DRWN: SVANG01 2014/09/23 CHKD: MMOLFE 2014/09/23 APPR: SMILLER 2014/09/29	QUALITY SYMBOLS	GENERAL TOLERANCES (UNLESS SPECIFIED)	DIMENSION STYLE	SCALE	DESIGN UNITS	THIRD ANGLE PROJECTION	
	▽=0	4 PLACES ± --- ± ---	MM ONLY	2:1	METRIC		
	▽=0	3 PLACES ± --- ± ---	mm INCH	DRAWN BY DATE	TITLE		
	▽=0	2 PLACES ± --- ± ---	ANGULAR ± 5 °	KMULVEY 11/02/2004	GBX POWER 3 PAIR DAUGHTERCARD ASSEMBLY		
		DRAFT WHERE APPLICABLE MUST REMAIN WITHIN DIMENSIONS	CHECKED BY DATE	DOCUMENT NO.			
			ELO 11/04/2004	SD-75292-003			
			APPROVED BY DATE	SHEET NO.			
			JB INGHAM 2010/01/21	1 OF 1			
			MATERIAL NO.	THIS DRAWING CONTAINS INFORMATION THAT IS PROPRIETARY TO MOLEX INCORPORATED AND SHOULD NOT BE USED WITHOUT WRITTEN PERMISSION			
			SEE CHART				

9 8 7 6 5 4 3 2 1



NOTES:

- MATERIAL:
HOUSING: LIQUID CRYSTAL POLYMER (LCP)
UL94V-0 RATED, COLOR: GREY
CONTACT: COPPER ALLOY
- FINISH: SELECT 30 μ INCH GOLD ON MATING SURFACE, MATTE TIN ON TAILS, NICKEL UNDERPLATE.
- FINISH: SELECT 50 μ INCH GOLD ON MATING SURFACE, MATTE TIN ON TAILS, NICKEL UNDERPLATE.
- MATES WITH 7533* BACKPLANE POWER ASSEMBLY.
- FOR EACH ADDITIONAL POWER MODULE ADD 5.55 MM.
- REMAINING ROWS ARE B, C IN THAT ORDER.



PART NUMBER	GOLD PLATING	
* 75292-3030	30μ IN	LEAD-FREE
* 75292-3050	50μ IN	LEAD-FREE
75292-3060	30μ IN	LEAD-FREE
75292-3080	50μ IN	LEAD-FREE

SEE NOTE 2 AND 3
* FORMERLY TIN/LEAD

REVISE NOTE 4 EC NO: UCP2015-1118 DRWN: SVANG01 2014/09/23 CHKD: MMOLFE 2014/09/23 APPR: SMILLER 2014/09/29	QUALITY SYMBOLS	GENERAL TOLERANCES (UNLESS SPECIFIED)	DIMENSION STYLE	SCALE	DESIGN UNITS	THIRD ANGLE PROJECTION
	▽=0	mm INCH	MM ONLY	2:1	METRIC	
	▽=0	4 PLACES ± --- ± ---	DRAWN BY DATE	TITLE		
	▽=0	3 PLACES ± --- ± ---	KMULVEY 11/02/2004	GBX POWER 3 PAIR DAUGHTERCARD ASSEMBLY		
	2 PLACES ± --- ± ---	CHECKED BY DATE	DOCUMENT NO.			
	1 PLACE ± --- ± ---	ELO 11/04/2004	SD-75292-003			
	0 PLACE ± ±	APPROVED BY DATE	SHEET NO.			
		JB INGHAM 2010/01/21	1 OF 1			
		ANGULAR ± 5 °	THIS DRAWING CONTAINS INFORMATION THAT IS PROPRIETARY TO MOLEX INCORPORATED AND SHOULD NOT BE USED WITHOUT WRITTEN PERMISSION			
		DRAFT WHERE APPLICABLE MUST REMAIN WITHIN DIMENSIONS				