

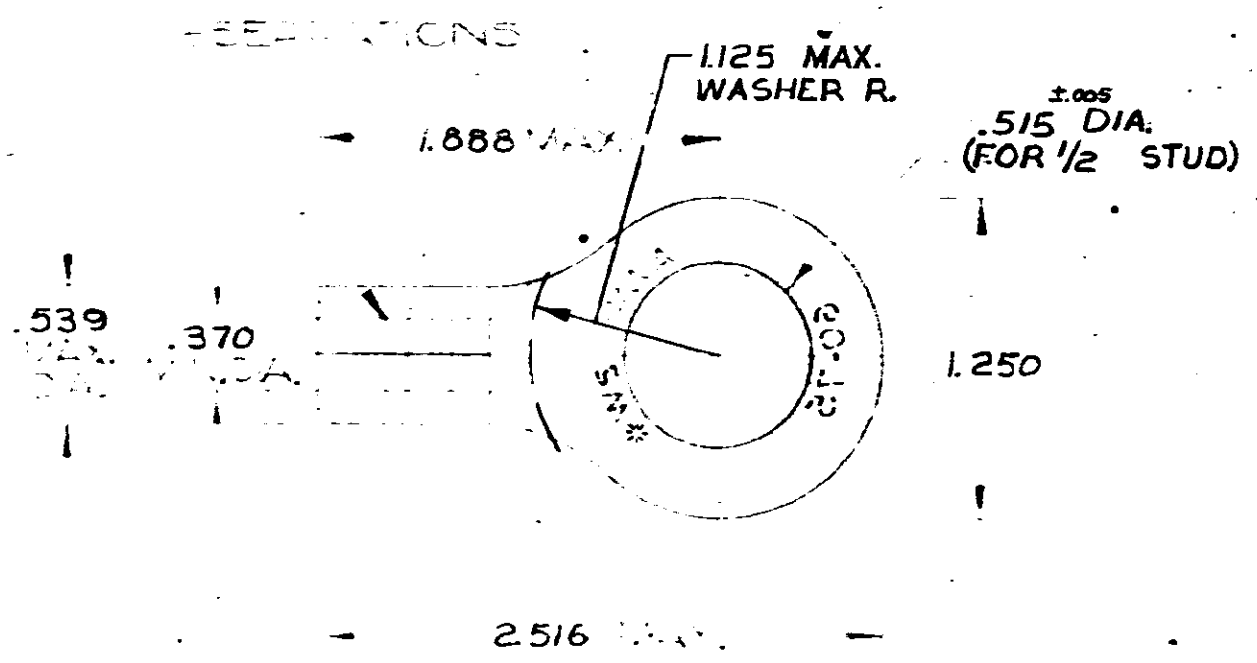
DRAWING MADE IN AMERICAN PATENT OFFICE

LOC **G** PRINT DIST **14 A**

© 1955 BY AMP INCORPORATED. ALL RIGHTS RESERVED. AMP PRODUCTS COVERED BY PATENTS AND/OR PATENTS PENDING.

REVISIONS			
REV	DESCRIPTION	DATE	APPROVED
A	REDRAWN & REV. PG-5567	11-18-70	<i>Jm</i>

323291



RECORD PRINT
RETURN TO FILE

RECEIVED
DATE
BY

MATERIALS
COPPED .070
PG-0-576

WIRE TERMINAL
SOLID STRAND - RING TONGUE
WIRE SIZE: #2

11-5-70
Harry Barb

11-18-70
Jm Enomura

11-19-70
Lwabel

11-23-70
Hyoung

AMP AMP INCORPORATED
HARRISBURG, PENNSYLVANIA

NAME: WIRE TERMINAL
SOLID STRAND - RING TONGUE
WIRE SIZE: #2

SIZE: A	CODE IDENT NO.: 00779	NUMBER: 323291
SHEETS: 1/1		SHEET: 1 OF 1