



Our Planetary Gear Motors are an inline solution providing excellent torque output at various speeds. They are equipped to handle varying loads and are best for intermittent duty operation. With endless performance combinations, we have a fully tailored gear motor solution for you.

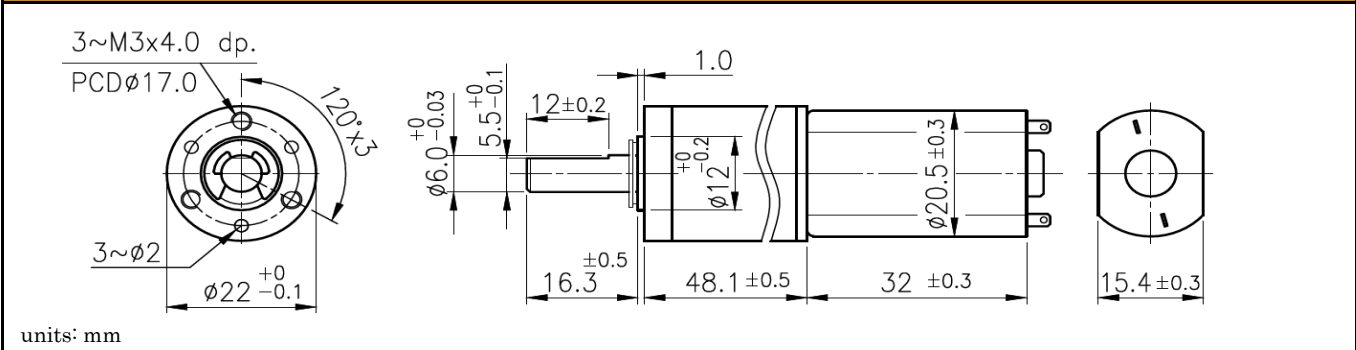


Contact Us for alternative solutions!

Specifications			
Gearhead Type:	Planetary	No-Load Speed:	5 rpm (+/- 10%)
Motor Type:	Carbon - Brushed	No-Load Current:	< 160 mA
Rated Voltage:	12V DC	Max. Power:	0.74 W
Rated Speed:	4 rpm	Reduction Ratio:	1,475:1
Rated Torque:	14 kg.cm	Output Shaft Material:	Steel
Rated Current:	420 mA	Termination Style:	Terminals

* Gearbox limitations are set at 20 kg.cm, operating past this torque limit may create premature failure.

Dimensions



Performance Curve

