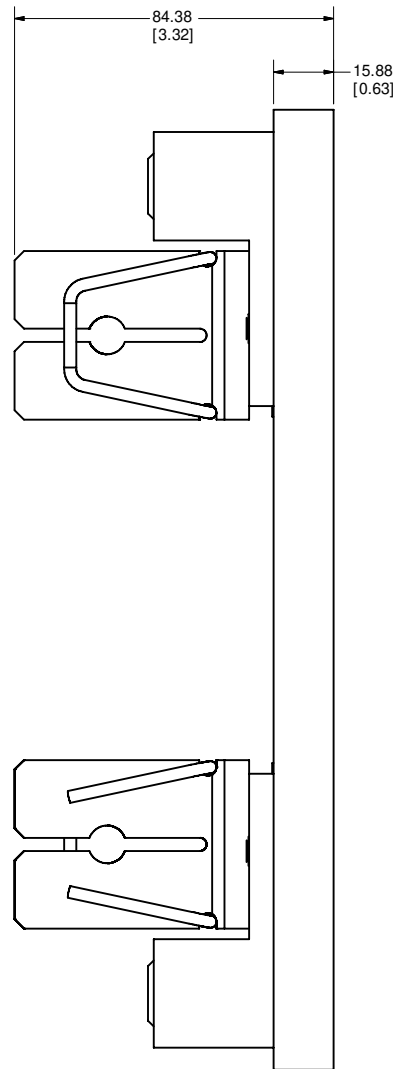
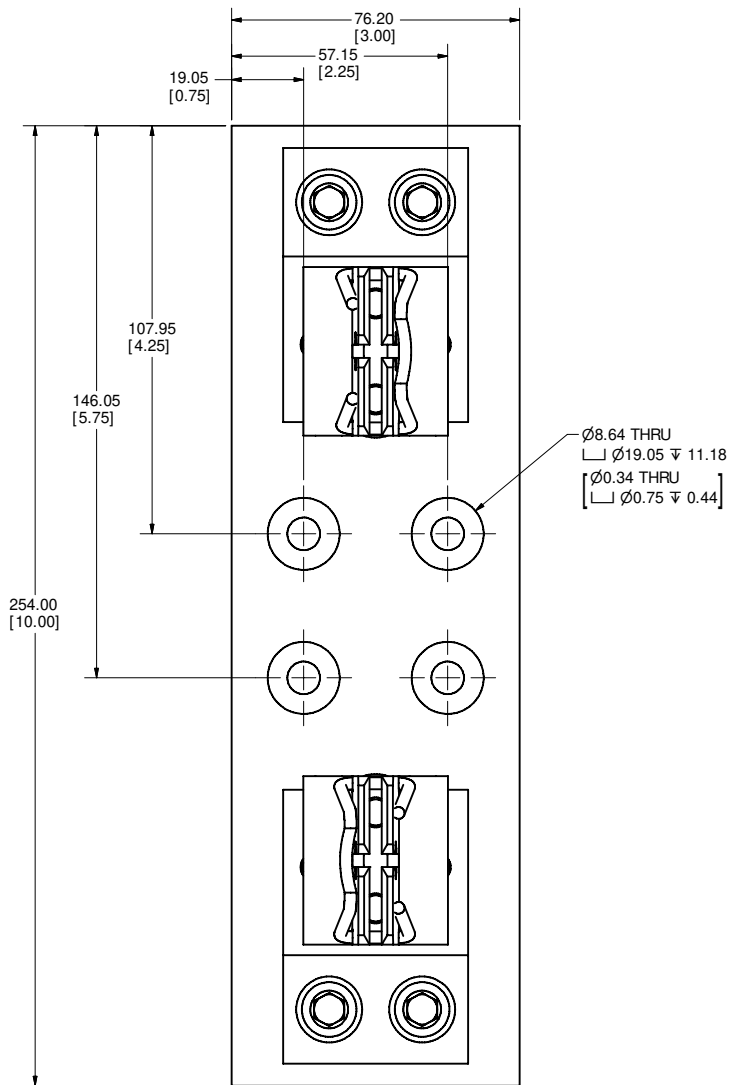


REVISION		DESCRIPTION
REV	DATE	
A	5/31/2011	502443ERP - RELEASE PER SALES RELEASE EM2250 MRY



SPECIFICATIONS:

- VOLTAGE RATING:** 1000VDC
- AMPERE RATING:** 400 AMPERES
- INTERRUPT RATING:** 10kA
- TERMINAL TYPE:** BOX LUG
- SUGGESTED TORQUE:** 31.1 N-m (275in-lb)
- WIRE RANGE:** 350kcmil-1/0 Cu/Al SOLID/STRANDED
- APPROVALS:** UL LISTED (UL 4248-18)

●	DENOTES CRITICAL CHARACTERISTICS		
CPK	DENOTES CPK DIMENSIONS - MINIMUM CPK VALUE		
(ST)	DENOTES A CHARACTERISTIC THAT PROVIDES AN INDICATION OF PROCESS PERFORMANCE. PROCEDURE FOR MEASUREMENT AND TRACKING TO BE DEFINED IN LITTELFUSE INSPECTION INSTRUCTIONS		
CP	DENOTES CP DIMENSIONS - MINIMUM CP VALUE MUST BE WITHIN THE DIMENSIONAL LIMITATIONS SHOWN ON DRAWING AND INITIALLY LOCATED TO ALLOW FOR MAXIMUM TOOL LIFE		
MATL SPEC		FINISH	
DRW MYPK	DATE	SCALE	FINISH GOOD WT
	5/27/2011	NTS	GRAMS/PIECE
UNLESS OTHERWISE SPECIFIED, DIMENSIONS ARE IN MILLIMETERS, DIMENSIONS IN BRACKETS [] ARE INCHES DIMENSIONING AND DO NOT INCLUDE PLATING. TOLERANCING TO BE INTERPRETED IN ACCORDANCE WITH ANSI Y14.5M-1994			
3RD ANGLE PROJECTION			
TITLE	LFJ104001C OUTLINE		
	REVISION	DRWG NO.	SHEET 1 OF 1
	A	OL-LFJ104001C	