

# MSC8103

## Network Digital Signal Processor

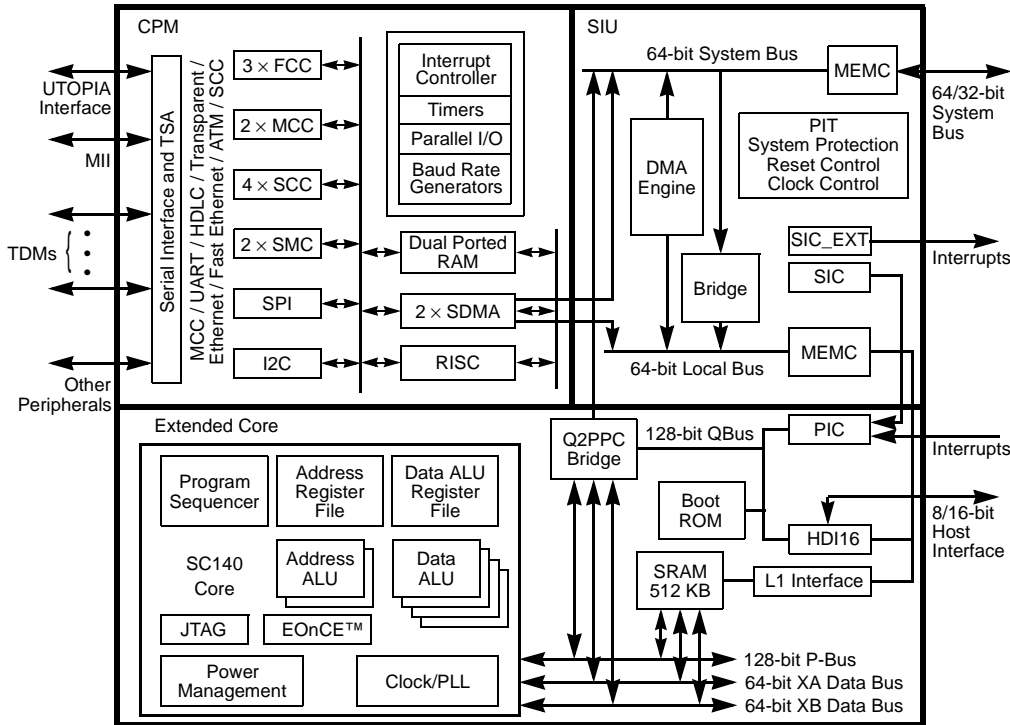


Figure 1. MSC8103 Block Diagram

The Freescale MSC8103 16-bit DSP is a member of the family of DSPs based on the StarCore SC140 DSP core. The MSC8103 is available in two core speed levels: 275 and 300 MHz.

### What's New?

Rev. 12 includes the following changes:

- **Table 2-4** changes  $V_{IL}$  reference for signal low input current to 0.8 V.

The Freescale MSC8103 DSP is a very versatile device that integrates the high-performance SC140 four-ALU (arithmetic logic unit) DSP core along with 512 KB of internal memory, a communications processor module (CPM), a 64-bit bus, a very flexible system integration unit (SIU), and a 16-channel DMA engine on a single device. With its four-ALU core, the MSC8103 can execute up to four multiply-accumulate (MAC) operations in a single clock cycle. The MSC8103 CPM is a 32-bit RISC-based communications protocol engine that can network to time-division multiplexed (TDM) highways, Ethernet, and asynchronous transfer mode (ATM) backbones. The MSC8103 60x-compatible bus interface facilitates its connection to multi-master system architectures. The very large internal memory, 512 KB, reduces the need for external program and data memories. The MSC8103 offers 1200 DSP MMACS performance using an internal 300 MHz clock with a 1.6 V core and independent 3.3 V input/output (I/O).

# Table of Contents

	MSC8103 Features .....	iii
	Target Applications .....	iv
	Product Documentation .....	iv
<b>Chapter 1</b>	<b>Signals/Connections</b>	
	1.1 Power Signals .....	1-4
	1.2 Clock Signals .....	1-4
	1.3 Reset, Configuration, and EOnCE Event Signals .....	1-5
	1.4 System Bus, HDI16, and Interrupt Signals .....	1-6
	1.5 Memory Controller Signals .....	1-13
	1.6 CPM Ports .....	1-15
	1.7 JTAG Test Access Port Signals .....	1-36
	1.8 Reserved Signals .....	1-36
<b>Chapter 2</b>	<b>Physical and Electrical Specifications</b>	
	2.1 Absolute Maximum Ratings .....	2-1
	2.2 Recommended Operating Conditions .....	2-2
	2.3 Thermal Characteristics .....	2-2
	2.4 DC Electrical Characteristics .....	2-3
	2.5 Clock Configuration .....	2-4
	2.6 AC Timings .....	2-7
<b>Chapter 3</b>	<b>Packaging</b>	
	3.1 FC-PBGA Package Description .....	3-1
	3.2 Lidded FC-PBGA Package Mechanical Drawing .....	3-31
<b>Chapter 4</b>	<b>Design Considerations</b>	
	4.1 Thermal Design Considerations .....	4-1
	4.2 Electrical Design Considerations .....	4-1
	4.3 Power Considerations .....	4-2
	4.4 Layout Practices .....	4-3
	Ordering and Contact Information .....	Back Cover

## Data Sheet Conventions

pin and pin-out	Although the device package does not have pins, the term pins and pin-out are used for convenience and indicate specific signal locations within the ball-grid array.			
<u>OVERBAR</u>	Used to indicate a signal that is active when pulled low (For example, the $\overline{\text{RESET}}$ pin is active when low.)			
“asserted”	Means that a high true (active high) signal is high or that a low true (active low) signal is low			
“deasserted”	Means that a high true (active high) signal is low or that a low true (active low) signal is high			
Examples:	<b>Signal/Symbol</b>	<b>Logic State</b>	<b>Signal State</b>	<b>Voltage</b>
	$\overline{\text{PIN}}$	True	Asserted	$V_{\text{IL}}/V_{\text{OL}}$
	$\overline{\text{PIN}}$	False	Deasserted	$V_{\text{IH}}/V_{\text{OH}}$
	PIN	True	Asserted	$V_{\text{IH}}/V_{\text{OH}}$
	PIN	False	Deasserted	$V_{\text{IL}}/V_{\text{OL}}$

**Note:** Values for  $V_{\text{IL}}$ ,  $V_{\text{OL}}$ ,  $V_{\text{IH}}$ , and  $V_{\text{OH}}$  are defined by individual product specifications.

# MSC8103 Features

- SC140 core
  - Architecture optimized for efficient C/C++ code compilation
  - Four 16-bit ALUs and two 32-bit AGUs
  - 1200 DSP MMACS running at 300 MHz
  - Very low power dissipation
  - Variable-length execution set (VLES) execution model
  - JTAG/Enhanced OnCE debug port
- Communications processor module (CPM)
  - Programmable protocol machine using a 32-bit RISC engine
  - 155 Mbps ATM interface (including AAL 0/1/2/5)
  - 10/100 Mbit Ethernet interface
  - Up to four E1/T1 interfaces or one E3/T3 interface and one E1/T1 interface
  - HDLC support up to T3 rates, or 256 channels
- 64- or 32-bit wide bus interface
  - Support for bursts for high efficiency
  - Glueless interface to 60x-compatible bus systems
  - Multi-master support
- Programmable memory controller
  - Control for up to eight banks of external memory
  - User-programmable machines (UPM) allowing glueless interface to various memory types (SRAM, DRAM, EPROM, and Flash memory) and other user-definable peripherals
  - Dedicated pipelined SDRAM memory interface
- Large internal SRAM
  - 256K 16-bit words (512 KB)
  - Unified program and data space configurable by the application
  - Word and byte addressable
- DMA controller
  - 16 DMA channels, FIFO based, with burst capabilities
  - Sophisticated addressing capabilities
- Small foot print package
  - 17 mm × 17 mm lidded FC-PBGA package with lead-bearing or lead-free spheres
- Very low power consumption
  - Separate power supply for internal logic (1.6 V) and for I/O (3.3 V)
- Enhanced 16-bit parallel host interface (HDI16)
  - Supports a variety of microcontroller, microprocessor, and DSP bus interfaces
- Phase-lock loops (PLLs)
  - System PLL
  - CPM DPLLs (SCC and SCM)
- Process technology
  - 0.13 micron copper interconnect process technology

# Target Applications

The MSC8103 targets applications requiring very high performance, very large amounts of internal memory, and such networking capabilities as:

- Third-generation wideband wireless infrastructure systems
- Packet Telephony systems
- Multi-channel modem banks
- Multi-channel xDSL

# Product Documentation

The documents listed in **Table 1** are required for a complete description of the MSC8103 and are necessary to design properly with the part. Documentation is available from the following sources (see back cover for details):

- A local Freescale distributor
- A Freescale Semiconductor sales office
- A Freescale Semiconductor Literature Distribution Center
- The world wide web (WWW)

**Table 1.** MSC8103 Documentation

Name	Description	Order Number
<i>MSC8103 Technical Data</i>	MSC8103 features list and physical, electrical, timing, and package specifications	MSC8103/D
<i>MSC8101 User's Guide</i>	Detailed functional description of the MSC8101 memory configuration, operation, and register programming. All details apply to the MSC8103.	MSC8101UG/D
<i>MSC8103 Reference Manual</i>	Detailed description of the MSC8103 processor core and instruction set	MSC8103RM/D
<i>SC140 DSP Core Reference Manual</i>	Detailed description of the SC140 family processor core and instruction set	MNSC140CORE/D
<i>Application Notes</i>	Documents describing specific applications or optimized device operation including code examples	See the MSC8103 product website

## Signals/Connections

The MSC8103 external signals are organized into functional groups, as shown in **Table 1-1**, **Figure 1-1**, and **Figure 1-2**. **Table 1-1** lists the functional groups, states the number of signal connections in each group, and references the table that gives details on multiplexed signals within each group. **Figure 1-1** shows MSC8103 external signals organized by function. **Figure 1-2** indicates how the parallel input/output (I/O) ports signals are multiplexed. Because the parallel I/O design supported by the MSC8103 communications processor module (CPM) is a subset of the parallel I/O signals supported by the MPC8260 device, port pins are not numbered sequentially.

**Table 1-1.** MSC8103 Functional Signal Groupings

Functional Group		Number of Signal Connections	Detailed Description
Power ( $V_{CC}$ , $V_{DD}$ , and GND)		80	<b>Table 1-2</b> on page 1-4
Clock		6	<b>Table 1-3</b> on page 1-4
Reset, configuration, and EOnCE		11	<b>Table 1-4</b> on page 1-5
System bus, HDI16, and interrupts		133	<b>Table 1-5</b> on page 1-7
Memory controller		27	<b>Table 1-6</b> on page 1-13
CPM input/output parallel ports	Port A	26	<b>Table 1-7</b> on page 1-16
	Port B	14	<b>Table 1-8</b> on page 1-21
	Port C	18	<b>Table 1-9</b> on page 1-24
	Port D	8	<b>Table 1-10</b> on page 1-33
JTAG test access port (TAP)		5	<b>Table 1-11</b> on page 1-36
Reserved (denotes connections that are always reserved)		5	<b>Table 1-12</b> on page 1-36



FCC1		ATM/UTOPIA		FCC1		GPIO	
MPHY Master mux poll or Slave	MPHY Master dir. poll	Ethernet MII	HDLC/transp. Serial	HDLC Nibble			PA31
TXENB		COL					PA30
TXCLAV	TXCLAV0	CRS	RTS				PA29
TXSOC (master) RXENB		TX_ER					PA28
RXSOC (slave)		TX_EN					PA27
RXSOC (slave)		RX_DV					PA26
RXCLAV	RXCLAV0	RX_ER					PA25
TXD0							PA24
TXD1							PA23
TXD2							PA22
TXD3							PA21
TXD4		TXD3		TXD3			PA20
TXD5		TXD2		TXD2			PA19
TXD6		TXD1		TXD1			PA18
TXD7		TXD0		TXD0			PA17
RXD7		TXD		TXD			PA16
RXD6		RXD0		RXD0			PA15
RXD5		RXD1		RXD1			PA14
RXD4		RXD2		RXD2			PA13
RXD3		RXD3		RXD3			PA12
RXD2							PA11
RXD1							PA10
RXD0							PA9
							PA8
							PA7
							PA6
							PB31
							PB30
							PB29
							PB28
							PB27
							PB26
							PB25
							PB24
							PB23
							PB22
							PB21
							PB20
							PB19
							PB18
							PC31
							PC30
							PC29
							PC28
							PC27
							PC26
							PC25
							PC24
							PC23
							PC22
							PC15
							PC14
							PC13
							PC12
							PC7
							PC6
							PC5
							PC4
							PD31
							PD30
							PD29
							PD19
							PD18
							PD17
							PD16
							PD7

Figure 1-2. CPM Port A–D Pin Multiplexed Functionality

# 1.1 Power Signals

**Table 1-2.** Power and Ground Signal Inputs

Power Name	Description
V <sub>DD</sub>	<b>Internal Logic Power</b> V <sub>DD</sub> dedicated for use with the device core. The voltage should be well-regulated and the input should be provided with an extremely low impedance path to the V <sub>DD</sub> power rail.
V <sub>DDH</sub>	<b>Input/Output Power</b> This source supplies power for the I/O buffers. The user must provide adequate external decoupling capacitors.
V <sub>CCSYN</sub>	<b>System PLL Power</b> V <sub>CC</sub> dedicated for use with the system Phase Lock Loop (PLL). The voltage should be well-regulated and the input should be provided with an extremely low impedance path to the V <sub>CC</sub> power rail.
V <sub>CCSYN1</sub>	<b>SC140 PLL Power</b> V <sub>CC</sub> dedicated for use with the SC140 core PLL. The voltage should be well-regulated and the input should be provided with an extremely low impedance path to the V <sub>CC</sub> power rail.
GND	<b>System Ground</b> An isolated ground for the internal processing logic. This connection must be tied externally to all chip ground connections, except GND <sub>SYN</sub> and GND <sub>SYN1</sub> . The user must provide adequate external decoupling capacitors.
GND <sub>SYN</sub>	<b>System PLL Ground</b> Ground dedicated for system PLL use. The connection should be provided with an extremely low-impedance path to ground.
GND <sub>SYN1</sub>	<b>SC140 PLL Ground 1</b> Ground dedicated for SC140 core PLL use. The connection should be provided with an extremely low-impedance path to ground.

# 1.2 Clock Signals

**Table 1-3.** Clock Signals

Signal Name	Type	Signal Description
CLKIN	Input	<b>Clock In</b> Primary clock input to the MSC8103 PLL.
MODCK1	Input	<b>Clock Mode Input 1</b> Defines the operating mode of internal clock circuits.
TC0	Output	<b>Transfer Code 0</b> Supplies information that can be useful for debugging bus transactions initiated by the MSC8103.
BNKSEL0	Output	<b>Bank Select 0</b> Selects the SDRAM bank when the MSC8103 is in 60x-compatible bus mode.
MODCK2	Input	<b>Clock Mode Input 2</b> Defines the operating mode of internal clock circuits.
TC1	Output	<b>Transfer Code 1</b> Supplies information that can be useful for debugging bus transactions initiated by the MSC8103.
BNKSEL1	Output	<b>Bank Select 1</b> Selects the SDRAM bank when the MSC8103 is in 60x-compatible bus mode.
MODCK3	Input	<b>Clock Mode Input 3</b> Defines the operating mode of internal clock circuits.
TC2	Output	<b>Transfer Code 2</b> Supplies information that can be useful for debugging bus transactions initiated by the MSC8103.
BNKSEL2	Output	<b>Bank Select 2</b> Selects the SDRAM bank when the MSC8103 is in 60x-compatible bus mode.



**Table 1-3.** Clock Signals (Continued)

Signal Name	Type	Signal Description
CLKOUT	Output	<b>Clock Out</b> The system bus clock.
DLLIN	Input	<b>DLLIN</b> Synchronizes with an external device. <b>Note:</b> When the DLL is disabled, connect this signal to GND.

## 1.3 Reset, Configuration, and EOnCE Event Signals

**Table 1-4.** Reset, Configuration, and EOnCE Event Signals

Signal Name	Type	Signal Description
DBREQ	Input	<b>Debug Request</b> Determines whether to go into SC140 Debug mode when $\overline{\text{PORESET}}$ is deasserted.
EE0 <sup>1</sup>		<b>Enhanced OnCE (EOnCE) Event 0</b> After $\overline{\text{PORESET}}$ is deasserted, you can configure EE0 as an input (default) or an output.
	Input	Debug request, enable Address Event Detection Channel 0, or generate an EOnCE event.
	Output	Detection by Address Event Detection Channel 0. Used to trigger external debugging equipment.
HPE	Input	<b>Host Port Enable</b> When this pin is asserted during $\overline{\text{PORESET}}$ , the Host port is enabled, the system data bus is 32 bits wide, and the Host <i>must</i> program the reset configuration word.
EE1 <sup>1</sup>		<b>EOnCE Event 1</b> After $\overline{\text{PORESET}}$ is deasserted, you can configure EE1 as an input (default) or an output.
	Input	Enable Address Event Detection Channel 1 or generate an EOnCE event.
	Output	Debug Acknowledge or detection by Address Event Detection Channel 1. Used to trigger external debugging equipment.
EE2 <sup>1</sup>		<b>EOnCE Event 2</b> After $\overline{\text{PORESET}}$ is deasserted, you can configure EE2 as an input (default) or an output.
	Input	Enable Address Event Detection Channel 2 or generate an EOnCE event or enable the Event Counter.
	Output	Detection by Address Event Detection Channel 2. Used to trigger external debugging equipment.
EE3 <sup>1</sup>		<b>EOnCE Event 3</b> After $\overline{\text{PORESET}}$ is deasserted, you can configure EE3 as an input (default) or an output. See the emulation and debug chapter in the <i>SC140 DSP Core Reference Manual</i> for details on the ERCV Register.
	Input	Enable Address Event Detection Channel 3 or generate one of the EOnCE events.
	Output	The DSP has read the EOnCE Receive Register (ERCV). Triggers external debugging equipment.

**Table 1-4.** Reset, Configuration, and EOnCE Event Signals (Continued)

Signal Name	Type	Signal Description
BTM[0–1]	Input	<b>Boot Mode 0–1</b> Determines the MSC8103 boot mode when $\overline{\text{PORESET}}$ is deasserted. See the emulation and debug chapter in the <i>SC140 DSP Core Reference Manual</i> for details on how to set these pins.
EE4 <sup>1</sup>	Input	<b>EOnCE Event 4</b> After $\overline{\text{PORESET}}$ is deasserted, you can configure EE4 as an input (default) or an output. See the emulation and debug chapter in the <i>SC140 DSP Core Reference Manual</i> for details on the ETRSMT Register.  Enable Address Event Detection Channel 4 or generate an EOnCE event.
EE5 <sup>1</sup>	Output	The DSP wrote the EOnCE Transmit Register (ETRSMT). Triggers external debugging equipment.
	Input	<b>EOnCE Event 5</b> After $\overline{\text{PORESET}}$ is deasserted, you can configure EE5 as an input (default) or an output.  Enable Address Event Detection Channel 5.
	Output	Detection by Address Event Detection Channel 5. Triggers external debugging equipment.
EED <sup>1</sup>	Input	<b>Enhanced OnCE (EOnCE) Event Detection</b> After $\overline{\text{PORESET}}$ is deasserted, you can configure EED as an input (default) or output:  Enable the Data Event Detection Channel.
	Output	Detection by the Data Event Detection Channel. Triggers external debugging equipment.
$\overline{\text{PORESET}}$	Input	<b>Power-On Reset</b> When asserted, this line causes the MSC8103 to enter power-on reset state.
$\overline{\text{RSTCONF}}$	Input	<b>Reset Configuration</b> Used during reset configuration sequence of the chip. A detailed explanation of its function is provided in the “Power-On Reset Flow” and “Hardware Reset Configuration” sections of the <i>MSC8103 Reference Manual</i> .
$\overline{\text{HRESET}}$	Input	<b>Hard Reset</b> When asserted, this open-drain line causes the MSC8103 to enter the hard reset state.
$\overline{\text{SRESET}}$	Input	<b>Soft Reset</b> When asserted, this open-drain line causes the MSC8103 to enter the soft reset state.
<b>Note:</b> See the emulation and debug chapter in the <i>SC140 DSP Core Reference Manual</i> for details on how to configure these pins.		

## 1.4 System Bus, HDI16, and Interrupt Signals

The system bus, HDI16, and interrupt signals are grouped together because they use a common set of signal lines. Individual assignment of a signal to a specific signal line is configured through registers in the System Interface Unit (SIU) and the Host Interface (HDI16). 1-5 describes the signals in this group.

**Note:** To boot from the host interface, the HDI16 must be enabled by pulling up the HPE signal line during  $\overline{\text{PORESET}}$ . The configuration word must then be loaded from the host. The configuration word must set the Internal Space Port Size bit in the Bus Control Register (BCR[ISPS]) to change the system data bus width from 64 bits to 32 bits and reassign the upper 32 bits to their HDI16 functions. Never set the Host Port Enable (HEN) bit in the Host Port Control Register (HPCR) to enable the HDI16, unless the bus size is first changed from 64 bits to 32 bits. Otherwise, unpredictable operation may occur.

Although there are eight interrupt request ( $\overline{\text{IRQ}}$ ) connections to the core processor, there are multiple external lines that can connect to these internal signal lines. After reset, the default configuration includes two  $\overline{\text{IRQ1}}$  and two  $\overline{\text{IRQ7}}$  input lines. The designer must select one line for each required interrupt and reconfigure the other external signal line or lines for alternate functions.

**Table 1-5.** System Bus, HDI16, and Interrupt Signals

Signal	Data Flow	Description
A[0–31]	Input/Output	<b>Address Bus</b> When the MSC8103 is in external master bus mode, these pins function as the address bus. The MSC8103 drives the address of its internal bus masters and responds to addresses generated by external bus masters. When the MSC8103 is in Internal Master Bus mode, these pins are used as address lines connected to memory devices and are controlled by the MSC8103 memory controller.
TT[0–4]	Input/Output	<b>Bus Transfer Type</b> The bus master drives these pins during the address tenure to specify the type of transaction.
TSIZ[0–3]	Input/Output	<b>Transfer Size</b> The bus master drives these pins with a value indicating the number of bytes transferred in the current transaction.
$\overline{\text{TBST}}$	Input/Output	<b>Bus Transfer Burst</b> The bus master asserts this pin to indicate that the current transaction is a burst transaction (transfers four quad words).
$\overline{\text{IRQ1}}$	Input	<b>Interrupt Request 1<sup>1</sup></b> One of eight external lines that can request a service routine, via the internal interrupt controller, from the SC140 core.
$\overline{\text{GBL}}$	Input/Output	<b>Global<sup>1</sup></b> When a master within the chip initiates a bus transaction, it drives this pin. When an external master initiates a bus transaction, it should drive this pin. Assertion of this pin indicates that the transfer is global and it should be snooped by caches in the system.
Reserved	Output	The primary configuration is reserved.
BADDR29	Output	<b>Burst Address 29<sup>1</sup></b> One of five outputs of the memory controller. These pins connect directly to memory devices controlled by the MSC8103 memory controller.
$\overline{\text{IRQ2}}$	Input	<b>Interrupt Request 2<sup>1</sup></b> One of eight external lines that can request a service routine, via the internal interrupt controller, from the SC140 core.
Reserved	Output	The primary configuration is reserved.
BADDR30	Output	<b>Burst Address 30<sup>1</sup></b> One of five outputs of the memory controller. These pins connect directly to memory devices controlled by the MSC8103 memory controller.
$\overline{\text{IRQ3}}$	Input	<b>Interrupt Request 3<sup>1</sup></b> One of eight external lines that can request a service routine, via the internal interrupt controller, from the SC140 core.
Reserved	Output	The primary configuration is reserved.
BADDR31	Output	<b>Burst Address 31<sup>1</sup></b> One of five outputs of the memory controller. These pins connect directly to memory devices controlled by the MSC8103 memory controller.
$\overline{\text{IRQ5}}$	Input	<b>Interrupt Request 5<sup>1</sup></b> One of eight external lines that can request a service routine, via the internal interrupt controller, from the SC140 core.

**Table 1-5. System Bus, HDI16, and Interrupt Signals (Continued)**

Signal	Data Flow	Description
$\overline{\text{BR}}$	Input/Output Output	<b>Bus Request<sup>2</sup></b> An output when an external arbiter is used. The MSC8103 asserts this pin to request ownership of the bus.
	Input	An input when an internal arbiter is used. An external master should assert this pin to request bus ownership from the internal arbiter.
$\overline{\text{BG}}$	Input/Output Output	<b>Bus Grant<sup>2</sup></b> An output when an internal arbiter is used. The MSC8103 asserts this pin to grant bus ownership to an external bus master.
	Input	An input when an external arbiter is used. The external arbiter should assert this pin to grant bus ownership to the MSC8103.
$\overline{\text{ABB}}$	Input/Output Output	<b>Address Bus Busy<sup>1</sup></b> The MSC8103 asserts this pin for the duration of the address bus tenure. Following an address acknowledge (AACK) signal, which terminates the address bus tenure, the MSC8103 deasserts ABB for a fraction of a bus cycle and then stops driving this pin.
	Input	The MSC8103 does not assume bus ownership while this pin is asserted by an external bus master.
$\overline{\text{IRQ2}}$	Input	<b>Interrupt Request 2<sup>1</sup></b> One of the eight external lines that can request a service routine, via the internal interrupt controller, from the SC140 core.
$\overline{\text{TS}}$	Input/Output	<b>Bus Transfer Start</b> Signals the beginning of a new address bus tenure. The MSC8103 asserts this signal when one of its internal bus masters (SC140 core or DMA controller) begins an address tenure. When the MSC8103 senses this pin being asserted by an external bus master, it responds to the address bus tenure as required (snoop if enabled, access internal MSC8103 resources, memory controller support).
$\overline{\text{AACK}}$	Input/Output	<b>Address Acknowledge</b> A bus slave asserts this signal to indicate that it identified the address tenure. Assertion of this signal terminates the address tenure.
$\overline{\text{ARTRY}}$	Input	<b>Address Retry</b> Assertion of this signal indicates that the bus transaction should be retried by the bus master. The MSC8103 asserts this signal to enforce data coherency with its internal cache and to prevent deadlock situations.
$\overline{\text{DBG}}$	Input/Output Output	<b>Data Bus Grant<sup>2</sup></b> An output when an internal arbiter is used. The MSC8103 asserts this pin as an output to grant data bus ownership to an external bus master.
	Input	An input when an external arbiter is used. The external arbiter should assert this pin as an input to grant data bus ownership to the MSC8103.
$\overline{\text{DBB}}$	Input/Output Output	<b>Data Bus Busy<sup>1</sup></b> The MSC8103 asserts this pin as an output for the duration of the data bus tenure. Following a $\overline{\text{TA}}$ , which terminates the data bus tenure, the MSC8103 deasserts DBB for a fraction of a bus cycle and then stops driving this pin.
	Input	The MSC8103 does not assume data bus ownership while $\overline{\text{DBB}}$ is asserted by an external bus master.
$\overline{\text{IRQ3}}$	Input	<b>Interrupt Request 3<sup>1</sup></b> One of the eight external lines that can request a service routine, via the internal interrupt controller, from the SC140 core.
D[0–31]	Input/Output	<b>Data Bus Most Significant Word</b> In write transactions the bus master drives the valid data on this bus. In read transactions the slave drives the valid data on this bus. In Host Port Disabled mode, these 32 bits are part of the 64-bit data bus. In Host Port Enabled mode, these bits are used as the bus in 32-bit mode.

**Table 1-5.** System Bus, HDI16, and Interrupt Signals (Continued)

Signal	Data Flow	Description
D[32–47]	Input/Output	<b>Data Bus Bits 32–47</b> In write transactions the bus master drives the valid data on this bus. In read transactions the slave drives the valid data on this bus.
HD[0–15]	Input/Output	<b>Host Data<sup>2</sup></b> When the HDI16 interface is enabled, these signals are lines 0-15 of the bidirectional tri-state data bus.
D[48–51]	Input/Output	<b>Data Bus Bits 48–51</b> In write transactions the bus master drives the valid data on these pins. In read transactions the slave drives the valid data on these pins.
HA[0–3]	Input	<b>Host Address Line 0–3<sup>3</sup></b> When the HDI16 interface bus is enabled, these lines address internal host registers.
D52	Input/Output	<b>Data Bus Bit 52</b> In write transactions the bus master drives the valid data on this pin. In read transactions the slave drives the valid data on this pin.
$\overline{\text{HCS1}}$	Input	<b>Host Chip Select<sup>3</sup></b> When the HDI16 interface is enabled, this is one of the two chip-select pins. The HDI16 chip select is a logical OR of $\overline{\text{HCS1}}$ and $\overline{\text{HCS2}}$ .
D53	Input/Output	<b>Data Bus Bit 53</b> In write transactions the bus master drives the valid data on this pin. In read transactions the slave drives the valid data on this pin.
HRW	Input	<b>Host Read Write Select<sup>3</sup></b> When the HDI16 interface is enabled in Single Strobe mode, this is the read/write input (HRW).
$\overline{\text{HRD}}/\text{HRD}$	Input	<b>Host Read Strobe<sup>3</sup></b> When the HDI16 is programmed to interface with a double data strobe host bus, this pin is the read data strobe Schmitt trigger input ( $\overline{\text{HRD}}/\text{HRD}$ ). The polarity of the data strobe is programmable.
D54	Input/Output	<b>Data Bus Bit 54</b> In write transactions the bus master drives the valid data on this pin. In read transactions the slave drives the valid data on this pin.
$\overline{\text{HDS}}/\text{HDS}$	Input	<b>Host Data Strobe<sup>3</sup></b> When the HDI16 is programmed to interface with a single data strobe host bus, this pin is the data strobe Schmitt trigger input ( $\overline{\text{HDS}}/\text{HDS}$ ). The polarity of the data strobe is programmable.
$\overline{\text{HWR}}/\text{HWR}$	Input	<b>Host Write Data Strobe<sup>3</sup></b> When the HDI16 is programmed to interface with a double data strobe host bus, this pin is the write data strobe Schmitt trigger input ( $\overline{\text{HWR}}/\text{HWR}$ ). The polarity of the data strobe is programmable.
D55	Input/Output	<b>Data Bus Bit 55</b> In write transactions the bus master drives the valid data on this pin. In read transactions the slave drives the valid data on this pin.
$\overline{\text{HREQ}}/\text{HREQ}$	Output	<b>Host Request<sup>3</sup></b> When the HDI16 is programmed to interface with a single host request host bus, this pin is the host request output ( $\overline{\text{HREQ}}/\text{HREQ}$ ). The polarity of the host request is programmable. The host request may be programmed as a driven or open-drain output.
$\overline{\text{HTRQ}}/\text{HTRQ}$	Output	<b>Transmit Host Request<sup>3</sup></b> When the HDI16 is programmed to interface with a double host request host bus, this pin is the transmit host request output ( $\overline{\text{HTRQ}}/\text{HTRQ}$ ). The signal can be programmed as driven or open drain. The polarity of the host request is programmable.

**Table 1-5. System Bus, HDI16, and Interrupt Signals (Continued)**

Signal	Data Flow	Description
D56	Input/Output	<b>Data Bus Bit 56</b> In write transactions the bus master drives the valid data on this pin. In read transactions the slave drives the valid data on this pin.
$\overline{\text{HACK}}$ /HACK	Output	<b>Host Acknowledge<sup>3</sup></b> When the HDI16 is programmed to interface with a single host request host bus, this pin is the host acknowledge Schmitt trigger input (HACK). The polarity of the host acknowledge is programmable.
$\overline{\text{HRRQ}}$ /HRRQ	Output	<b>Receive Host Request<sup>3</sup></b> When the HDI16 is programmed to interface with a double host request host bus, this pin is the receive host request output ( $\overline{\text{HRRQ}}$ /HRRQ). The signal can be programmed as driven or open drain. The polarity of the host request is programmable.
D57	Input/Output	<b>Data Bus Bit 57</b> In write transactions the bus master drives the valid data on this pin. In read transactions the slave drives the valid data on this pin.
HDSP	Input	<b>Host Data Strobe Polarity<sup>3</sup></b> When the HDI16 interface is enabled, this pin is the host data strobe polarity (HDSP).
D58	Input/Output	<b>Data Bus Bit 58</b> In write transactions the bus master drives the valid data on this pin. In read transactions the slave drives the valid data on this pin.
HDDS	Input	<b>Host Dual Data Strobe<sup>3</sup></b> When the HDI16 interface is enabled, this pin is the host dual data strobe (HDDS).
D59	Input/Output	<b>Data Bus Bit 59</b> In write transactions the bus master drives the valid data on this pin. In read transactions the slave drives the valid data on this pin.
H8BIT	Input	<b>H8BIT<sup>3</sup></b> When the HDI16 interface is enabled, this bit determines if the interface is in 8-bit or 16-bit mode.
D60	Input/Output	<b>Data Bus Bit 60</b> In write transactions the bus master drives the valid data on this pin. In read transactions the slave drives the valid data on this pin.
$\overline{\text{HCS2}}$	Input	<b>Host Chip Select<sup>3</sup></b> When the HDI16 interface is enabled, this is one of the two chip-select pins. The HDI16 chip select is a logical OR of HCS1 and HCS2.
D[61–63]	Input/Output	<b>Data Bus Bits 61–63</b> Used only in 60x-mode-only mode. In write transactions the bus master drives the valid data on this bus. In read transactions the slave drives the valid data on this bus.
Reserved		These dedicated signals are reserved when the HDI16 is enabled. <sup>3</sup>
Reserved	Input	The primary configuration is reserved.
DP0	Input/Output	<b>Data Parity 0<sup>1</sup></b> The agent that drives the data bus also drives the data parity signals. The value driven on the data parity zero pin should give odd parity (odd number of ones) on the group of signals that includes data parity 0 and D[0–7].
$\overline{\text{EXT\_BR2}}$	Input	<b>External Bus Request 2<sup>1,2</sup></b> An external master asserts this pin to request bus ownership from the internal arbiter.

**Table 1-5.** System Bus, HDI16, and Interrupt Signals (Continued)

Signal	Data Flow	Description
$\overline{\text{IRQ1}}$	Input	<b>Interrupt Request 1<sup>1</sup></b> One of eight external lines that can request a service routine, via the internal interrupt controller, from the SC140 core.
DP1	Input/Output	<b>Data Parity 1<sup>1</sup></b> The agent that drives the data bus also drives the data parity signals. The value driven on the data parity one pin should give odd parity (odd number of ones) on the group of signals that includes data parity 1 and D[8–15].
$\overline{\text{EXT\_BG2}}$	Output	<b>External Bus Grant 2<sup>1,2</sup></b> The MSC8103 asserts this pin to grant bus ownership to an external bus master.
$\overline{\text{IRQ2}}$	Input	<b>Interrupt Request 2<sup>1</sup></b> One of eight external lines that can request a service routine, via the internal interrupt controller, from the SC140 core.
DP2	Input/Output	<b>Data Parity 2<sup>1</sup></b> The agent that drives the data bus also drives the data parity signals. The value driven on the data parity two pin should give odd parity (odd number of ones) on the group of signals that includes data parity 2 and D[16–23].
$\overline{\text{EXT\_DBG2}}$	Output	<b>External Data Bus Grant 2<sup>1,2</sup></b> The MSC8103 asserts this pin to grant data bus ownership to an external bus master.
$\overline{\text{IRQ3}}$	Input	<b>Interrupt Request 3<sup>1</sup></b> One of eight external lines that can request a service routine, via the internal interrupt controller, from the SC140 core.
DP3	Input/Output	<b>Data Parity 3<sup>1</sup></b> The agent that drives the data bus also drives the data parity signals. The value driven on the data parity three pin should give odd parity (odd number of ones) on the group of signals that includes data parity 3 and D[24–31].
$\overline{\text{EXT\_BR3}}$	Input	<b>External Bus Request 3<sup>1,2</sup></b> An external master asserts this pin to request bus ownership from the internal arbiter.
$\overline{\text{IRQ4}}$	Input	<b>Interrupt Request 4<sup>1</sup></b> One of eight external lines that can request a service routine, via the internal interrupt controller, from the SC140 core.
DP4	Input/Output	<b>Data Parity 4<sup>1</sup></b> The agent that drives the data bus also drives the data parity signals. The value driven on the data parity four pin should give odd parity (odd number of ones) on the group of signals that includes data parity 4 and D[32–39].
DREQ3	Input	<b>DMA Request 3<sup>1</sup></b> An external peripheral uses this pin to request DMA service.
$\overline{\text{EXT\_BG3}}$	Output	<b>External Bus Grant 3<sup>1,2</sup></b> The MSC8103 asserts this pin to grant bus ownership to an external bus master.

**Table 1-5. System Bus, HDI16, and Interrupt Signals (Continued)**

Signal	Data Flow	Description
$\overline{\text{IRQ5}}$	Input	<b>Interrupt Request 5<sup>1</sup></b> One of eight external lines that can request a service routine, via the internal interrupt controller, from the SC140 core.
DP5	Input/Output	<b>Data Parity 5<sup>1</sup></b> The agent that drives the data bus also drives the data parity signals. The value driven on the data parity five pin should give odd parity (odd number of ones) on the group of signals that includes data parity 5 and D[40–47].
DREQ4	Input	<b>DMA Request 4<sup>1</sup></b> An external peripheral uses this pin to request DMA service.
$\overline{\text{EXT\_DBG3}}$	Output	<b>External Data Bus Grant 3<sup>1,2</sup></b> The MSC8103 asserts this pin to grant data bus ownership to an external bus master.
$\overline{\text{IRQ6}}$	Input	<b>Interrupt Request 6<sup>1</sup></b> One of eight external lines that can request a service routine, via the internal interrupt controller, from the SC140 core.
DP6	Input/Output	<b>Data Parity 6<sup>1</sup></b> The agent that drives the data bus also drives the data parity signals. The value driven on the data parity six pin should give odd parity (odd number of ones) on the group of signals that includes data parity 6 and D[48–55].
$\overline{\text{DACK3}}$	Output	<b>DMA Acknowledge 3<sup>1</sup></b> The DMA controller drives this output to acknowledge the DMA transaction on the bus.
$\overline{\text{IRQ7}}$	Input	<b>Interrupt Request 7<sup>1</sup></b> One of eight external lines that can request a service routine, via the internal interrupt controller, from the SC140 core.
DP7	Input/Output	<b>Data Parity 7<sup>1</sup></b> The master or slave that drives the data bus also drives the data parity signals. The value driven on the data parity seven pin should give odd parity (odd number of ones) on the group of signals that includes data parity 7 and D[56–63].
$\overline{\text{DACK4}}$	Output	<b>DMA Acknowledge<sup>1</sup></b> The DMA controller drives this output to acknowledge the DMA transaction on the bus.
$\overline{\text{TA}}$	Input/Output	<b>Transfer Acknowledge</b> Indicates that a data beat is valid on the data bus. For single beat transfers, assertion of $\overline{\text{TA}}$ indicates the termination of the transfer. For burst transfers, $\overline{\text{TA}}$ is asserted four times to indicate the transfer of four data beats with the last assertion indicating the termination of the burst transfer.
$\overline{\text{TEA}}$	Input/Output	<b>Transfer Error Acknowledge</b> Indicates a bus error. masters within the MSC8103 monitor the state of this pin. The MSC8103 internal bus monitor can assert this pin if it identifies a bus transfer that is hung.
$\overline{\text{NMI}}$	Input	<b>Non-Maskable Interrupt</b> When an external device asserts this line, the MSC8103 $\overline{\text{NMI}}$ input is asserted.
$\overline{\text{NMI\_OUT}}$	Output	<b>Non-Maskable Interrupt</b> Driven from the MSC8103 internal interrupt controller. Assertion of this output indicates that a non-maskable interrupt, pending in the MSC8103 internal interrupt controller, is waiting to be handled by an external host.
$\overline{\text{PSDVAL}}$	Input/Output	<b>Data Valid</b> Indicates that a data beat is valid on the data bus. The difference between the $\overline{\text{TA}}$ pin and $\overline{\text{PSDVAL}}$ is that the $\overline{\text{TA}}$ pin is asserted to indicate data transfer terminations while the $\overline{\text{PSDVAL}}$ signal is asserted with each data beat movement. Thus, when $\overline{\text{TA}}$ is asserted, $\overline{\text{PSDVAL}}$ is asserted, but when $\overline{\text{PSDVAL}}$ is asserted, $\overline{\text{TA}}$ is not necessarily asserted. For example when the SDMA initiates a double word (2x64 bits) transfer to a memory device that has a 32-bit port size, $\overline{\text{PSDVAL}}$ is asserted three times without $\overline{\text{TA}}$ , and finally both pins are asserted to terminate the transfer.



**Table 1-5. System Bus, HDI16, and Interrupt Signals (Continued)**

Signal	Data Flow	Description
$\overline{\text{IRQ7}}$	Input	<b>Interrupt Request 7<sup>1</sup></b> One of eight external lines that can request a service routine, via the internal interrupt controller, from the SC140 core.
$\overline{\text{INT\_OUT}}$	Output	<b>Interrupt Output<sup>1</sup></b> Driven from the MSC8103 internal interrupt controller. Assertion of this output indicates that an unmasked interrupt is pending in the MSC8103 internal interrupt controller.
<b>Notes:</b> <ol style="list-style-type: none"> <li>See the SIU chapter in the <i>MSC8103 Reference Manual</i> for details on how to configure these pins.</li> <li>When used as the bus control arbiter for the system bus, the MSC8103 can support up to three external bus masters. Each master uses its own set of Bus Request, Bus Grant, and Data Bus Grant signals (<math>\overline{\text{BR/BG/DBG}}</math>, <math>\overline{\text{EXT\_BR2/EXT\_BG2/EXT\_DBG2}}</math>, and <math>\overline{\text{EXT\_BR3/EXT\_BG3/EXT\_DBG3}}</math>). Each of these signal sets must be configured to indicate whether the external master is or is not a MSC8103 master device. See the Bus Configuration Register (BCR) description in the SIU chapter in the <i>MSC8103 Reference Manual</i> for details on how to configure these pins. The second and third set of pins is defined by EXT_xxx to indicate that they can only be used with external master devices. The first set of pins (<math>\overline{\text{BR/BG/DBG}}</math>) have a dual function. When the MSC8103 is not the bus arbiter, these signals (<math>\overline{\text{BR/BG/DBG}}</math>) are used by the MSC8103 to obtain master control of the bus.</li> <li>See the host interface (HDI16) chapter in the <i>MSC8103 Reference Manual</i> for details on how to configure these pins.</li> </ol>		

## 1.5 Memory Controller Signals

Refer to the memory controller chapter in the *MSC8103 Reference Manual (MSC8103RM/D)* for detailed information about configuring these signals.

**Table 1-6. Memory Controller Signals**

Signal	Data Flow	Description
$\overline{\text{CS}}[0-7]$	Output	<b>Chip Select</b> Enable specific memory devices or peripherals connected to MSC8103 buses.
$\overline{\text{BCTL1}}$	Output	<b>Buffer Control 1</b> Controls buffers on the data bus. Usually used with $\overline{\text{BCTL0}}$ . The exact function of this pin is defined by the value of SIUMCR[BCTLC]. See the <i>System Interface Unit (SIU)</i> chapter in the <i>MSC8103 Reference Manual</i> for details.
$\overline{\text{BADDR}}[27-28]$	Output	<b>Burst Address 27-28</b> Two of five outputs of the memory controller. These pins connect directly to memory devices controlled by the MSC8103 memory controller.
ALE	Output	<b>Address Latch Enable</b> Controls the external address latch used in external master bus configuration.
$\overline{\text{BCTL0}}$	Output	<b>Buffer Control 0</b> Controls buffers on the data bus. The exact function of this pin is defined by the value of SIUMCR[BCTLC]. See the <i>System Interface Unit (SIU)</i> chapter in the <i>MSC8103 Reference Manual</i> for details.
$\overline{\text{PWE}}[0-7]$	Output	<b>Bus Write Enable</b> Outputs of the bus General-Purpose Chip-select Machine (GPCM). These pins select byte lanes for write operations.
$\overline{\text{PSDDQM}}[0-7]$	Output	<b>Bus SDRAM DQM</b> Outputs of the SDRAM control machine. These pins select specific byte lanes of SDRAM devices.
$\overline{\text{PBS}}[0-7]$	Output	<b>Bus UPM Byte Select</b> Outputs of the User-Programmable Machine (UPM) in the memory controller. These pins select specific byte lanes during memory operations. The timing of these pins is programmed in the UPM. The actual driven value depends on the address and size of the transaction and the port size of the accessed device.

**Table 1-6. Memory Controller Signals (Continued)**

Signal	Data Flow	Description
PSDA10	Output	<b>Bus SDRAM A10</b> Output from the bus SDRAM controller. This pin is part of the address when a row address is driven. It is part of the command when a column address is driven.
PGPL0	Output	<b>Bus UPM General-Purpose Line 0</b> One of six general-purpose output lines of the UPM. The values and timing of this pin are programmed in the UPM.
$\overline{\text{PSDWE}}$	Output	<b>Bus SDRAM Write Enable</b> Output from the bus SDRAM controller. This pin should connect to the SDRAM WE input signal.
PGPL1	Output	<b>Bus UPM General-Purpose Line 1</b> One of six general-purpose output lines from the UPM. The values and timing of this pin are programmed in the UPM.
$\overline{\text{POE}}$	Output	<b>Bus Output Enable</b> Output of the bus GPCM. Controls the output buffer of memory devices during read operations.
$\overline{\text{PSDRAS}}$	Output	<b>Bus SDRAM RAS</b> Output from the bus SDRAM controller. This pin should connect to the SDRAM Row Address Strobe (RAS) input signal.
PGPL2	Output	<b>Bus UPM General-Purpose Line 2</b> One of six general-purpose output lines from the UPM. The values and timing of this pin are programmed in the UPM.
$\overline{\text{PSDCAS}}$	Output	<b>Bus SDRAM CAS</b> Output from the bus SDRAM controller. This pin should connect to the SDRAM Column Address Strobe (CAS) input signal.
PGPL3	Output	<b>Bus UPM General-Purpose Line 3</b> One of six general-purpose output lines from the UPM. The values and timing of this pin are programmed in the UPM.
$\overline{\text{PGTA}}$	Input	<b>GPCM TA</b> Terminates transactions during GPCM operation. Requires an external pull up resistor for proper operation.
PUPMWAIT	Input	<b>Bus UPM Wait</b> Input to the UPM. An external device can hold this pin high to force the UPM to wait until the device is ready for the operation to continue.
$\overline{\text{PPBS}}$	Output	<b>Bus Parity Byte Select</b> In systems that store data parity in a separate chip, this output is the byte-select for that chip.
PGPL4	Output	<b>Bus UPM General-Purpose Line 4</b> One of six general-purpose output lines from the UPM. The values and timing of this pin are programmed in the UPM.
PSDAMUX	Output	<b>Bus SDRAM Address Multiplexer</b> Controls the SDRAM address multiplexer when the MSC8103 is in External Master mode.
PGPL5	Output	<b>Bus UPM General-Purpose Line 5</b> One of six general-purpose output lines from the UPM. The values and timing of this pin are programmed in the UPM.

## 1.6 CPM Ports

The MSC8103 CPM supports the subset of MPC8260 signals as described below.

- The MSC8103 CPM includes the following set of communication controllers:
- Two full-duplex fast serial communications controllers (FCCs) that support:
  - Asynchronous transfer mode (ATM) through a UTOPIA 8 interface (FCC1 only)—The MSC8103 can operate as one of the following:
    - UTOPIA slave device
    - UTOPIA multi-PHY master device using direct polling for up to 4 PHY devices
    - UTOPIA multi-PHY master device using multiplex polling that can address up to 31 PHY devices at addresses 0–30 (address 31 is reserved as a null port).
  - IEEE 802.3/Fast Ethernet through a Media-Independent Interface (MII)
  - High-level data link control (HDLC) Protocol:
    - Serial mode—Transfers data one bit at a time
    - Nibble mode—Transfers data four bits at a time
  - Transparent mode serial operation
- One FCC that operates with the TSA only
- Two multi-channel controllers (MCCs) that together can handle up to 256 HDLC/transparent channels at 64 Kbps each, multiplexed on up to four TDM interfaces
- Two full-duplex serial communications controllers (SCCs) that support the following protocols:
  - IEEE 802.3/fast Ethernet through a media-independent interface (MII)
  - HDLC Protocol:
    - Serial mode—Transfers data one bit at a time
    - Nibble mode—Transfers data four bits at a time
  - Synchronous data link control (SDLC)
  - LocalTalk (HDLC-based local area network protocol)
  - Universal asynchronous receiver/transmitter (UART)
  - Synchronous UART (1x clock mode)
  - Binary synchronous (BISYNC) communication
  - Transparent mode serial operation
- Two additional SCCs that operate with the TSA only
- Two full-duplex serial management controllers (SMCs) that support the following protocols:
  - General circuit interface (GCI)/integrated services digital network (ISDN) monitor and C/I channels (TSA only)
  - UART
  - Transparent mode serial operation
- Serial peripheral interface (SPI) support for master or slave operation
- Inter-integrated circuit (I<sup>2</sup>C) bus controller
- Time-slot assigner (TSA) that supports multiplexing from any of the SCCs, FCCs, SMCs, and two MCCs onto four time-division multiplexed (TDM) interfaces. The TSA uses two serial interfaces (SI1 and SI2). SI1 uses TDMA1 which supports both serial and nibble mode. SI2 does not support nibble mode and includes TDMB2, TDMC2, and TDMD2, which operate only in serial mode.

The individual sets of external signals associated with a specific protocol and data transfer mode are multiplexed across any or all of the ports, as shown in **Figure 1-2**. The following sections describe the signals supported by Ports A–D.

## 1.6.1 Port A Signals

Table 1-7. Port A Signals

Name		Dedicated I/O Data Direction	Description
General-Purpose I/O	Peripheral Controller: Dedicated Signal Protocol		
PA31	FCC1: $\overline{\text{TXENB}}$ <i>UTOPIA master</i>	Output	<b>FCC1: UTOPIA Master Transmit Enable</b> Asserted by the MSC8103 (UTOPIA master PHY) when there is valid transmit cell data (TXD[0–7]).
	FCC1: $\overline{\text{TXENB}}$ <i>UTOPIA slave</i>	Input	<b>FCC1: UTOPIA Slave Transmit Enable</b> Asserted by an external UTOPIA master PHY when there is valid transmit cell data (TXD[0–7]).
	FCC1: COL <i>MII</i>	Input	<b>FCC1: Media Independent Interface Collision Detect</b> Asserted by an external fast Ethernet PHY when collision is detected.
PA30	FCC1: TXCLAV <i>UTOPIA slave</i>	Output	<b>FCC1: UTOPIA Slave Transmit Cell Available</b> Asserted by the MSC8103 (UTOPIA slave PHY) when the MSC8103 can accept one complete ATM cell.
	FCC1: TXCLAV <i>UTOPIA master, or</i>	Input	<b>FCC1: UTOPIA Master Transmit Cell Available</b> Asserted by an external UTOPIA slave PHY to indicate that it can accept one complete ATM cell.
	FCC1: TXCLAV0 <i>UTOPIA master, Multi-PHY, direct polling</i>	Input	<b>FCC1: UTOPIA Master Transmit Cell Available Multi-PHY Direct Polling</b> Asserted by an external UTOPIA slave PHY using direct polling to indicate that it can accept one complete ATM cell.
	FCC1: $\overline{\text{RTS}}$ <i>HDLC, Serial and Nibble</i>	Output	<b>FCC1: Request To Send</b> In the standard modem interface signals supported by FCC1 ( $\overline{\text{RTS}}$ , $\overline{\text{CTS}}$ , and $\overline{\text{CD}}$ ). $\overline{\text{RTS}}$ is asynchronous with the data. $\overline{\text{RTS}}$ is typically used in conjunction with $\overline{\text{CD}}$ . The MSC8103 FCC1 transmitter requests the receiver to send data by asserting $\overline{\text{RTS}}$ low. The request is accepted when $\overline{\text{CTS}}$ is returned low.
FCC1: CRS <i>MII</i>	Input	<b>FCC1: Media Independent Interface Carrier Sense</b> Asserted by an external fast Ethernet PHY to indicate activity on the cable.	
PA29	FCC1: TXSOC <i>UTOPIA master</i>	Output	<b>FCC1: UTOPIA Transmit Start of Cell</b> Asserted by the MSC8103 (UTOPIA master PHY) when TXD[0–7] contains the first valid byte of the cell.
	FCC1: TX_ER <i>MII</i>	Output	<b>FCC1: Media Independent Interface Transmit Error</b> Asserted by the MSC8103 to force propagation of transmit errors.
PA28	FCC1: $\overline{\text{RXENB}}$ <i>UTOPIA master</i>	Output	<b>FCC1: UTOPIA Master Receive Enable</b> Asserted by the MSC8103 (UTOPIA master PHY) to indicate that RXD[0–7] and RXSOC are to be sampled at the end of the next cycle. RXD[0–7] and RXSOC are enabled only in cycles following those with $\overline{\text{RXENB}}$ asserted.
	FCC1: $\overline{\text{RXENB}}$ <i>UTOPIA slave</i>	Input	<b>FCC1: UTOPIA Master Receive Enable</b> Asserted by an external PHY to indicate that RXD[0–7] and RXSOC is to be sampled at the end of the next cycle. RXD[0–7] and RXSOC are enabled only in cycles following those with $\overline{\text{RXENB}}$ asserted.
	FCC1: TX_EN <i>MII</i>	Output	<b>FCC1: Media Independent Interface Transmit Enable</b> Asserted by the MSC8103 when transmitting data.

Table 1-7. Port A Signals (Continued)

Name		Dedicated I/O Data Direction	Description
General-Purpose I/O	Peripheral Controller: Dedicated Signal Protocol		
PA27	FCC1: RXSOC <i>UTOPIA slave</i>	Output	<b>FCC1: UTOPIA Receive Start of Cell</b> Asserted by the MSC8103 (UTOPIA slave) for an external PHY when RXD[0–7] contains the first valid byte of the cell.
	FCC1: RX_DV <i>MII</i>	Input	<b>FCC1: Media Independent Interface Receive Data Valid</b> Asserted by an external fast Ethernet PHY to indicate that valid data is being sent. The presence of carrier sense but not RX_DV indicates reception of broken packet headers, probably due to bad wiring or a bad circuit.
PA26	FCC1: RXCLAV <i>UTOPIA slave</i>	Output	<b>FCC1: UTOPIA Slave Receive Cell Available</b> Asserted by the MSC8103 (UTOPIA slave PHY) when one complete ATM cell is available for transfer.
	FCC1: RXCLAV <i>UTOPIA master, or</i>	Input	<b>FCC1: UTOPIA Master Receive Cell Available</b> Asserted by an external PHY when one complete ATM cell is available for transfer.
	RXCLAV0 <i>UTOPIA master, Multi-PHY, direct polling</i>	Input	<b>FCC1: UTOPIA Master Receive Cell Available 0 Direct Polling</b> Asserted by an external PHY when one complete ATM cell is available for transfer.
	FCC1: RX_ER <i>MII</i>	Input	<b>FCC1: Media Independent Interface Receive Error</b> Asserted by an external fast Ethernet PHY to indicate a receive error, which often indicates bad wiring.
PA25	FCC1: TXD0 <i>UTOPIA</i>	Output	<b>FCC1: UTOPIA Transmit Data Bit 0</b> The MSC8103 outputs ATM cell octets (UTOPIA interface data) on TXD[0–7]. TXD0 is the least significant bit. When no ATM data is available, idle cells are inserted. A cell is 53 bytes.
	SDMA: MSNUM0	Output	<b>Module Serial Number Bit 0</b> The MSNUM has 6 bits that identify devices using the serial DMA (SDMA) modules. MSNUM[0–4] is the sub-block code of the current peripheral controller using SDMA. MSNUM5 indicates the section, transmit (0) or receive (1), that is active during the transfer. The information is recorded in the SDMA transfer error registers.
PA24	FCC1: TXD1 <i>UTOPIA</i>	Output	<b>FCC1: UTOPIA Transmit Data Bit 1</b> The MSC8103 outputs ATM cell octets (UTOPIA interface data) on TXD[0–7]. This is bit 1 of the transmit data. TXD7 is the most significant bit. When no ATM data is available, idle cells are inserted. A cell is 53 bytes.
	SDMA: MSNUM1	Output	<b>Module Serial Number Bit 1</b> The MSNUM has 6 bits that identify devices using the serial DMA (SDMA) modules. MSNUM[0–4] is the sub-block code of the current peripheral controller using SDMA. MSNUM5 indicates the section, transmit (0) or receive (1), that is active during the transfer. The information is recorded in the SDMA transfer error registers.
PA23	FCC1: TXD2 <i>UTOPIA</i>	Output	<b>FCC1: UTOPIA Transmit Data Bit 2</b> The MSC8103 outputs ATM cell octets (UTOPIA interface data) on TXD[0–7]. This is bit 2 of the transmit data. TXD7 is the most significant bit. When no ATM data is available, idle cells are inserted. A cell is 53 bytes.

**Table 1-7. Port A Signals (Continued)**

Name		Dedicated I/O Data Direction	Description
General-Purpose I/O	Peripheral Controller: Dedicated Signal Protocol		
PA22	FCC1: TXD3 <i>UTOPIA</i>	Output	<b>FCC1: UTOPIA Transmit Data Bit 3</b> The MSC8103 outputs ATM cell octets (UTOPIA interface data) on TXD[0–7]. This is bit 3 of the transmit data. TXD7 is the most significant bit. When no ATM data is available, idle cells are inserted. A cell is 53 bytes.
PA21	FCC1: TXD4 <i>UTOPIA</i>	Output	<b>FCC1: UTOPIA Transmit Data Bit 4</b> The MSC8103 outputs ATM cell octets (UTOPIA interface data) on TXD[0–7]. This is bit 4 of the transmit data. TXD7 is the most significant bit. When no ATM data is available, idle cells are inserted. A cell is 53 bytes.
	FCC1: TXD3 <i>MII and HDLC nibble</i>	Output	<b>FCC1: MII and HDLC Nibble Transmit Data Bit 3</b> TXD[3–0] supports MII and HDLC nibble modes in FCC1. TXD3 is the most significant bit.
PA20	FCC1: TXD5 <i>UTOPIA</i>	Output	<b>FCC1: UTOPIA Transmit Data Bit 5</b> The MSC8103 outputs ATM cell octets (UTOPIA interface data) on TXD[0–7]. This is bit 5 of the transmit data. TXD7 is the most significant bit. When no ATM data is available, idle cells are inserted. A cell is 53 bytes.
	FCC1: TXD2 <i>MII and HDLC nibble</i>	Output	<b>FCC1: MII and HDLC Nibble Transmit Data Bit 2</b> TXD[3–0] is supported by MII and HDLC nibble modes in FCC1. This is bit 2 of the transmit data. TXD3 is the most significant bit.
PA19	FCC1: TXD6 <i>UTOPIA</i>	Output	<b>FCC1: UTOPIA Transmit Data Bit 6</b> The MSC8103 outputs ATM cell octets (UTOPIA interface data) on TXD[0–7]. This is bit 6 of the transmit data. TXD7 is the most significant bit. When no ATM data is available, idle cells are inserted. A cell is 53 bytes.
	FCC1: TXD1 <i>MII and HDLC nibble</i>	Output	<b>FCC1: MII and HDLC Nibble Transmit Data Bit 1</b> TXD[3–0] is supported by MII and HDLC transparent nibble modes in FCC1. This is bit 1 of the transmit data. TXD3 is the most significant bit.
PA18	FCC1: TXD7 <i>UTOPIA</i>	Output	<b>FCC1: UTOPIA Transmit Data Bit 7.</b> The MSC8103 outputs ATM cell octets (UTOPIA interface data) on TXD[0–7]. TXD7 is the most significant bit. When no ATM data is available, idle cells are inserted. A cell is 53 bytes.
	FCC1: TXD0 <i>MII and HDLC nibble</i>	Output	<b>FCC1: MII and HDLC Nibble Transmit Data Bit 0</b> TXD[3–0] is supported by MII and HDLC nibble modes in FCC1. TXD0 is the least significant bit.
	FCC1: TXD <i>HDLC serial and transparent</i>	Output	<b>FCC1: HDLC Serial and Transparent Transmit Data Bit</b> This is the single transmit data bit in supported by HDLC serial and transparent modes.

Table 1-7. Port A Signals (Continued)

Name		Dedicated I/O Data Direction	Description
General-Purpose I/O	Peripheral Controller: Dedicated Signal Protocol		
PA17	FCC1: RXD7 <i>UTOPIA</i>	Input	<b>FCC1: UTOPIA Receive Data Bit 7.</b> The MSC8103 inputs ATM cell octets (UTOPIA interface data) on RXD[0–7]. RXD7 is the most significant bit. When no ATM data is available, idle cells are inserted. A cell is 53 bytes. To support <u>Multi-PHY</u> configurations, RXD[0–7] is tri-stated, enabled only when RXENB is asserted.
	FCC1: RXD0 <i>MII and HDLC nibble</i>	Input	<b>FCC1: MII and HDLC Nibble Receive Data Bit 0</b> RXD[3–0] is supported by MII and HDLC nibble mode in FCC1. RXD0 is the least significant bit.
	FCC1: RXD <i>HDLC serial and transparent</i>	Input	<b>FCC1: HDLC Serial and Transparent Receive Data Bit</b> This is the single receive data bit supported by HDLC and transparent modes.
PA16	FCC1: RXD6 <i>UTOPIA</i>	Input	<b>FCC1: UTOPIA Receive Data Bit 6.</b> The MSC8103 inputs ATM cell octets (UTOPIA interface data) on RXD[0–7]. This is bit 6 of the receive data. RXD7 is the most significant bit. When no ATM data is available, idle cells are inserted. A cell is 53 bytes. To support <u>Multi-PHY</u> configurations, RXD[0–7] is tri-stated, enabled only when RXENB is asserted.
	FCC1: RXD1 <i>MII and HDLC nibble</i>	Input	<b>FCC1: MII and HDLC Nibble Receive Data Bit 1</b> This is bit 1 of the receive nibble data. RXD3 is the most significant bit.
PA15	FCC1: RXD5 <i>UTOPIA</i>	Input	<b>FCC1: UTOPIA Receive Data Bit 5</b> The MSC8103 inputs ATM cell octets (UTOPIA interface data) on RXD[0–7]. This is bit 5 of the receive data. RXD7 is the most significant bit. When no ATM data is available, idle cells are inserted. A cell is 53 bytes. To support <u>Multi-PHY</u> configurations, RXD[0–7] is tri-stated, enabled only when RXENB is asserted.
	RXD2 <i>MII and HDLC nibble</i>	Input	<b>FCC1: MII and HDLC Nibble Receive Data Bit 2</b> This is bit 2 of the receive nibble data. RXD3 is the most significant bit.
PA14	FCC1: RXD4 <i>UTOPIA</i>	Input	<b>FCC1: UTOPIA Receive Data Bit 4.</b> The MSC8103 inputs ATM cell octets (UTOPIA interface data) on RXD[0–7]. RXD7 is the most significant bit. RXD0 is the least significant bit. When no ATM data is available, idle cells are inserted. A cell is 53 bytes. To support <u>Multi-PHY</u> configurations, RXD[0–7] is tri-stated, enabled only when RXENB is asserted.
	FCC1: RXD3 <i>MII and HDLC nibble</i>	Input	<b>FCC1: MII and HDLC Nibble Receive Data Bit 3</b> RXD3 is the most significant bit of the receive nibble bit.
PA13	FCC1: RXD3 <i>UTOPIA</i>	Input	<b>FCC1: UTOPIA Receive Data Bit 3</b> The MSC8103 inputs ATM cell octets (UTOPIA interface data) on RXD[0–7]. RXD7 is the most significant bit. RXD0 is the least significant bit. A cell is 53 bytes. To support <u>Multi-PHY</u> configurations, RXD[0–7] is tri-stated, enabled only when RXENB is asserted.
	SDMA: MSNUM2	Output	<b>Module Serial Number Bit 2</b> The MSNUM has 6 bits that identify devices using the serial DMA (SDMA) modules. MSNUM[0–4] is the sub-block code of the current peripheral controller using SDMA. MSNUM5 indicates the section, transmit (0) or receive (1), that is active during the transfer. The information is recorded in the SDMA transfer error registers.



**Table 1-7. Port A Signals (Continued)**

Name		Dedicated I/O Data Direction	Description
General-Purpose I/O	Peripheral Controller: Dedicated Signal Protocol		
PA12	FCC1: RXD2 <i>UTOPIA</i>	Input	<b>FCC1: UTOPIA Receive Data Bit 2</b> The MSC8103 inputs ATM cell octets (UTOPIA interface data) on RXD[0–7]. This is bit 2 of the receive data. RXD7 is the most significant bit. A cell is 53 bytes. To support <u>Multi-PHY</u> configurations, RXD[0–7] is tri-stated, enabled only when RXENB is asserted.
	SDMA: MSNUM3	Output	<b>Module Serial Number Bit 3</b> The MSNUM has 6 bits that identify devices using the serial DMA (SDMA) modules. MSNUM[0–4] is the sub-block code of the current peripheral controller using SDMA. MSNUM5 indicates the section, transmit (0) or receive (1), that is active during the transfer. The information is recorded in the SDMA transfer error registers.
PA11	FCC1: RXD1 <i>UTOPIA</i>	Input	<b>FCC1: UTOPIA RX Receive Data Bit 1</b> The MSC8103 inputs ATM cell octets (UTOPIA interface data) on RXD[0–7]. This is bit 1 of the receive data. RXD7 is the most significant bit. A cell is 53 bytes. To support <u>Multi-PHY</u> configurations, RXD[0–7] is tri-stated, enabled only when RXENB is asserted.
	SDMA: MSNUM4	Output	<b>Module Serial Number Bit 4</b> The MSNUM has 6 bits that identify devices using the serial DMA (SDMA) modules. MSNUM[0–4] is the sub-block code of the current peripheral controller using SDMA. MSNUM5 indicates the section, transmit (0) or receive (1), that is active during the transfer. The information is recorded in the SDMA transfer error registers.
PA10	FCC1: RXD0 <i>UTOPIA</i>	Input	<b>FCC1: UTOPIA RX Receive Data Bit 0</b> The MSC8103 inputs ATM cell octets (UTOPIA interface data) on RXD[0–7]. RXD0 is the least significant bit of the receive data. A cell is 53 bytes. To support <u>Multi-PHY</u> configurations, RXD[0–7] is tri-stated, enabled only when RXENB is asserted.
	SDMA: MSNUM5	Output	<b>Module Serial Number Bit 5</b> The MSNUM has 6 bits that identify devices using the serial DMA (SDMA) modules. MSNUM[0–4] is the sub-block code of the current peripheral controller using SDMA. MSNUM5 indicates the section, transmit (0) or receive (1), that is active during the transfer. The information is recorded in the SDMA transfer error registers.
PA9	SMC2: SMTXD	Output	<b>SMC2: Serial Management Transmit Data</b> The SMC interface consists of SMTXD, SMRXD, <u>SMSYN</u> , and a clock. Not all signals are used for all applications. SMCs are full-duplex ports that supports three protocols or modes: UART, transparent, or general-circuit interface (GCI). See also PC15.
	SI1 TDMA1: L1TXD0 <i>TDM nibble</i>	Output	<b>Time-Division Multiplexing A1: Layer 1 Transmit Data Bit 0</b> L1TXD0 is the least significant bit of the TDM nibble data.
PA8	SMC2: SMRXD	Input	<b>SMC2: Serial Management Receive Data</b> The SMC interface consists of SMTXD, SMRXD, <u>SMSYN</u> , and a clock. Not all signals are used for all applications. SMCs are full-duplex ports that supports three protocols or modes: UART, transparent, or general-circuit interface (GCI).
	SI1 TDMA1: L1RXD0 <i>TDM nibble</i>	Input	<b>Time-Division Multiplexing A1: Layer 1 Nibble Receive Data Bit 0</b> L1RXD0 is the least significant bit received in nibble mode.
	SI1 TDMA1: L1RXD <i>TDM serial</i>	Input	<b>Time-Division Multiplexing A1: Layer 1 Serial Receive Data</b> TDMA1 receives serial data from L1RXD.



Table 1-7. Port A Signals (Continued)

Name		Dedicated I/O Data Direction	Description
General-Purpose I/O	Peripheral Controller: Dedicated Signal Protocol		
PA7	SMC2: SMSYN	Input	<b>SMC2: Serial Management Synchronization</b> The SMC interface consists of SMTXD, SMRXD, SMSYN, and a clock. Not all signals are used for all applications. SMCs are full-duplex ports that supports three protocols or modes: UART, transparent, or general-circuit interface (GCI).
	SI1 TDMA1: L1TSYNC <i>TDM nibble and TDM serial</i>	Input	<b>Time-Division Multiplexing A1: Layer 1 Transmit Synchronization</b> The synchronizing signal for the transmit channel. See the <i>Serial Interface with time-slot assigner</i> chapter in the <i>MSC8103 Reference Manual</i> .
PA6	SI1 TDMA1: L1RSYNC <i>TDM nibble and TDM serial</i>	Input	<b>Time-Division Multiplexing A1: Layer 1 Receive Synchronization.</b> The synchronizing signal for the receive channel.

## 1.6.2 Port B Signals

Table 1-8. Port B Signals

Name		Dedicated I/O Data Direction	Description
General-Purpose I/O	Peripheral Controller: Dedicated I/O Protocol		
PB31	FCC2: TX_ER <i>MII</i>	Output	<b>FCC2: Media Independent Interface Transmit Error</b> Asserted by the MSC8103 to force propagation of transmit errors.
	SCC2: RXD	Input	<b>SCC2: Receive Data</b> SCC2 receives serial data from RXD.
	SI2 TDMB2: L1TXD <i>TDM serial</i>	Output	<b>Time-Division Multiplexing B2: Layer 1 Transmit Data</b> TDMB2 transmits serial data out of L1TXD.
PB30	SCC2: TXD	Output	<b>SCC2: Transmit Data.</b> SCC2 transmits serial data out of TXD.
	FCC2: RX_DV <i>MII</i>	Input	<b>FCC2: Media Independent Interface Receive Data Valid</b> Asserted by an external fast Ethernet PHY to indicate that valid data is being sent. The presence of carrier sense, but not RX_DV, indicates reception of broken packet headers, probably due to bad wiring or a bad circuit.
	SI2 TDMB2: L1RXD <i>TDM serial</i>	Input	<b>Time-Division Multiplexing B2: Layer 1 Receive Data</b> TDMB2 receives serial data from L1RXD.
PB29	FCC2: TX_EN <i>MII</i>	Output	<b>FCC2: Media Independent Interface Transmit Enable</b> Asserted by the MSC8103 when transmitting data.
	SI2 TDMB2: L1RSYNC <i>TDM serial</i>	Input	<b>Time-Division Multiplexing B2: Layer 1 Receive Synchronization</b> The synchronizing signal for the receive channel.

**Table 1-8. Port B Signals (Continued)**

Name		Dedicated I/O Data Direction	Description
General-Purpose I/O	Peripheral Controller: Dedicated I/O Protocol		
PB28	FCC2: $\overline{\text{RTS}}$ <i>HDLC serial, HDLC nibble, and transparent</i>	Output	<b>FCC2: Request to Send</b> One of the standard modem interface signals supported by FCC2 ( $\overline{\text{RTS}}$ , $\overline{\text{CTS}}$ , and $\overline{\text{CD}}$ ). $\overline{\text{RTS}}$ is asynchronous with the data. $\overline{\text{RTS}}$ is typically used in conjunction with $\overline{\text{CD}}$ . The MSC8103 FCC2 transmitter requests the receiver to send data by asserting $\overline{\text{RTS}}$ low. The request is accepted when $\overline{\text{CTS}}$ is returned low.
	FCC2: RX_ER <i>MII</i>	Input	<b>FCC2: Media Independent Interface Receive Error</b> Asserted by an external fast Ethernet PHY to indicate a receive error, which often indicates bad wiring.
	SCC2: $\overline{\text{RTS}}$ , TENA	Output	<b>SCC2: Request to Send, Transmit Enable</b> Typically used in conjunction with $\overline{\text{CD}}$ supported by SCC2. The MSC8103 SCC2 transmitter requests the receiver to send data by asserting $\overline{\text{RTS}}$ low. The request is accepted when $\overline{\text{CTS}}$ is returned low. TENA is the signal used in Ethernet mode.
	SI2 TDMB2: L1TSYNC <i>TDM serial</i>	Input	<b>Time-Division Multiplexing B2: Layer 1 Transmit Synchronization</b> The synchronizing signal for the transmit channel. See the serial interface with time-slot assigner chapter in the <i>MSC8103 Reference Manual</i> .
PB27	FCC2: COL <i>MII</i>	Input	<b>FCC2: Media Independent Interface Collision Detect</b> Asserted by an external fast Ethernet PHY when a collision is detected.
	SI2 TDMC2: L1TXD <i>TDM serial</i>	Output	<b>Time-Division Multiplexing C2: Layer 1 Transmit Data</b> TDMC2 transmits serial data out of L1TXD.
PB26	FCC2: CRS <i>MII</i>	Input	<b>FCC2: Media Independent Interface Carrier Sense Input</b> Asserted by an external fast Ethernet PHY to indicate activity on the cable.
	SI2 TDMC2: L1RXD <i>TDM serial</i>	Input	<b>Time-Division Multiplexing C2: Layer 1 Receive Data</b> TDMC2 receives serial data from L1RXD.
PB25	FCC2: TXD3 <i>MII and HDLC nibble</i>	Output	<b>FCC2: MII and HDLC Nibble Transmit Data Bit 3</b> TXD3 is bit 3 and the most significant bit of the transmit data nibble.
	SI1 TDMA1: L1TXD3 <i>TDM nibble</i>	Output	<b>Time-Division Multiplexing A1: Nibble Layer 1 Transmit Data Bit 3</b> L1TXD3 is bit 3 and the most significant bit of the transmit data nibble.
	SI2 TDMC2: L1TSYNC <i>TDM serial</i>	Input	<b>Time-Division Multiplexing C2: Layer 1 Transmit Synchronization</b> The synchronizing signal for the transmit channel. See the <i>Serial Interface with Time-Slot Assigner</i> chapter in the <i>MSC8103 Reference Manual</i> .
PB24	FCC2: TXD2 <i>MII and HDLC nibble</i>	Output	<b>FCC2: MII and HDLC Nibble: Transmit Data Bit 2</b> TXD2 is bit 2 of the transmit data nibble.
	SI1 TDMA1: L1RXD3 <i>nibble</i>	Input	<b>Time-Division Multiplexing A1: Nibble Layer 1 Receive Data Bit 3</b> L1RXD3 is bit 3 and the most significant bit of the receive data nibble.
	SI2 TDMC2: L1RSYNC <i>serial</i>	Input	<b>Time-Division Multiplexing C2: Layer 1 Receive Synchronization</b> The synchronizing signal for the receive channel.

Table 1-8. Port B Signals (Continued)

Name		Dedicated I/O Data Direction	Description
General-Purpose I/O	Peripheral Controller: Dedicated I/O Protocol		
PB23	FCC2: TXD1 <i>MII and HDLC nibble</i>	Output	<b>FCC2: MII and HDLC Nibble: Transmit Data Bit 1</b> TXD1 is bit 1 of the transmit data nibble.
	SI1 TDMA1: L1RXD2 <i>TDM nibble</i>	Input	<b>Time-Division Multiplexing A1: Nibble Layer 1 Receive Data Bit 2</b> L1RXD2 is bit 2 of the receive data nibble.
	SI2 TDMD2: L1TXD <i>TDM serial</i>	Output	<b>Time-Division Multiplexing D2: Layer 1 Transmit Data</b> TDMA1 transmits serial data out of L1TXD.
PB22	FCC2: TXD0 <i>MII and HDLC nibble</i>	Output	<b>FCC2: MII and HDLC Nibble Transmit Data Bit 0</b> TXD0 is bit 0 and the least significant bit of the transmit data nibble.
	FCC2: TXD <i>HDLC serial and transparent</i>	Output	<b>FCC2: HDLC Serial and Transparent Transmit Data</b> Serial data is transmitted via TXD.
	SI1 TDMA1: L1RXD1 <i>TDM nibble</i>	Input	<b>Time-Division Multiplexing A1: Nibble Layer 1 Receive Data Bit 1</b> L1RXD1 is bit 1 of the receive data nibble.
	SI2 TDMD2: L1RXD <i>TDM serial</i>	Input	<b>Time-Division Multiplexing D2: Layer 1 Receive Data</b> Serial data is received via L1RXD.
PB21	FCC2: RXD0 <i>MII and HDLC nibble</i>	Input	<b>FCC2: MII and HDLC Nibble Receive Data Bit 0</b> RXD0 is bit 0 and the least significant bit of the receive data nibble.
	FCC2: RXD <i>HDLC serial and transparent</i>	Input	<b>FCC2: HDLC Serial and Transparent Receive Data</b> Serial data is received via RXD.
	SI1 TDMA1: L1TXD2 <i>TDM nibble</i>	Output	<b>Time-Division Multiplexing A1: Nibble Layer 1 Transmit Data Bit 2</b> L1TXD2 is bit 2 of the transmit data nibble.
	SI2 TDMD2: L1TSYNC <i>TDM serial</i>	Input	<b>Time-Division Multiplexing D2: Layer 1 Transmit Synchronize Data</b> The synchronizing signal for the transmit channel. See the <i>Serial Interface with Time-Slot Assigner</i> chapter in the <i>MSC8103 Reference Manual</i> .
PB20	FCC2: RXD1 <i>MII and HDLC nibble</i>	Input	<b>FCC2: MII and HDLC Nibble: Receive Data Bit 1</b> RXD1 is bit 1 of the receive data nibble.
	SI1 TDMA1: L1TXD1 <i>TDM nibble</i>	Output	<b>Time-Division Multiplexing A1: Nibble Layer 1 Transmit Data Bit 1</b> L1TXD1 is bit 1 of the transmit data nibble.
	SI2 TDMD2: L1RSYNC <i>TDM serial</i>	Input	<b>Time-Division Multiplexing D2: Layer 1 Receive Synchronize Data</b> The synchronizing signal for the receive channel.
PB19	FCC2: RXD2 <i>MII and HDLC nibble</i>	Input	<b>FCC2: MII and HDLC Nibble Receive Data Bit 2</b> RXD2 is bit 2 of the receive data nibble.
	I <sup>2</sup> C: SDA	Input/ Output	<b>I<sup>2</sup>C: Inter-Integrated Circuit Serial Data</b> The I <sup>2</sup> C interface comprises two signals: serial data (SDA) and serial clock (SCL). The I <sup>2</sup> C controller uses a synchronous, multimaster bus that can connect several integrated circuits on a board. Clock rates run up to 520 kHz@25 MHz system clock.

**Table 1-8. Port B Signals (Continued)**

Name		Dedicated I/O Data Direction	Description
General-Purpose I/O	Peripheral Controller: Dedicated I/O Protocol		
PB18	FCC2: RXD3 <i>MII and HDLC nibble</i>	Input	<b>FCC2: MII and HDLC Nibble Receive Data Bit 3</b> RXD3 is bit 3 and the most significant bit of the receive data nibble.
	I <sup>2</sup> C: SCL	Input/Output	<b>I<sup>2</sup>C: Inter-Integrated Circuit Serial Clock</b> The I <sup>2</sup> C interface comprises two signals: serial data (SDA) and serial clock (SDA). The I <sup>2</sup> C controller uses a synchronous, multimaster bus that can connect several integrated circuits on a board. Clock rates run up to 520 kHz@25 MHz system clock.

### 1.6.3 Port C Signals

**Table 1-9. Port C Signals**

Name		Dedicated I/O Data Direction	Description
General-Purpose I/O	Peripheral Controller: Dedicated I/O Protocol		
PC31	BRG10	Output	<b>Baud-Rate Generator 1 Output</b> The CPM supports up to 8 BRGs used internally by the bank-of-clocks selection logic and/or to provide an output to one of the 8 BRG pins. BRG10 can be the internal input to the SIU timers. When CLK5 is selected (see PC27 below), it is the source for BRG10 which is the default input for the SIU timers. See the system interface unit (SIU) chapter in the <i>MSC8103 Reference Manual</i> for additional information. If CLK5 is not enabled, BRG10 uses an internal input. If TMCLK is enabled (see PC26 below), the BRG10 input to the SIU timers is disabled.
	CLK1	Input	<b>Clock 1</b> The CPM supports up to 10 clock input pins sent to the bank-of-clocks selection logic, where they can be routed to the controllers.
	TIMER1/2: $\overline{\text{TGATE1}}$	Input	<b>Timer 1/2: Timer Gate 1</b> The timers can be <u>gated</u> /restarted by an external gate signal. There are two gate signals: $\overline{\text{TGATE1}}$ controls timer 1 and/or 2 and $\overline{\text{TGATE2}}$ controls timer 3 and/or 4.

**Table 1-9. Port C Signals (Continued)**

Name		Dedicated I/O Data Direction	Description
General-Purpose I/O	Peripheral Controller: Dedicated I/O Protocol		
PC30	BRG2O	Output	<b>Baud-Rate Generator 2 Output</b> The CPM supports up to 8 BRGs used internally by the bank-of-clocks selection logic and/or to provide an output to one of the 8 BRG pins.
	CLK2	Input	<b>Clock 2</b> The CPM supports up to 10 clock input pins sent to the bank-of-clocks selection logic, where they can be routed to the controllers.
	Timer1: $\overline{\text{TOUT1}}$	Output	<b>Timer 1: Timer Out 1</b> The timers (Timer[1–4]) can output a signal on a timer output ( $\overline{\text{TOUT}}[1–4]$ ) when the reference value is reached. This signal can be an active-low pulse or a toggle of the current output. The output can also connect internally to the input of another timer, resulting in a 32-bit timer.
	EXT1	Input	<b>External Request 1</b> Asserts an internal request to the CPM processor. The signal can be programmed as level- or edge-sensitive, and also has programmable priority. Refer to the RISC Controller Configuration Register (RCCR) description in the Chapter 17 of the <i>MSC8103 Reference Manual</i> for programming information. There are no current microcode applications for this request line. It is reserved for future development.
PC29	BRG3O	Output	<b>Baud-Rate Generator 3 Output</b> The CPM supports up to 8 BRGs used internally by the bank-of-clocks selection logic and/or to provide an output to one of the 8 BRG pins.
	CLK3	Input	<b>Clock 3</b> The CPM supports up to 10 clock input pins sent to the bank-of-clocks selection logic, where they can be routed to the controllers.
	TIN2	Input	<b>Timer Input 2</b> A timer can have one of the following sources: another timer, system clock, system clock divided by 16 or a timer input. The CPM supports up to 4 timer inputs. The timer inputs can be captured on the rising, falling or both edges.
	SCC1: $\overline{\text{CTS}}$ , CLSN	Input	<b>SCC1: Clear to Send, Collision</b> Typically used in conjunction with $\overline{\text{RTS}}$ . The MSC8103 SCC1 transmitter sends out a request to send data signal ( $\overline{\text{RTS}}$ ). The request is accepted when $\overline{\text{CTS}}$ is returned low. CLSN is the signal used in Ethernet mode. See also PC15.

**Table 1-9. Port C Signals (Continued)**

Name		Dedicated I/O Data Direction	Description
General-Purpose I/O	Peripheral Controller: Dedicated I/O Protocol		
PC28	BRG4O	Output	<b>Baud-Rate Generator 4 Output</b> The CPM supports up to 8 BRGs used internally by the bank-of-clocks selection logic and/or to provide an output to one of the 8 BRG pins.
	CLK4	Input	<b>Clock 4</b> The CPM supports up to 10 clock input pins sent to the bank-of-clocks selection logic, where they can be routed to the controllers.
	TIN1	Input	<b>Timer Input 1</b> A timer can have one of the following sources: another timer, system clock, system clock divided by 16 or a timer input. The CPM supports up to 4 timer inputs. The timer inputs can be captured on the rising, falling or both edges.
	Timer2: $\overline{\text{TOUT2}}$	Output	<b>Timer 2: Timer Output 2</b> The timers (Timer[1–4]) can output a signal on a timer output ( $\overline{\text{TOUT}}[1–4]$ ) when the reference value is reached. This signal can be an active-low pulse or a toggle of the current output. The output can also be connected internally to the input of another timer, resulting in a 32-bit timer.
	SCC2: $\overline{\text{CTS}}$ , CLSN	Input	<b>SCC2: Clear to Send, Collision</b> Typically used in conjunction with $\overline{\text{RTS}}$ . The MSC8103 SCC2 transmitter sends out a request to send data signal ( $\overline{\text{RTS}}$ ). The request is accepted when $\overline{\text{CTS}}$ is returned low. CLSN is the signal used in Ethernet mode. See also PC13.
PC27	BRG5O	Output	<b>Baud-Rate Generator 5 Output</b> The CPM supports up to 8 BRGs used internally by the bank-of-clocks selection logic and/or to provide an output to one of the 8 BRG pins.
	CLK5	Input	<b>Clock 5</b> When selected, CLK5 is a source for the SIU timers via BRG10. See the <i>System Interface Unit (SIU)</i> chapter in the <i>MSC8103 Reference Manual</i> for additional information. If CLK5 is not enabled, BRG10 uses an internal input. If TMCLK is enabled (see PC26 below), the BRG10 input to the SIU timers is disabled.
	TIMER3/4: $\overline{\text{TGATE2}}$	Input	<b>Timer 3/4: Timer Gate 2</b> The timers can be gated/restarted by an external gate signal. There are two gate signals: $\overline{\text{TGATE1}}$ controls timer 1 and/or 2 and $\overline{\text{TGATE2}}$ controls timer 3 and/or 4.

**Table 1-9. Port C Signals (Continued)**

Name		Dedicated I/O Data Direction	Description
General-Purpose I/O	Peripheral Controller: Dedicated I/O Protocol		
PC26	BRG6O	Output	<b>Baud-Rate Generator 6 Output</b> The CPM supports up to 8 BRGs used internally by the bank-of-clocks selection logic and/or provide an output to one of the 8 BRG pins.
	CLK6	Input	<b>Clock 6</b> The CPM supports up to 10 clock input pins sent to the bank-of-clocks selection logic, where they can be routed to the controllers.
	Timer3: $\overline{\text{TOUT3}}$	Output	<b>Timer 3: Timer Out 3</b> The timers (Timer[1–4]) can output a signal on a timer output ( $\overline{\text{TOUT}}[1–4]$ ) when the reference value is reached. This signal can be an active-low pulse or a toggle of the current output. The output can also connect internally to the input of another timer, resulting in a 32-bit timer.
	TMCLK	Input	<b>Timer Clock</b> When selected, TMCLK is the designated input to the SIU timers. When TMCLK is configured as the input to the SIU timers, the BRG1O input is disabled. See the <i>System Interface Unit (SIU)</i> chapter in the <i>MSC8103 Reference Manual</i> for additional information.
PC25	BRG7O	Output	<b>Baud-Rate Generator 7 Output</b> The CPM supports up to 8 BRGs used internally by the bank-of-clocks selection logic and/or provide an output to one of the 8 BRG pins.
	CLK7	Input	<b>Clock 7</b> The CPM supports up to 10 clock input pins sent to the bank-of-clocks selection logic, where they can be routed to the controllers.
	TIN4	Input	<b>Timer Input 4</b> A timer can have one of the following sources: another timer, system clock, system clock divided by 16 or a timer input. The CPM supports up to 4 timer inputs. The timer inputs can be captured on the rising, falling or both edges.
	DMA: $\overline{\text{DACK2}}$	Output	<b>DMA: Data Acknowledge 2</b> $\overline{\text{DACK2}}$ , $\overline{\text{DREQ2}}$ , $\overline{\text{DRACK2}}$ and $\overline{\text{DONE2}}$ belong to the SIU DMA controller. $\overline{\text{DONE2}}$ and $\overline{\text{DRACK2}}$ are signals on the same pin and therefore cannot be used simultaneously. There are two sets of DMA pins associated with the PIO ports.

**Table 1-9. Port C Signals (Continued)**

Name		Dedicated I/O Data Direction	Description
General-Purpose I/O	Peripheral Controller: Dedicated I/O Protocol		
PC24	BRG8O	Output	<b>Baud-Rate Generator 8 Output</b> The CPM supports up to 8 BRGs used internally by the bank-of-clocks selection logic and/or to provide an output to one of the 8 BRG pins.
	CLK8	Input	<b>Clock 8</b> The CPM supports up to 10 clock input pins. The clocks are sent to the bank-of-clocks selection logic, where they can be routed to the controllers.
	TIN3	Input	<b>Timer Input 3</b> A timer can have one of the following sources: another timer, system clock, system clock divided by 16, or a timer input. The CPM supports up to four timer inputs. The timer inputs can be captured on the rising, falling, or both edges.
	Timer4: $\overline{\text{TOUT4}}$	Output	<b>Timer 4: Timer Out 4</b> The timers (Timer1–4) can output a signal on a timer output ( $\overline{\text{TOUT}}[1-4]$ ) when the reference value is reached. This signal can be an active-low pulse or a toggle of the current output. The output can also be connected internally to the input of another timer, resulting in a 32-bit timer.
	DMA: DREQ2	Input	<b>DMA: Data Request 2</b> $\overline{\text{DACK2}}$ , $\overline{\text{DREQ2}}$ , $\overline{\text{DRACK2}}$ , and $\overline{\text{DONE2}}$ belong to the SIU DMA controller. $\overline{\text{DONE2}}$ and $\overline{\text{DRACK2}}$ are signals on the same pin and therefore cannot be used simultaneously. There are two sets of DMA pins associated with the PIO ports.
PC23	CLK9	Input	<b>Clock 9</b> The CPM supports up to 10 clock input pins sent to the bank-of-clocks selection logic, where they can be routed to the controllers.
	DMA: $\overline{\text{DACK1}}$	Output	<b>DMA: Data Acknowledge 1</b> $\overline{\text{DACK1}}$ , $\overline{\text{DREQ1}}$ , $\overline{\text{DRACK1}}$ , and $\overline{\text{DONE1}}$ belong to the SIU DMA controller. $\overline{\text{DONE1}}$ and $\overline{\text{DRACK1}}$ are signals on the same pin and therefore cannot be used simultaneously. There are two sets of DMA pins associated with the PIO ports.
	EXT2	Input	<b>External Request 2</b> External request input line 2 asserts an internal request to the CPM processor. The signal can be programmed as level- or edge-sensitive, and also has programmable priority. Refer to the RISC controller configuration register (RCCR) description in the Chapter 17 of the <i>MSC8103 Reference Manual</i> for programming information. There are no current microcode applications for this request line. It is reserved for future development.



Table 1-9. Port C Signals (Continued)

Name		Dedicated I/O Data Direction	Description
General-Purpose I/O	Peripheral Controller: Dedicated I/O Protocol		
PC22	SI1: L1ST1	Output	<b>Serial Interface 1: Layer 1 Strobe 1</b> The MSC8103 time-slot assigner supports up to four strobe outputs that can be asserted on a bit or byte basis. The strobe outputs are useful for interfacing to other devices that do not support the multiplexed interface or for enabling/disabling three-state I/O buffers in a multiple-transmitter architecture. These strobes can also generate output wave forms for such applications as stepper-motor control.
	CLK10	Input	<b>Clock 10</b> The CPM supports up to 10 clock input pins sent to the bank-of-clocks selection logic, where they can be routed to the controllers.
	DMA: DREQ1	Input/ Output	<b>DMA: Request 1</b> <u>DACK1</u> , <u>DREQ1</u> , <u>DRACK1</u> , and <u>DONE1</u> belong to the SIU DMA controller. <u>DONE1</u> and <u>DRACK1</u> are signals on the same pin and therefore cannot be used simultaneously. There are two sets of DMA pins associated with the PIO ports.
PC15	SMC2: SMTXD	Output	<b>SMC2: Serial Management Transmit Data</b> The SMC interface consists of SMTXD, SMRXD, <u>SMSYN</u> , and a clock. Not all signals are used for all applications. SMCs are full-duplex ports that support three protocols or modes: UART, transparent, or general-circuit interface (GCI). See also PA9.
	SCC1: <u>CTS</u> / <u>CLSN</u>	Input	<b>SCC1: Clear To Send, Collision</b> Typically used in conjunction with <u>RTS</u> . The MSC8103 SCC1 transmitter sends out a request to send data signal ( <u>RTS</u> ). The request is accepted when <u>CTS</u> is returned low. <u>CLSN</u> is the signal used in Ethernet mode. See also PC29.
	FCC1: TXADDR0 <i>UTOPIA master</i>	Output	<b>FCC1: UTOPIA Master Transmit Address Bit 0</b> This is master transmit address bit 0.
	FCC1: TXADDR0 <i>UTOPIA slave</i>	Input	<b>FCC1: UTOPIA Slave Transmit Address Bit 0</b> This is slave transmit address bit 0.
PC14	SI1: L1ST2	Output	<b>Serial Interface 1: Layer 1 Strobe 2</b> The MSC8103 time-slot assigner supports up to four strobe outputs that can be asserted on a bit or byte basis. The strobe outputs are useful for interfacing to other devices that do not support the multiplexed interface or for enabling/disabling three-state I/O buffers in a multiple-transmitter architecture. These strobes can also be generate output wave forms for such applications as stepper-motor control.
	SCC1: <u>CD</u> , RENA	Input	<b>SCC1: Carrier Detect, Receive Enable</b> Typically used in conjunction with <u>RTS</u> supported by SCC1. The MSC8103MSC8103 SCC1 transmitter requests the receiver to send data by asserting <u>RTS</u> low. The request is accepted when <u>CTS</u> is returned low.
	FCC1: RXADDR0 <i>UTOPIA master</i>	Output	<b>FCC1: UTOPIA Multi-PHY Master Receive Address Bit 0</b> This is master receive address bit 0.
	FCC1: RXADDR0 <i>UTOPIA slave</i>	Input	<b>FCC1: UTOPIA Multi-PHY Slave Receive Address Bit 0</b> This is slave receive address bit 0.

Table 1-9. Port C Signals (Continued)

Name		Dedicated I/O Data Direction	Description
General-Purpose I/O	Peripheral Controller: Dedicated I/O Protocol		
PC13	SI1: L1ST4	Output	<b>Serial Interface 1: Layer 1 Strobe 4</b> The MSC8103 time-slot assigner supports up to four strobe outputs that can be asserted on a bit or byte basis. The strobe outputs are useful for interfacing to other devices that do not support the multiplexed interface or for enabling/disabling three-state I/O buffers in a multiple-transmitter architecture. These strobes can also generate output wave forms for such applications as stepper-motor control.
	SCC2: $\overline{\text{CTS}}$ , CLSN	Input	<b>SCC2: Clear to Send, Collision</b> Typically used in conjunction with $\overline{\text{RTS}}$ . The MSC8103 SCC2 transmitter sends out a request to send data signal ( $\overline{\text{RTS}}$ ). The request is accepted when $\overline{\text{CTS}}$ is returned low. CLSN is the signal used in Ethernet mode. See also PC28.
	FCC1: TXADDR1 <i>UTOPIA master</i>	Output	<b>FCC1: UTOPIA Multi-PHY Master Transmit Address Bit 1</b> This is master transmit address bit 1.
	FCC1: TXADDR1 <i>UTOPIA slave</i>	Input	<b>FCC1: UTOPIA Multi-PHY Slave Transmit Address Bit 1</b> This is slave transmit address bit 1.
PC12	SI1: L1ST3	Output	<b>Serial Interface 1: Layer 1 Strobe 3</b> The MSC8103 time-slot assigner supports up to four strobe outputs that can be asserted on a bit or byte basis. The strobe outputs are useful for interfacing to other devices that do not support the multiplexed interface or for enabling/disabling three-state I/O buffers in a multiple-transmitter architecture. These strobes can also generate output wave forms for such applications as stepper-motor control.
	SCC2: $\overline{\text{CD}}$ , RENA	Input	<b>SCC2: Carrier Detect, Request Enable</b> Typically used in conjunction with $\overline{\text{RTS}}$ supported by SCC2. The MSC8103 SCC2 transmitter requests to the receiver that it sends data by asserting $\overline{\text{RTS}}$ low. The request is accepted when $\overline{\text{CTS}}$ is returned low.
	FCC1: RXADDR1 <i>UTOPIA master</i>	Output	<b>FCC1: UTOPIA Multi-PHY Master Receive Address Bit 1</b> This is master receive address bit 1.
	FCC1: RXADDR1 <i>UTOPIA slave</i>	Input	<b>FCC1: UTOPIA Multi-PHY Slave Receive Address Bit 1</b> This is slave receive address bit 1.

Table 1-9. Port C Signals (Continued)

Name		Dedicated I/O Data Direction	Description
General-Purpose I/O	Peripheral Controller: Dedicated I/O Protocol		
PC7	SI2: L1ST1	Output	<b>Serial Interface 2: Strobe 1</b> The MSC8103 time-slot assigner supports up to four strobe outputs that can be asserted on a bit or byte basis. The strobe outputs are useful for interfacing to other devices that do not support the multiplexed interface or for enabling/disabling three-state I/O buffers in a multiple-transmitter architecture. These strobes can also generate output wave forms for such applications as stepper-motor control.
	FCC1: $\overline{\text{CTS}}$ <i>HDLC serial, HDLC nibble, and transparent</i>	Input	<b>FCC1: Clear To Send</b> In the standard modem interface signals supported by FCC1 ( $\overline{\text{RTS}}$ , $\overline{\text{CTS}}$ , and $\overline{\text{CD}}$ ). $\overline{\text{CTS}}$ is asynchronous with the data.
	FCC1: TXADDR2 <i>UTOPIA master</i>	Output	<b>FCC1: UTOPIA Multi-PHY Master Transmit Address Bit 2</b> This is master transmit address bit 2.
	FCC1: TXADDR2 <i>UTOPIA slave</i>	Input	<b>FCC1: UTOPIA Multi-PHY Slave Transmit Address Bit 2</b> This is slave transmit address bit 2.
	FCC1: TXCLAV1 <i>UTOPIA multi-PHY master, direct polling</i>	Input	<b>FCC1: UTOPIA Multi-PHY Master Transmit Cell Available 1 Direct Polling</b> Asserted by an external UTOPIA slave PHY to indicate that it can accept one complete ATM cell.
PC6	SI2: L1ST2	Output	<b>Serial Interface 2: Layer 1 Strobe 2</b> The MSC8103 time-slot assigner supports up to four strobe outputs that can be asserted on a bit or byte basis. The strobe outputs are useful for interfacing to other devices that do not support the multiplexed interface or for enabling/disabling three-state I/O buffers in a multiple-transmitter architecture. These strobes can also generate output wave forms for such applications as stepper-motor control.
	FCC1: $\overline{\text{CD}}$ <i>HDLC serial, HDLC nibble, and transparent</i>	Input	<b>FCC1: Carrier Detect</b> In the standard modem interface signals supported by FCC1 ( $\overline{\text{RTS}}$ , $\overline{\text{CTS}}$ , and $\overline{\text{CD}}$ ). $\overline{\text{CD}}$ is an input asynchronous with the data.
	FCC1: RXADDR2 <i>UTOPIA master</i>	Output	<b>FCC1: UTOPIA Multi-PHY Master Receive Address Bit 2</b> This is master receive address bit 2.
	FCC1: RXADDR2 <i>UTOPIA slave</i>	Input	<b>FCC1: UTOPIA Slave Receive Address Bit 2</b> This is slave receive address bit 2.
	FCC1: RXCLAV1 <i>UTOPIA multi-PHY master, direct polling</i>	Input	<b>FCC1: UTOPIA Multi-PHY Master Receive Cell Available 1 Direct Polling</b> Asserted by an external PHY when one complete ATM cell is available for transfer.

**Table 1-9. Port C Signals (Continued)**

Name		Dedicated I/O Data Direction	Description
General-Purpose I/O	Peripheral Controller: Dedicated I/O Protocol		
PC5	SMC1: SMTXD	Output	<b>SMC1: Transmit Data</b> The SMC interface consists of SMTXD, SMRXD, $\overline{\text{SMSYN}}$ , and a clock. Not all signals are used for all applications. SMCs are full-duplex ports that supports three protocols or modes: UART, transparent, or general-circuit interface (GCI).
	SI2: L1ST3	Output	<b>Serial Interface 2: Layer 1 Strobe 3</b> The MSC8103 time-slot assigner supports up to four strobe outputs that can be asserted on a bit or byte basis. The strobe outputs are useful for interfacing to other devices that do not support the multiplexed interface or for enabling/disabling three-state I/O buffers in a multiple-transmitter architecture. These strobes can also generate output wave forms for such applications as stepper-motor control.
	FCC2: $\overline{\text{CTS}}$ <i>HDLC serial, HDLC nibble, and transparent</i>	Input	<b>FCC2: Clear To Send</b> In the standard modem interface signals supported by FCC2 ( $\overline{\text{RTS}}$ , $\overline{\text{CTS}}$ , and CD). $\overline{\text{CTS}}$ is asynchronous with the data.
PC4	SMC1: SMRXD	Input	<b>SMC1: Receive Data</b> The SMC interface consists of SMTXD, SMRXD, $\overline{\text{SMSYN}}$ , and a clock. Not all signals are used for all applications. SMCs are full-duplex ports that supports three protocols or modes: UART, transparent, or general-circuit interface (GCI).
	SI2: L1ST4	Output	<b>Serial Interface 2: Layer 1 Strobe 4</b> The MSC8103 time-slot assigner supports up to four strobe outputs that can be asserted on a bit or byte basis. The strobe outputs are useful for interfacing to other devices that do not support the multiplexed interface or for enabling/disabling three-state I/O buffers in a multiple-transmitter architecture. These strobes can also generate output wave forms for such applications as stepper-motor control.
	FCC2: $\overline{\text{CD}}$ <i>HDLC serial, HDLC nibble, and transparent</i>	Input	<b>FCC2: Carrier Detect</b> In the standard modem interface signals supported by FCC2 ( $\overline{\text{RTS}}$ , $\overline{\text{CTS}}$ and CD). $\overline{\text{CD}}$ is asynchronous with the data.

## 1.6.4 Port D Signals

Table 1-10. Port D Signals

Name		Dedicated I/O Data Direction	Description
General-Purpose I/O	Peripheral Controller: Dedicated I/O Protocol		
PD31	SCC1: RXD	Input	<b>SCC1: Receive Data</b> SCC1 receives serial data from RXD.
	DMA: $\overline{\text{DRACK1}}$	Output	<b>DMA: Data Request Acknowledge 1</b> $\overline{\text{DACK1}}$ , $\overline{\text{DREQ1}}$ , $\overline{\text{DRACK1}}$ , and $\overline{\text{DONE1}}$ belong to the SIU DMA controller. $\overline{\text{DONE1}}$ and $\overline{\text{DRACK1}}$ are signals on the same pin and therefore cannot be used simultaneously. There are two sets of DMA pins associated with the PIO ports.
	DMA: $\overline{\text{DONE1}}$	Input/ Output	<b>DMA: Done 1</b> $\overline{\text{DACK1}}$ , $\overline{\text{DREQ1}}$ , $\overline{\text{DRACK1}}$ , and $\overline{\text{DONE1}}$ belong to the SIU DMA controller. $\overline{\text{DONE1}}$ and $\overline{\text{DRACK1}}$ are signals on the same pin and therefore cannot be used simultaneously. There are two sets of DMA pins associated with the PIO ports.
PD30	SCC1: TXD	Output	<b>SCC1: Transmit Data</b> SCC1 transmits serial data out of TXD.
	DMA: $\overline{\text{DRACK2}}$	Output	<b>DMA: Data Request Acknowledge 2</b> $\overline{\text{DACK2}}$ , $\overline{\text{DREQ2}}$ , $\overline{\text{DRACK2}}$ , and $\overline{\text{DONE2}}$ belong to the SIU DMA controller. $\overline{\text{DONE2}}$ and $\overline{\text{DRACK2}}$ are signals on the same pin and therefore cannot be used simultaneously. There are two sets of DMA pins associated with the PIO ports.
	DMA: $\overline{\text{DONE2}}$	Input/ Output	<b>DMA: Done 2</b> $\overline{\text{DACK2}}$ , $\overline{\text{DREQ2}}$ , $\overline{\text{DRACK2}}$ , and $\overline{\text{DONE2}}$ belong to the SIU DMA controller. $\overline{\text{DONE2}}$ and $\overline{\text{DRACK2}}$ are signals on the same pin and therefore cannot be used simultaneously. There are two sets of DMA pins associated with the PIO ports.
PD29	SCC1: $\overline{\text{RTS}}$ , TENA	Output	<b>SCC1: Request to Send, Transmit Enable</b> Typically used in conjunction with $\overline{\text{CD}}$ supported by SCC2. The MSC8103 SCC1 transmitter requests the receiver to send data by asserting $\overline{\text{RTS}}$ low. The request is accepted when $\overline{\text{CTS}}$ is returned low. TENA is the signal used in Ethernet mode.
	FCC1: RXADDR3 UTOPIA master	Output	<b>FCC1: UTOPIA Multi-PHY Master Receive Address Bit 3</b> This is master receive address bit 3.
	FCC1: RXADDR3 UTOPIA slave	Input	<b>FCC1: UTOPIA Slave Receive Address Bit 3</b> This is slave receive address bit 3.
	FCC1: RXCLAV2 UTOPIA multi-PHY master, direct polling	Input	<b>FCC1: UTOPIA Multi-PHY Master Receive Cell Available 2 Direct Polling</b> Asserted by an external PHY when one complete ATM cell is available for transfer.

**Table 1-10. Port D Signals (Continued)**

Name		Dedicated I/O Data Direction	Description
General-Purpose I/O	Peripheral Controller: Dedicated I/O Protocol		
PD19	FCC1: TXADDR4 <i>UTOPIA master</i>	Output	<b>FCC1: Multi-PHY Master Transmit Address Bit 4 Multiplexed Polling</b> This is master transmit address bit 4.
	FCC1: TXADDR4 <i>UTOPIA slave</i>	Input	<b>FCC1: UTOPIA Slave Transmit Address Bit 4</b> This is slave transmit address bit 4.
	FCC1: TXCLAV3 <i>UTOPIA multi-PHY master, direct polling</i>	Input	<b>FCC1: UTOPIA Multi-PHY master Transmit Cell Available 3 Direct Polling</b> Asserted by an external UTOPIA slave PHY to indicate that it can accept one complete ATM cell.
	BRG10	Output	<b>Baud Rate Generator 1 Output</b> The CPM supports up to 8 BRGs for use internally by the bank-of-clocks selection logic and/or to provide an output to one of the 8 BRG pins. BRG10 can be the internal input to the SIU timers. When CLK5 is selected (see PC27 above), it is the source for BRG10 which is the default input for the SIU timers. See the system interface unit (SIU) chapter in the <i>MSC8103 Reference Manual</i> for additional information. If CLK5 is not enabled, BRG10 uses an internal input. If TMCLK is enabled (see PC26 above), the BRG10 input to the SIU timers is disabled.
	SPI: $\overline{\text{SPISEL}}$	Input	<b>SPI: Select</b> The SPI interface comprises four signals: master out slave in (SPIMOSI), master in slave out (SPIMISO), clock (SPICLK) and select (SPISEL). The SPI can be configured as a slave or master in single- or multiple-master environments. $\overline{\text{SPISEL}}$ is the enable input to the SPI slave. In a multimaster environment, SPISEL (always an input) detects an error when more than one master is operating. SPI masters must output a slave select signal to enable SPI slave devices by using a separate general-purpose I/O signal. Assertion of an SPI SPISEL while it is master causes an error.
PD18	FCC1: RXADDR4 <i>UTOPIA master</i>	Output	<b>FCC1: UTOPIA Master Receive Address Bit 4</b> This is master receive address bit 4.
	FCC1: RXADDR4 <i>UTOPIA slave</i>	Input	<b>FCC1: UTOPIA Slave Receive Address Bit 4</b> This is slave receive address bit 4.
	FCC1: RXCLAV3 <i>UTOPIA multi-PHY master, direct polling</i>	Input	<b>FCC1: UTOPIA Multi-PHY Master Receive Cell Available 3 Direct Polling</b> Asserted by an external PHY when one complete ATM cell is available for transfer.
	SPI: SPICLK	Input/ Output	<b>SPI: Clock</b> The SPI interface comprises four signals: master out slave in (SPIMOSI), master in slave out (SPIMISO), clock (SPICLK) and select (SPISEL). The SPI can be configured as a slave or master in single- or multiple-master environments. SPICLK is a gated clock, active only during data transfers. Four combinations of SPICLK phase and polarity can be configured. When the SPI is a master, SPICLK is the clock output signal that shifts received data in from SPIMISO and transmitted data out to SPIMOSI.

**Table 1-10. Port D Signals (Continued)**

Name		Dedicated I/O Data Direction	Description
General-Purpose I/O	Peripheral Controller: Dedicated I/O Protocol		
PD17	BRG2O	Output	<b>Baud Rate Generator 2 Output</b> The CPM supports up to 8 BRGs for use internally to the MSC8103 and/or to provide an output to one of the 8 BRG pins.
	FCC1: RXPRTY <i>UTOPIA</i>	Input	<b>FCC1: UTOPIA Receive Parity</b> This is the odd parity bit for RXD[0–7].
	SPI: SPIMOSI	Input/ Output	<b>SPI: Master Output Slave Input</b> The SPI interface comprises our signals: master out slave in ( <i>SPIMOSI</i> ), master in slave out ( <i>SPIMISO</i> ), clock ( <i>SPICLK</i> ) and select ( <i>SPISEL</i> ). The SPI can be configured as a slave or master in single- or multiple-master environments. When the SPI is a slave, <i>SPICLK</i> is the clock input that shifts received data in from <i>SPIMOSI</i> and transmitted data out through <i>SPIMISO</i> .
PD16	FCC1: TXPRTY <i>UTOPIA</i>	Output	<b>FCC1: UTOPIA Transmit Parity</b> This is the odd parity bit for TXD[0–7].
	SPI: SPIMISO	Input/ Output	<b>SPI: Master Input Slave Output</b> The SPI interface comprises four signals: master out slave in ( <i>SPIMOSI</i> ), master in slave out ( <i>SPIMISO</i> ), clock ( <i>SPICLK</i> ), and select ( <i>SPISEL</i> ). The SPI can be configured as a slave or master in single- or multiple-master environments. When the SPI is a slave, <i>SPICLK</i> is the clock input that shifts received data in from <i>SPIMOSI</i> and transmitted data out through <i>SPIMISO</i> .
PD7	SMC1: $\overline{\text{SMSYN}}$	Input	<b>SMC1: Serial Management Synchronization</b> The SMC interface consists of <i>SMTXD</i> , <i>SMRXD</i> , $\overline{\text{SMSYN}}$ and a clock. Not all signals are used for all applications. SMCs are full-duplex ports that support three protocols or modes: UART, transparent or general-circuit interface (GCI).
	FCC1: TXADDR3 <i>UTOPIA master</i>	Output	<b>FCC1: UTOPIA Master Transmit Address Bit 3</b> This is master transmit address bit 3.
	FCC1: TXADDR3 <i>UTOPIA slave</i>	Input	<b>FCC1: UTOPIA Slave Transmit Address Bit 3</b> This is slave transmit address bit 3.
	FCC1: TXCLAV2 <i>UTOPIA multi-PHY master, direct polling</i>	Input	<b>FCC1: UTOPIA Multi-PHY Master Transmit Cell Available 2 Direct Polling</b> Asserted by an external UTOPIA slave PHY to indicate that it can accept one complete ATM cell.

## 1.7 JTAG Test Access Port Signals

The MSC8103 supports the standard set of Test Access Port (TAP) signals defined by IEEE 1149.1 Standard Test Access Port and Boundary-Scan Architecture specification and described in **Table 1-11**.

**Table 1-11.** JTAG Test Access Port Signals

Signal Name	Type	Signal Description
TCK	Input	<b>Test Clock</b> A test clock signal for synchronizing JTAG test logic.
TDI	Input	<b>Test Data Input</b> A test data serial signal for test instructions and data. TDI is sampled on the rising edge of TCK and has an internal pull-up resistor.
TDO	Output	<b>Test Data Output</b> A test data serial signal for test instructions and data. TDO can be tri-stated. The signal is actively driven in the shift-IR and shift-DR controller states and changes on the falling edge of TCK.
TMS	Input	<b>Test Mode Select</b> Sequences the test controller's state machine, is sampled on the rising edge of TCK, and has an internal pull-up resistor.
TRST	Input	<b>Test Reset</b> Asynchronously initializes the test controller, has an internal pull-up resistor, and must be asserted after power up.

## 1.8 Reserved Signals

**Table 1-12.** Reserved Signals

Signal Name	Type	Signal Description
TEST	Input	<b>Test</b> Used for manufacturing testing. You must connect this input to GND.
THERM[1-2]	—	Leave disconnected.
SPARE1, 5	—	<b>Spare Pins</b> Leave disconnected for backward compatibility with future revisions of this device.



# Physical and Electrical Specifications 2

This document contains detailed information on environmental limits, power considerations, DC/AC electrical characteristics, and AC timing specifications for the MSC8103 communications processor, mask set 2K87M. For additional information, see the *MSC8103 Reference Manual*.

## 2.1 Absolute Maximum Ratings

### CAUTION

**This device contains circuitry protecting against damage due to high static voltage or electrical fields; however, normal precautions should be taken to avoid exceeding maximum voltage ratings. Reliability is enhanced if unused inputs are tied to an appropriate logic voltage level (for example, either GND or V<sub>CC</sub>).**

In calculating timing requirements, adding a maximum value of one specification to a minimum value of another specification does not yield a reasonable sum. A maximum specification is calculated using a worst case variation of process parameter values in one direction. The minimum specification is calculated using the worst case for the same parameters in the opposite direction. Therefore, a “maximum” value for a specification never occurs in the same device with a “minimum” value for another specification; adding a maximum to a minimum represents a condition that can never exist. **Table 2-1** describes the maximum electrical ratings for the MSC8103.

**Table 2-1. Absolute Maximum Ratings<sup>2</sup>**

Rating	Symbol	Value	Unit
Core supply voltage <sup>3</sup>	V <sub>DD</sub>	-0.2 to 1.7	V
PLL supply voltage <sup>3</sup>	V <sub>CCSYN</sub>	-0.2 to 1.7	V
I/O supply voltage <sup>3</sup>	V <sub>DDH</sub>	-0.2 to 3.6	V
Input voltage <sup>3</sup>	V <sub>IN</sub>	(GND - 0.2) to 3.6	V
Maximum operating temperature range <sup>4</sup>	T <sub>J</sub>	-40 to 120	°C
Storage temperature range	T <sub>STG</sub>	-55 to +150	°C
<b>Notes:</b> <ol style="list-style-type: none"> <li>Functional operating conditions are given in <b>Table 2-2</b>.</li> <li>Absolute maximum ratings are stress ratings only, and functional operation at the maximum is not guaranteed. Stress beyond the listed limits may affect device reliability or cause permanent damage.</li> <li>The input voltage must not exceed the I/O supply V<sub>DDH</sub> by more than 2.5 V at any time, including during power-on reset. In turn, V<sub>DDH</sub> can exceed V<sub>DD</sub>/V<sub>CCSYN</sub> by more than 3.3 V during power-on reset, but for no more than 100 ms. V<sub>DDH</sub> should not exceed V<sub>DD</sub>/V<sub>CCSYN</sub> by more than 2.1 V during normal operation. V<sub>DD</sub>/V<sub>CCSYN</sub> must not exceed V<sub>DDH</sub> by more than 0.4 V at any time, including during power-on reset. See <b>Section 4.2, Electrical Design Considerations</b>, on page <b>4-1</b> for more information.</li> <li><b>Section 4.1, Thermal Design Considerations</b>, on page <b>4-1</b> includes a formula for computing the chip junction temperature (T<sub>J</sub>).</li> </ol>			

## 2.2 Recommended Operating Conditions

Table 2-2 lists recommended operating conditions. Proper device operation outside of these conditions is not guaranteed.

**Table 2-2.** Recommended Operating Conditions

Rating	Symbol	Value	Unit
SC140 core supply voltage	$V_{DD}$	275 MHz: 1.5 to 1.7 300 MHz: 1.55 to 1.7	V V
PLL supply voltage	$V_{CCSYN}$	275 MHz: 1.5 to 1.7 300 MHz: 1.55 to 1.7	V V
I/O supply voltage	$V_{DDH}$	3.135 to 3.465	V
Input voltage	$V_{IN}$	-0.2 to $V_{DDH} + 0.2$	V
Operating temperature range	$T_J$	275 MHz: -40 to 105 300 MHz: -40 to 75	°C °C

## 2.3 Thermal Characteristics

Table 2-3 describes thermal characteristics of the MSC8103.

**Table 2-3.** Thermal Characteristics

Characteristic	Symbol	Lidded FC-PBGA 17 × 17 mm		Unit
		Natural Convection	200 ft/min (1 m/s) airflow	
Junction-to-ambient, single-layer board <sup>1, 2</sup>	$R_{\theta JA}$ or $\theta_{JA}$	50	37	°C/W
Junction-to-ambient, four-layer board <sup>1, 3</sup>	$R_{\theta JA}$ or $\theta_{JA}$	22	18	°C/W
Junction-to-board <sup>3</sup>	$R_{\theta JB}$ or $\theta_{JB}$	15		°C/W
Junction-to-case <sup>4</sup>	$R_{\theta JC}$ or $\theta_{JC}$	0.8		°C/W
<b>Notes:</b> <ol style="list-style-type: none"> <li>Junction temperature is a function of on-chip power dissipation, package thermal resistance, mounting site (board) temperature, ambient temperature, air flow, power dissipation of other components on the board, and board thermal resistance.</li> <li>Per SEMI G38-87 and EIA/JESD51-2 with the single layer board horizontal.</li> <li>Per JEDEC JESD51-6 with the board (JESD51-9) horizontal.</li> <li>Thermal resistance between the die and the printed circuit board per JEDEC JESD 51-8. Board temperature is measured on the top surface of the board near the package.</li> <li>Thermal resistance between the die and the case top surface without thermal grease. TBD = to be determined. If a thin (less than 50 micron) thermal grease interface is established to a heat sink from the lid, the junction to sink thermal resistance is about 0.7 °C/W.</li> </ol>				

See Section 4.1, *Thermal Design Considerations*, on page 4-1 for details on these characteristics.

## 2.4 DC Electrical Characteristics

This section describes the DC electrical characteristics for the MSC8103. The measurements in **Table 2-4** assume the following system conditions:

- $T_J = 0 - 100\text{ }^\circ\text{C}$
- $V_{DD} = 1.6\text{ V} \pm 5\% V_{DC}$
- $V_{DDH} = 3.3\text{ V} \pm 5\% V_{DC}$
- $GND = 0\text{ V}_{DC}$

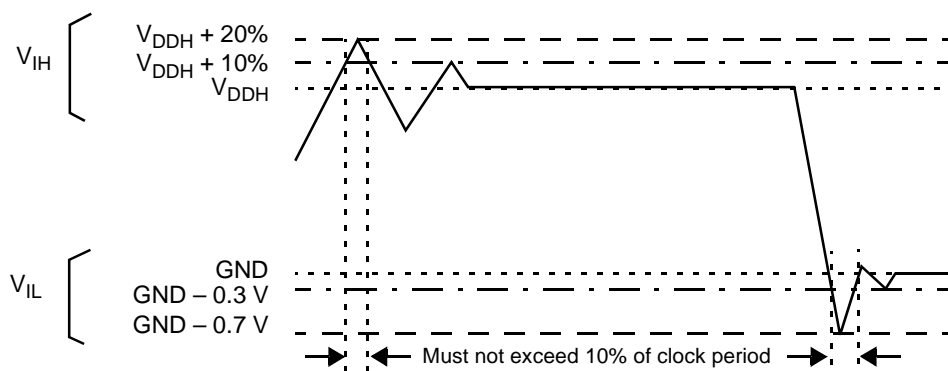
**Note:** The leakage current is measured for nominal  $V_{DDH}$  and  $V_{DD}$  or both  $V_{DDH}$  and  $V_{DD}$  must vary in the same direction (for example, both  $V_{DDH}$  and  $V_{DD}$  vary by  $\pm 5$  percent).

**Table 2-4.** DC Electrical Characteristics

Characteristic	Symbol	Min	Max	Unit
Input high voltage <sup>1</sup> , all inputs except CLKIN	$V_{IH}$	2.0	3.465	V
Input low voltage <sup>1</sup>	$V_{IL}$	GND	0.8	V
CLKIN input high voltage	$V_{IHC}$	2.5	3.465	V
CLKIN input low voltage <sup>2</sup>	$V_{ILC}$	GND	0.8	V
Input leakage current, $V_{IN} = V_{DDH}$	$I_{IN}$	—	10	$\mu\text{A}$
Tri-state (high impedance off state) leakage current, $V_{IN} = V_{DDH}$	$I_{OZ}$	—	10	$\mu\text{A}$
Signal low input current <sup>3</sup> , $V_{IL} = 0.8\text{ V}$	$I_L$	—	-4.0	mA
Signal high input current <sup>3</sup> , $V_{IH} = 2.0\text{ V}$	$I_H$	—	4.0	mA
Output high voltage, $I_{OH} = -2\text{ mA}$ , except open drain pins	$V_{OH}$	2.4	—	V
Output low voltage, $I_{OL} = 3.2\text{ mA}$	$V_{OL}$	—	0.4	V

**Notes:**

1. See **Figure 2-1** for undershoot and overshoot voltages.
2. The optimum CLKIN duty cycle is obtained when:  $V_{ILC} = V_{DDH} - V_{IHC}$ .
3. Not tested. Guaranteed by design.



**Figure 2-1.** Overshoot/Undershoot Voltage for  $V_{IH}$  and  $V_{IL}$

**Table 2-5.** Typical Power Dissipation

Characteristic	Symbol	Typical	Unit
Core power dissipation at 300 MHz	$P_{CORE}$	450	mW
CPM power dissipation at 200 MHz	$P_{CPM}$	320	mW
SIU power dissipation at 100 MHz	$P_{SIU}$	80	mW
Core leakage power	$P_{LCO}$	3	mW
CPM leakage power	$P_{LCP}$	6	mW
SIU leakage power	$P_{LSI}$	2	mW

## 2.5 Clock Configuration

The following sections provide a general description of clock configuration.

### 2.5.1 Valid Clock Modes

**Table 2-6** shows the maximum frequency values for each rated core frequency (275 or 300 MHz). The user must ensure that maximum frequency values are not exceeded.

**Table 2-6.** Maximum Frequencies

Characteristic	Maximum Frequency in MHz	
Core Frequency	275	300
CPM Frequency (CPMCLK)	183.33	200
Bus Frequency (BCLK)	91.67	100
Serial Communication Controller Clock Frequency (SCLK)	91.67	100
Baud Rate Generator Clock Frequency (BRGCLK)	91.67	100
External Clock Output Frequency (CLKOUT)	91.67	100

Six bit values map the MSC8103 clocks to one of the valid configuration mode options. Each option determines the CLKIN, SC140, system bus, SCC clock, CPM, and CLKOUT frequencies. The six bit values are derived from three dedicated input pins (MODCK[1–3]) and three bits from the hard reset configuration word (MODCK\_H). To configure the SPLL pre-division factor, SPLL multiplication factor, and the frequencies for the SC140, SCC clocks, CPM parallel I/O ports, and system buses, the MODCK[1–3] pins are sampled and combined with the MODCK\_H values when the internal power-on reset (internal  $\overline{\text{PORESET}}$ ) is deasserted. Clock configuration changes only when the internal  $\overline{\text{PORESET}}$  signal is deasserted. The following factors are configured:

- SPLL pre-division factor (SPLL PDF)
- SPLL multiplication factor (SPLL MF)
- Bus post-division factor (Bus DF)
- CPM division factor (CPM DF)
- Core division factor (Core DF)
- CPLL pre-division factor (CPLL PDF)
- CPLL multiplication factor (CPLL MF)

The SCC division factor (SCC DF) is fixed at 4. The BRG division factor (BRG DF) is configured through the System Clock Control Register (SCCR) and can be 4, 16 (default after reset), 64, or 256.

**Note:** Refer to *Clock Mode Selection for MSC8101 and MSC8103 Mask Set 2K87M* (AN2306) for details on clock configuration.

### 2.5.2 Clocks Programming Model

This section describes the clock registers in detail. The registers discussed are as follows:

- System Clock Control Register (SCCR)
- System Clock Mode Register (SCMR)

## 2.5.2.1 System Clock Control Register

Bit	0	1	2	3	4	5	6	7	8	9	10	11	12	13	14	15
Type	—															
Reset	Reserved															
Bit	16	17	18	19	20	21	22	23	24	25	26	27	28	29	30	31
Type	—											CLKODIS	—		DFBRG	
Reset	Reserved											R/W	Reserved		R/W	
	—											0	—		0 1	

**Figure 2-2.** System Clock Control Register (SCCR)—0x10C80

SCCR is memory-mapped into the SIU register map of the MSC8103.

**Table 2-7.** SCCR Bit Descriptions

Name Bit No.	Defaults		Description	Settings
	PORESET	Hard Reset		
— 0–26	—	—	Reserved. Write to 0 for future compatibility.	
<b>CLKODIS</b> 27	0	Unaffected	<b>CLKOUT Disable</b> Disables the CLKOUT signal. The value of CLKOUT when disabled is indeterminate (can be 1 or 0).	0 CLKOUT enabled (default) 1 CLKOUT disabled
— 28–29	—	—	Reserved. Write to 0 for future compatibility.	
<b>DFBRG</b> 30–31	01	Unaffected	<b>Division Factor for the BRG Clock</b> Defines the BRGCLK frequency. Changing this value does not result in a loss of lock condition.	00 Divide by 4 01 Divide by 16 (default value) 10 Divide by 64 11 Divide by 256

## 2.5.2.2 System Clock Mode Register

Bit	0	1	2	3	4	5	6	7	8	9	10	11	12	13	14	15
Type	COREPDF				COREMF				BUSDF				CPMDF			
Reset	—															
Bit	16	17	18	19	20	21	22	23	24	25	26	27	28	29	30	31
Type	SPLLPDF				SPLLMF				—	DLLDIS	—		COREDF			
Reset	—															

**Figure 2-3.** System Clock Mode Register (SCMR)—0x10C88

SCMR is a read-only register that is updated during power-on reset (PORESET) and provides the mode control signals to the PLLs, DLL, and clock logic. This register reflects the currently defined configuration settings. For details of the available setting options, see *AN2306/D*.

**Table 2-8. SCMR Field Descriptions**

Name Bit No.	Defaults		Description	Settings
	PORESET	Hard Reset		
<b>COREPDF</b> 0–3	Configuration Pins	Unaffected	<b>Core PLL Pre-Division Factor</b>	0000 CPLL PDF = 1 0001 CPLL PDF = 2 0010 CPLL PDF = 3 0011 CPLL PDF = 4 All other combinations not used.
<b>COREMF</b> 4–7	Configuration Pins	Unaffected	<b>Core Multiplication Factor</b>	0101 CPLL MF = 10 0110 CPLL MF = 12 0111 CPLL MF = 14 All other combinations not used.
<b>BUSDF</b> 8–11	Configuration Pins	Unaffected	<b>60x-compatible Bus Division Factor</b>	0001 Bus DF = 2 0010 Bus DF = 3 0011 Bus DF = 4 0100 Bus DF = 5 0101 Bus DF = 6 All other combinations not used.
<b>CPMDF</b> 12–15	Configuration Pins	Unaffected	<b>CPM Division Factor</b>	0000 CPM DF = 1 0001 CPM DF = 2 0010 CPM DF = 3 All other combinations not used.
<b>SPLPDF</b> 16–19	Configuration Pins	Unaffected	<b>SPLL Pre-Division Factor</b>	0000 SPLL PDF = 1 0001 SPLL PDF = 2 0010 SPLL PDF = 3 0011 SPLL PDF = 4 0100 SPLL PDF = 5 0101 SPLL PDF = 6 All other combinations not used
<b>SPLLMF</b> 20–23	Configuration Pins	Unaffected	<b>SPLL Multiplication Factor</b>	0101 SPLL MF = 10 0110 SPLL MF = 12 0111 SPLL MF = 14 1000 SPLL MF = 16 1001 SPLL MF = 18 1010 SPLL MF = 20 1011 SPLL MF = 22 1100 SPLL MF = 24 1101 SPLL MF = 26 1110 SPLL MF = 28 1111 SPLL MF = 30 All other combinations not used
— 24	—	—	Reserved	
<b>DLLDIS</b> 25	Configuration Pins	Unaffected	<b>DLL Disable</b>	0 DLL operation is enabled 1 DLL is disabled
— 26–27	—	—	Reserved	
<b>CORED</b> 28–31	Configuration Pins	Unaffected	<b>Core Division Factor</b>	0000 CORE DF = 1 0001 CORE DF = 2 0010 CORE DF = 3 0011 CORE DF = 4 0100 CORE DF = 5 0101 CORE DF = 6 All other combinations not used.

## 2.6 AC Timings

The following sections include illustrations and tables of clock diagrams, signals, and parallel I/O outputs and inputs. AC timings are based on a 50 pF load, except where noted otherwise, and 50 Ω transmission line.

### 2.6.1 Output Buffer Impedances

**Table 2-9.** Output Buffer Impedances

Output Buffers	Typical Impedance (Ω)
System Bus	35
Memory Controller	35
Parallel I/O	55

**Note:** These are typical values at 65°C. The impedance may vary by ±25% depending on device process and operating temperature.

### 2.6.2 Start-Up Timing

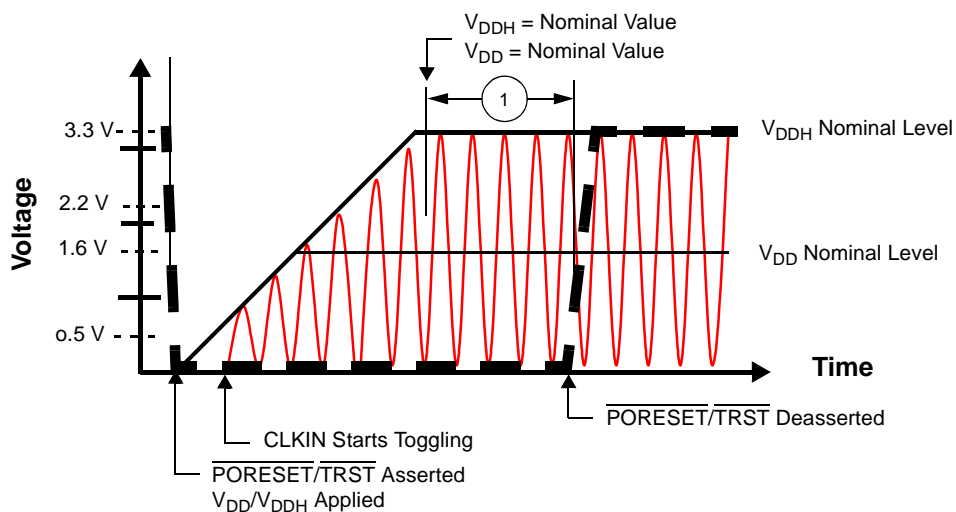
Starting the device requires coordination among several input sequences including clocking, reset, and power.

**Section 2.6.3** describes the clocking characteristics. **Section 2.6.4** describes the reset and power-up characteristics.

You must use the following guidelines when starting up an MSC8103 device:

- $\overline{\text{PORESET}}$  and  $\overline{\text{TRST}}$  must be asserted externally for the duration of the power-up sequence. See **Table 2-14** for timing.
- If possible, bring up the  $V_{DD}$  and  $V_{DDH}$  levels together. For designs with separate power supplies, bring up the  $V_{DDH}$  levels and then the  $V_{DD}$  levels (see **Figure 2-5** and **Figure 2-6**).
- CLKIN can start toggling after  $V_{DDH}$  reaches its nominal level, but it must toggle before  $V_{DD}$  reaches 0.5 V to guarantee correct device operation (see **Figure 2-4** and **Figure 2-6**).

The following figures show acceptable start-up sequence examples. **Figure 2-4** shows a sequence in which  $V_{DD}$  and  $V_{DDH}$  are raised together. **Figure 2-5** shows a sequence in which CLKIN starts toggling after  $V_{DDH}$  reaches its nominal level and before  $V_{DD}$  is applied. **Figure 2-6** shows a sequence in which  $V_{DD}$  is raised after  $V_{DDH}$  and CLKIN begins to toggle shortly before  $V_{DD}$  reaches the 0.5 V level.



**Figure 2-4.** Start-Up Sequence with  $V_{DD}$  and  $V_{DDH}$  Raised Together

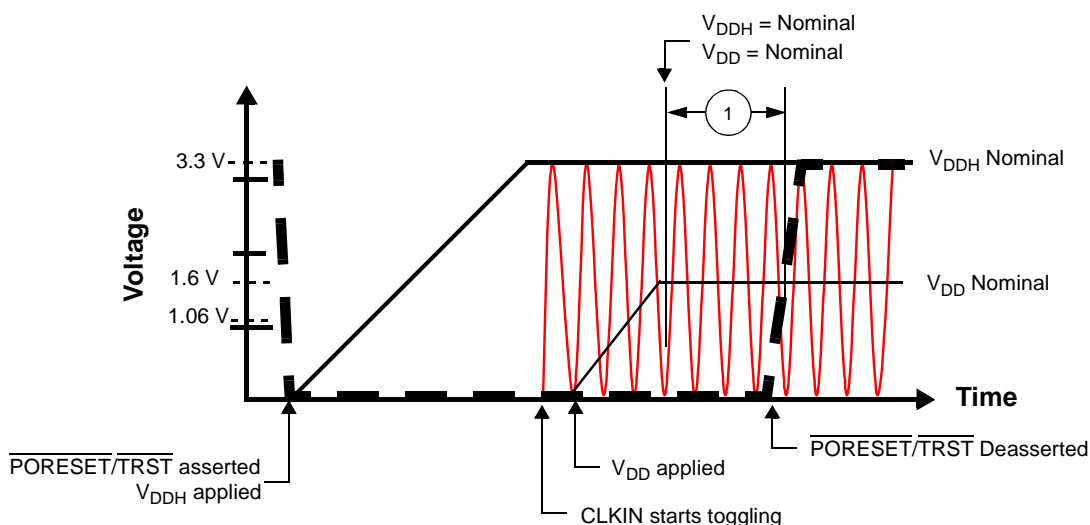


Figure 2-5. Start-Up Sequence with CLKIN Started After  $V_{DDH}$  and Before  $V_{DD}$

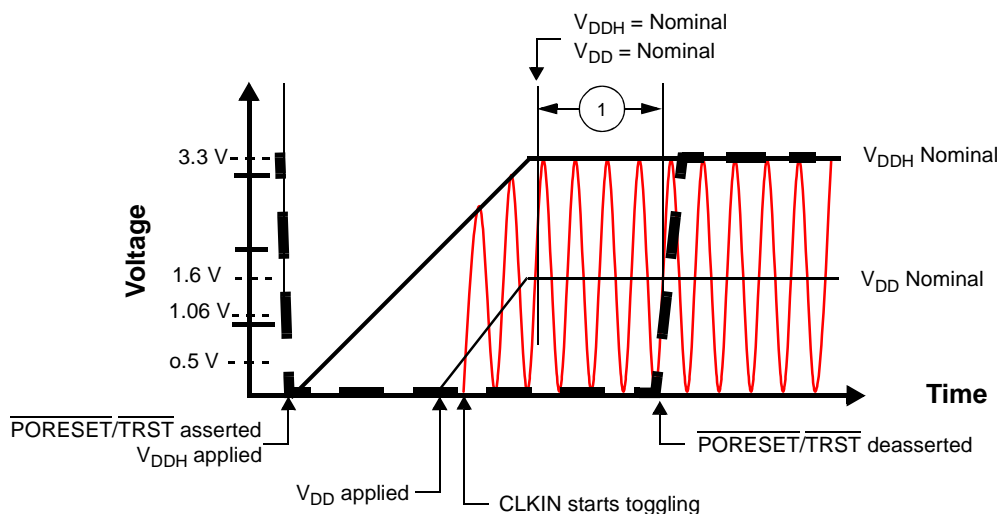


Figure 2-6. Start-Up Sequence with  $V_{DDH}$  Raised Before  $V_{DD}$  with CLKIN Started Before  $V_{DD} = 0.5$  V

### 2.6.3 Clocking and Timing Characteristics

Table 2-10. System Clock Parameters

Characteristic	Minimum	Maximum	Unit
Phase Jitter between BCLK and DLLIN	—	0.5	ns
CLKIN frequency <sup>1,2</sup>	18	100	MHz
CLKIN slope	—	5	ns
DLLIN slope	—	2	ns
CLKOUT frequency jitter	—	(0.01/CLKOUT) + CLKIN jitter	ns
Delay between CLKOUT and DLLIN	—	5	ns
<b>Notes:</b>	<p>1. Low CLKIN frequency causes poor PLL performance. Choose a CLKIN frequency high enough to keep the frequency after the predivider (SPLLMFCLK) higher than 18 MHz.</p> <p>2. CLKIN should have a 50% ± 5% duty cycle.</p>		



**Table 2-11.** Clock Ranges

Clock	Symbol	Maximum Rated Core Frequency		
		All	Max. Values for SC140 Clock Rating of:	
		Min	275 MHz	300 MHz
Input Clock	CLKIN	18 MHz	91.67 MHz	100 MHz
SPLL MF Clock	SPLLMFCLK	18 MHz	34.38 MHz	37.5 MHz
Bus/Output	BCLK CLKOUT	18 MHz	91.67 MHz	100 MHz
Serial Communications Controller	SCLK	35 MHz	91.67 MHz	100 MHz
Communications Processor Module	CPMCLK	70 MHz	183.3 MHz	200 MHz
SC140 Core	DSPCLK	72 MHz	275 MHz	300 MHz
Baud Rate Generator	BRGCLK			
<ul style="list-style-type: none"> <li>• For BRG DF = 4</li> <li>• For BRG DF = 16 (default)</li> <li>• For BRG DF = 64</li> <li>• For BRG DF = 256</li> </ul>		36 MHz 9 MHz 2.25 MHz 562.5 KHz	91.67 MHz 22.91 MHz 5.73 MHz 1.43 MHz	100 MHz 25 MHz 6.25 MHz 1.56 MHz

## 2.6.4 Reset Timing

The MSC8103 has several inputs to the reset logic:

- Power-on reset ( $\overline{\text{PORESET}}$ )
- External hard reset ( $\overline{\text{HRESET}}$ )
- External soft reset ( $\overline{\text{SRESET}}$ )

Asserting an external  $\overline{\text{PORESET}}$  causes concurrent assertion of an internal  $\overline{\text{PORESET}}$  signal,  $\overline{\text{HRESET}}$ , and  $\overline{\text{SRESET}}$ . When the external  $\overline{\text{PORESET}}$  signal is deasserted, the MSC8103 samples several configuration pins:

- $\overline{\text{RSTCONF}}$ —determines whether the MSC8103 is a master (0) or slave (1) device
- DBREQ—determines whether to operate in normal mode (0) or invoke the SC140 debug mode (1)
- HPE—disable (0) or enable (1) the host port (HDI16)
- BTM[0–1]—boot from external memory (00) or the HDI16 (01)

All these reset sources are fed into the reset controller, which takes different actions depending on the source of the reset. The reset status register indicates the last sources to cause a reset. **Table 2-12** describes reset causes.

**Table 2-12.** Reset Causes

Name	Direction	Description
Power-on reset ( $\overline{\text{PORESET}}$ )	Input	$\overline{\text{PORESET}}$ initiates the power-on reset flow that resets all the MSC8103s and configures various attributes of the MSC8103, including its clock mode.
Hard reset ( $\overline{\text{HRESET}}$ )	Input/Output	The MSC8103 can detect an external assertion of $\overline{\text{HRESET}}$ only if it occurs while the MSC8103 is not asserting reset. During $\overline{\text{HRESET}}$ , $\overline{\text{SRESET}}$ is asserted. $\overline{\text{HRESET}}$ is an open-drain pin.
Soft reset ( $\overline{\text{SRESET}}$ )	Input/Output	The MSC8103 can detect an external assertion of $\overline{\text{SRESET}}$ only if it occurs while the MSC8103 is not asserting reset. $\overline{\text{SRESET}}$ is an open-drain pin.

### 2.6.4.1 Reset Operation

The reset control logic determines the cause of a reset, synchronizes it if necessary, and resets the appropriate logic modules. The memory controller, system protection logic, interrupt controller, and parallel I/O pins are initialized only on hard reset. Soft reset initializes the internal logic while maintaining the system configuration. The MSC8103 has three mechanisms for reset configuration: host reset configuration, hardware reset configuration, and reduced reset configuration.

### 2.6.4.2 Power-On Reset Flow

Asserting the  $\overline{\text{PORESET}}$  external pin initiates the power-on reset flow.  $\overline{\text{PORESET}}$  should be asserted externally for at least 16 input clock cycles after external power to the MSC8103 reaches at least  $2/3 V_{CC}$ . As **Table 2-13** shows, the MSC8103 has five configuration pins, four of which are multiplexed with the SC140 EONCE Event (EE[0–1], EE[4–5]) pins and the fifth of which is the  $\overline{\text{RSTCONF}}$  pin. These pins are sampled at the rising edge of  $\overline{\text{PORESET}}$ . In addition to these configuration pins, three (MODCK[1–3]) pins are sampled by the MSC8103. The signals on these pins and the MODCK\_H value in the Hard Reset Configuration Word determine the PLL locking mode, by defining the ratio between the DSP clock, the bus clocks, and the CPM clock frequencies.

**Table 2-13.** External Configuration Signals

Pin	Description	Settings
RSTCONF	<b>Reset Configuration</b> Input line sampled by the MSC8103 at the rising edge of $\overline{\text{PORESET}}$ .	0 Reset Configuration Master. 1 Reset Configuration Slave.
DBREQ/ EE0	<b>EONCE Event Bit 0</b> Input line sampled after SC140 core PLL locks. Holding EE0 high when $\overline{\text{PORESET}}$ is deasserted puts the SC140 into Debug mode.	0 SC140 starts the normal processing mode after reset. 1 SC140 enters Debug mode immediately after reset.
HPE/EE1	<b>Host Port Enable</b> Input line sampled at the rising edge of $\overline{\text{PORESET}}$ . If asserted, the Host port is enabled, the system data bus is 32-bit wide, and the Host <i>must</i> program the reset configuration word.	0 Host port disabled (hardware reset configuration enabled). 1 Host port enabled.
BTM[0–1]/ EE[4–5]	<b>Boot Mode</b> Input lines sampled at the rising edge of $\overline{\text{PORESET}}$ , which determine the MSC8103 Boot mode.	00 MSC8103 boots from external memory. 01 MSC8103 boots from HDI16. 10 Reserved. 11 Reserved.

**Table 2-14.** Reset Timing

No.	Characteristics	Expression	Min	Max	Unit
1	Required external $\overline{\text{PORESET}}$ duration minimum • CLKIN = 18 MHz • CLKIN = 75 MHz	$16 / \text{CLKIN}$	888.8 213.3	— —	ns ns
2	Delay from deassertion of external $\overline{\text{PORESET}}$ to deassertion of internal $\overline{\text{PORESET}}$ • CLKIN = 18 MHz • CLKIN = 75 MHz	$1024 / \text{CLKIN}$	56.89 13.65		$\mu\text{s}$ $\mu\text{s}$
3	Delay from deassertion of internal $\overline{\text{PORESET}}$ to SPLL lock • SPLL MFCLK = 18 MHz • SPLL MFCLK = 25 MHz	$800 / \text{SPLL MFCLK}$	44.4 32.0		$\mu\text{s}$ $\mu\text{s}$

**Table 2-14.** Reset Timing (Continued)

No.	Characteristics	Expression	Min	Max	Unit
4	Delay from SPLL lock to DLL lock <ul style="list-style-type: none"> <li>• DLL enabled                             <ul style="list-style-type: none"> <li>— BCLK = 18 MHz</li> <li>— BCLK = 75 MHz</li> </ul> </li> <li>• DLL disabled</li> </ul>	3073 / BCLK			
			170.72		μs
			40.97		μs
5	Delay from SPLL lock to $\overline{\text{HRESET}}$ deassertion <ul style="list-style-type: none"> <li>• DLL enabled                             <ul style="list-style-type: none"> <li>— BCLK = 18 MHz</li> <li>— BCLK = 75 MHz</li> </ul> </li> <li>• DLL disabled                             <ul style="list-style-type: none"> <li>— BCLK = 18 MHz</li> <li>— BCLK = 75 MHz</li> </ul> </li> </ul>	3585 / BCLK			
			199.17		μs
		512 / BCLK	47.5		μs
			28.4		μs
		6.83			μs
					μs
6	Delay from SPLL lock to $\overline{\text{SRESET}}$ deassertion <ul style="list-style-type: none"> <li>• DLL enabled                             <ul style="list-style-type: none"> <li>— BCLK = 18 MHz</li> <li>— BCLK = 75 MHz</li> </ul> </li> <li>• DLL disabled                             <ul style="list-style-type: none"> <li>— BCLK = 18 MHz</li> <li>— BCLK = 75 MHz</li> </ul> </li> </ul>	3588 / BCLK			
			199.33		μs
		515 / BCLK	47.84		μs
			28.61		μs
		6.87			μs
					μs
<b>Note:</b> Value given for lowest possible CLKIN frequency 18 MHz to ensure proper initialization of reset sequence.					

### 2.6.4.3 Host Reset Configuration

Host reset configuration allows the host to program the reset configuration word via the Host port after  $\overline{\text{PORESET}}$  is deasserted, as described in the *MSC8103 Reference Manual*. The MSC8103 samples the signals described in **Table 2-13** on the rising edge of  $\overline{\text{PORESET}}$  when the signal is deasserted.

If HPE is sampled high, the host port is enabled. In this mode the  $\overline{\text{RSTCONF}}$  pin *must* be pulled up. The device extends the internal  $\overline{\text{PORESET}}$  until the host programs the reset configuration word register. The host must write four 8-bit half-words to the Host Reset Configuration Register address to program the reset configuration word, which is 32 bits wide. For more information, see the *MSC8103 Reference Manual*. The reset configuration word is programmed before the internal PLL and DLL in the MSC8103 are locked. The host must program it after the rising edge of the  $\overline{\text{PORESET}}$  input. In this mode, the host must have its own clock that does not depend on the MSC8103 clock. After the PLL and DLL are locked,  $\overline{\text{HRESET}}$  remains asserted for another 512 bus clocks and is then released. The  $\overline{\text{SRESET}}$  is released three bus clocks later (see **Figure 2-7**).

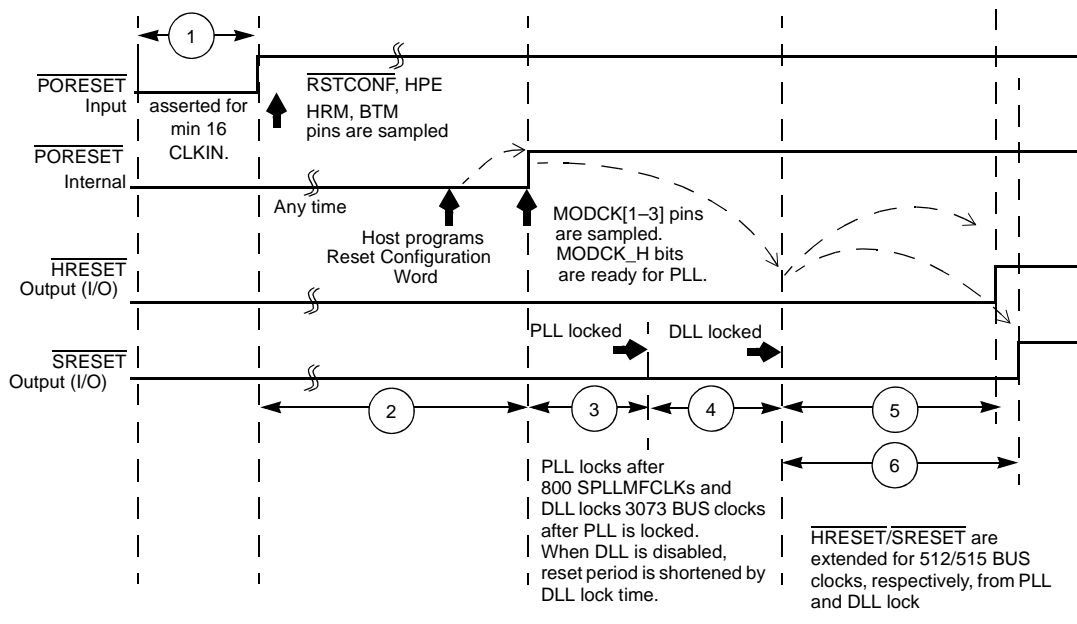


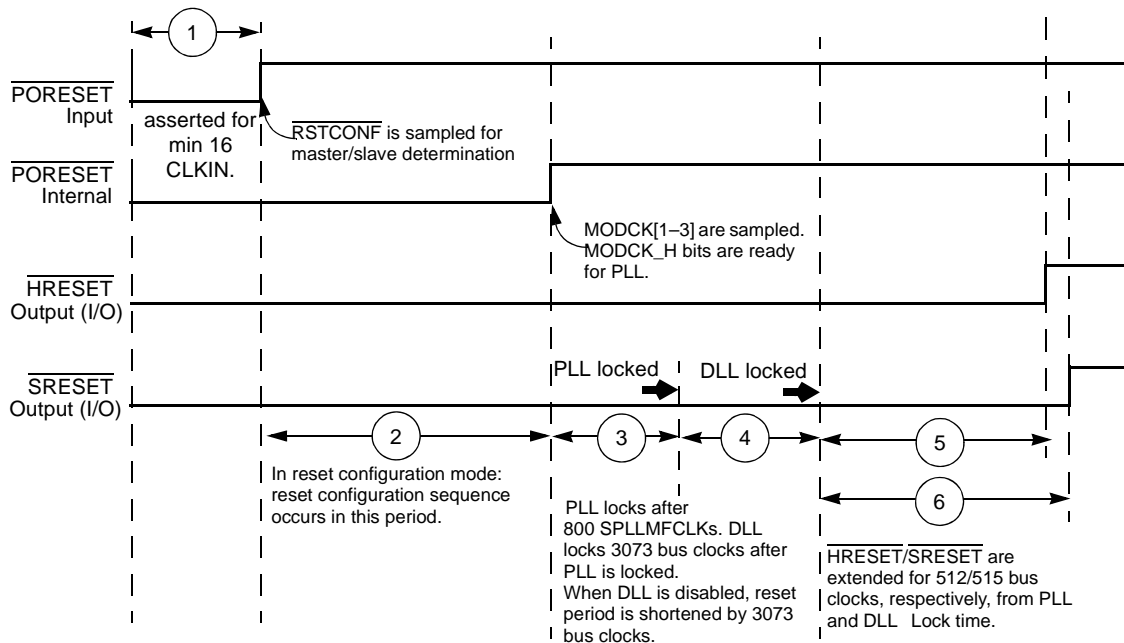
Figure 2-7. Host Reset Configuration Timing

### 2.6.4.4 Hardware Reset Configuration

Hardware reset configuration is enabled if HPE is sampled low at the rising edge of  $\overline{\text{PORESET}}$ . The value driven on  $\overline{\text{RSTCONF}}$  while  $\overline{\text{PORESET}}$  changes from assertion to deassertion determines the MSC8103 configuration. If  $\overline{\text{RSTCONF}}$  is deasserted (driven high) while  $\overline{\text{PORESET}}$  changes, the MSC8103 acts as a configuration slave. If  $\overline{\text{RSTCONF}}$  is asserted (driven low) while  $\overline{\text{PORESET}}$  changes, the MSC8103 acts as a configuration master. **Section 2.6.4.4, Hardware Reset Configuration**, explains the configuration sequence and the terms “configuration master” and “configuration slave.”

Directly after the deassertion of  $\overline{\text{PORESET}}$  and choice of the reset operation mode as configuration master or configuration slave, the MSC8103 starts the configuration process. The MSC8103 asserts  $\overline{\text{HRESET}}$  and  $\overline{\text{SRESET}}$  throughout the power-on reset process, including configuration. Configuration takes 1024 CLOCKIN cycles, after which MODCK[1–3] are sampled to determine the MSC8103’s working mode.

Next, the MSC8103 halts until the SPLL locks. The SPLL locks according to MODCK[1–3], which are sampled, and to MODCK\_H taken from the Reset Configuration Word. SPLL locking time is 800 reference clocks, which is the clock at the output of the SPLL Pre-divider. After the SPLL is locked, all the clocks to the MSC8103 are enabled. If the DLLDIS bit in the reset configuration word is reset, the DLL starts the locking process after the SPLL is locked. During PLL and DLL locking,  $\overline{\text{HRESET}}$  and  $\overline{\text{SRESET}}$  are asserted.  $\overline{\text{HRESET}}$  remains asserted for another 512 BUS clocks and is then released. The  $\overline{\text{SRESET}}$  is released three bus clocks later. If the DLLDIS bit in the reset configuration word is set, the DLL is bypassed and there is no locking process, thus saving the DLL locking time. **Figure 2-8** shows the power-on reset flow.



**Figure 2-8.** Hardware Reset Configuration Timing

## 2.6.5 System Bus Access Timing

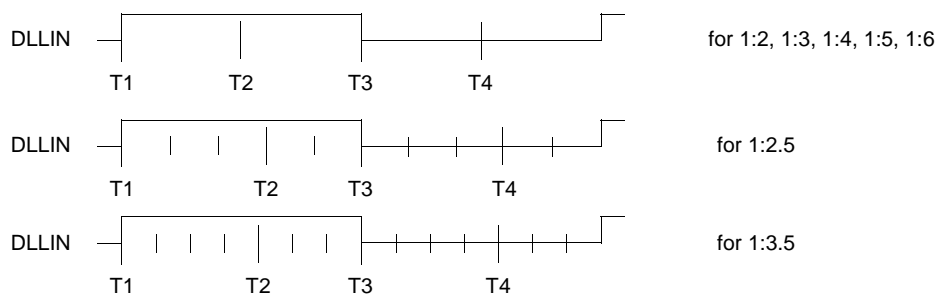
### 2.6.5.1 Core Data Transfers

Generally, all MSC8103 bus and system output signals are driven from the rising edge of the reference clock (REFCLK), which is DLLIN. Memory controller signals, however, trigger on four points within a DLLIN cycle. Each cycle is divided by four internal ticks: T1, T2, T3, and T4. T1 always occurs at the rising edge of DLLIN (and T3 at the falling edge), but the spacing of T2 and T4 depends on the PLL clock ratio selected, as **Table 2-15** shows.

**Table 2-15.** Tick Spacing for Memory Controller Signals

PLL Clock Ratio	Tick Spacing (T1 Occurs at the Rising Edge of DLLIN)		
	T2	T3	T4
1:2, 1:3, 1:4, 1:5, 1:6	1/4 DLLIN	1/2 DLLIN	3/4 DLLIN
1:2.5	3/10 DLLIN	1/2 DLLIN	8/10 DLLIN
1:3.5	4/14 DLLIN	1/2 DLLIN	11/14 DLLIN

**Figure 2-9** is a graphical representation of **Table 2-15**.



**Figure 2-9.** Internal Tick Spacing for Memory Controller Signals

**Note:** The UPM machine and GPCM machine outputs change on the internal tick determined by the memory controller programming; the AC specifications are relative to the internal tick. SDRAM machine outputs change only on the DLLIN rising edge.

**Table 2-16.** AC Timing for SIU Inputs

No.	Characteristic	Value <sup>2</sup>	Units
10	Hold time for all signals after the 50% level of the DLLIN rising edge	0.5	ns
11a	$\overline{ABB/AACK}$ set-up time before the 50% level of the DLLIN rising edge	3.5	ns
11b	$\overline{DBG/DBB/BR/TC}$ set-up time before the 50% level of the DLLIN rising edge	5.0	ns
11c	$\overline{ARTRY}$ set-up time before the 50% level of the DLLIN rising edge	4.0	ns
11d	$\overline{TA}$ set-up time before the 50% level of the DLLIN rising edge <ul style="list-style-type: none"> <li>• Pipeline mode</li> <li>• Non-pipeline mode</li> </ul>	3.5 4.0	ns ns
11e	$\overline{TEA}$ set-up time before the 50% level of the DLLIN rising edge <ul style="list-style-type: none"> <li>• Pipeline mode</li> <li>• Non-pipeline mode</li> </ul>	4.0 3.0	ns ns
11f	$\overline{PSDVAL}$ set-up time before the 50% level of the DLLIN rising edge <ul style="list-style-type: none"> <li>• Pipeline mode</li> <li>• Non-pipeline mode</li> </ul>	3.5 3.5	ns ns
11g	$\overline{TS}$ set-up time before the 50% level of the DLLIN rising edge	5.0	ns
11h	$\overline{BG}$ set-up time before the 50% level of the DLLIN rising edge	4.5	ns
12	Data bus set-up time before the 50% level of the DLLIN rising edge in Normal <ul style="list-style-type: none"> <li>• Pipeline mode</li> <li>• Non-pipeline mode</li> </ul>	2.5 5.0	ns ns
13	Data bus set-up time before the 50% level of the DLLIN rising edge in ECC and PARITY modes <ul style="list-style-type: none"> <li>• Pipeline mode</li> <li>• Non-pipeline mode</li> </ul>	2.5 8.0	ns ns
14	DP set-up time before the 50% level of the DLLIN rising edge <ul style="list-style-type: none"> <li>• Pipeline mode</li> <li>• Non-pipeline mode</li> </ul>	4.0 9.0	ns ns
15a	Address bus set-up time before the 50% level of the DLLIN rising edge <ul style="list-style-type: none"> <li>• Extra cycle mode (SIUBCR[EXDD] = 0)</li> <li>• Non-extra cycle mode (SIUBCR[EXDD] = 1)</li> </ul>	5.0 8.0	ns ns
15b	Address attributes: $\overline{TT/TBST/TSIZ/GBL}$ set-up time before the 50% level of the DLLIN rising edge <ul style="list-style-type: none"> <li>• Extra cycle mode (SIUBCR[EXDD] = 0)</li> <li>• Non-extra cycle mode (SIUBCR[EXDD] = 1)</li> </ul>	5.0 5.5	ns ns
16 <sup>1</sup>	$\overline{PUPMWAIT/IRQ}$ signals set-up time before the 50% level of the DLLIN rising edge	3.0	ns
<b>Notes:</b>	1. The set-up time for these signals is for synchronous operation. Any set-up time can be used for asynchronous operation. 2. Input specifications are measured from the 50% level of the rising edge of DLLIN to the 50% level of the signal. Timings are measured at the pin.		

**Table 2-17.** AC Timing for SIU Outputs

No.	Characteristic	Min.	Maximum <sup>2</sup>		Units
			30 pF	50 pF	
31a	$\overline{TA}$ delay from the 50% level of the DLLIN rising edge <ul style="list-style-type: none"> <li>• Pipeline mode</li> <li>• Non-pipeline mode</li> </ul>	1.0	5.0	6.5	ns
		1.0	4.0	5.5	ns
31b	$\overline{TEA}$ delay from the 50% level of the DLLIN rising edge <ul style="list-style-type: none"> <li>• Pipeline mode</li> <li>• Non-pipeline mode</li> </ul>	1.0	3.0	4.5	ns
		1.0	3.5	5.0	ns
31c	$\overline{PSDVAL}$ delay from the 50% level of the DLLIN rising edge <ul style="list-style-type: none"> <li>• Pipeline mode</li> <li>• Non-pipeline mode</li> </ul>	1.0	4.0	5.5	ns
		1.0	3.5	5.0	ns
32a	Address bus delay from the 50% level of the DLLIN rising edge <ul style="list-style-type: none"> <li>• Multi master mode (SIUBCR[EBM] = 1)</li> <li>• Single master mode (SIUBCR[EBM] = 0)</li> </ul>	1.0	6.3	7.8	ns
		1.0	5.5	7.0	ns
32b	Address attributes: $\overline{TT}/\overline{TBST}/\overline{TSIZ}/\overline{GBL}$ delay from the 50% level of the DLLIN rising edge	1.0	5.5	7.0	ns
32c	$\overline{BADDR}$ delay from the 50% level of the DLLIN rising edge	1.0	3.5	5.0	ns
33a	Data bus delay from the 50% level of the DLLIN rising edge <ul style="list-style-type: none"> <li>• Pipeline mode</li> <li>• Non-pipeline mode</li> </ul>	1.0	5.0	6.5	ns
		1.0	6.0	7.5	ns
33b	DP delay from the 50% level of the DLLIN rising edge <ul style="list-style-type: none"> <li>• Pipeline mode</li> <li>• Non-pipeline mode</li> </ul>	1.0	4.0	5.5	ns
		1.0	6.5	8.0	ns
34	Memory controller signals/ALE delay from the 50% level of the DLLIN rising edge	1.0	5.5	7.0	ns
35a	$\overline{DBG}/\overline{BR}/\overline{DBB}$ delay from the 50% level of the DLLIN rising edge	1.0	4.0	5.5	ns
35b	$\overline{AACK}/\overline{ABB}/\overline{CS}$ delay from the 50% level of the DLLIN rising edge	1.0	4.5	6.0	ns
35c	$\overline{BG}$ delay from the 50% level of the DLLIN rising edge	1.0	4.0	5.5	ns
35d	$\overline{TS}$ delay from the 50% level of the DLLIN rising edge	1.0	3.5	5.0	ns
36	Delay from the 50% level of the DLLIN rising edge for all other signals	1.0	4.5	6.0	ns
<b>Notes:</b> <ol style="list-style-type: none"> <li>The maximum bus frequency depends on the mode:           <ul style="list-style-type: none"> <li>• In 60x-compatible mode connected to another MSC8103 device, the frequency is determined by adding the input and output longest timing values, which results in a frequency of 75 MHz for 30 pF output capacitance. In multi-master mode when connected to another MSC8103 device, the frequency is determined by adding the input and output longest timing values, which results in a frequency of 75 MHz for 30 pF output capacitance.</li> <li>• Certain bus modes, such as non-extra cycle (EXDD = 1), non-pipelined, and ECC/Parity modes, result in slower bus frequencies.</li> <li>• In single-master mode, the frequency depends on the timing of the devices connected to the MSC8103.</li> </ul> </li> <li>Output specifications are measured from the 50% level of the rising edge of DLLIN to the 50% level of the signal. Timings are measured at the pin.</li> </ol>					



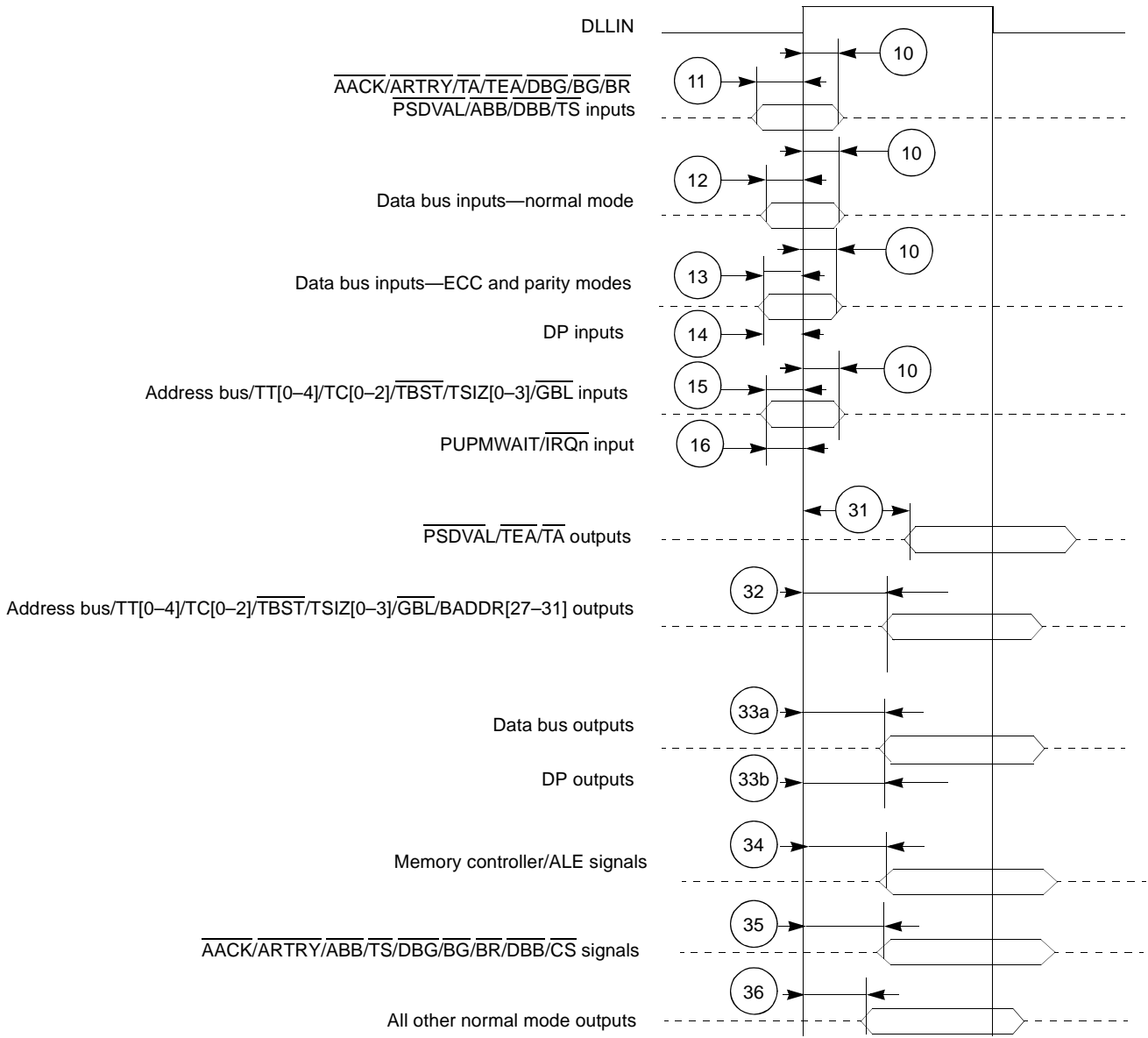


Figure 2-10. Bus Signal Timing

## 2.6.5.2 DMA Data Transfers

Table 2-18 describes the DMA signal timing.

Table 2-18. DMA Signals

Number	Characteristic	Minimum	Maximum	Units
72	DREQ set-up time before DLLIN falling edge	6	—	ns
73	DREQ hold time after DLLIN falling edge	0.5	—	ns
74	$\overline{\text{DONE}}$ set-up time before DLLIN rising edge	9	—	ns
75	$\overline{\text{DONE}}$ hold time after DLLIN rising edge	0.5	—	ns
76	$\overline{\text{DACK}}/\overline{\text{DRACK}}/\overline{\text{DONE}}$ delay after DLLIN rising edge	0.5	9	ns

The DREQ signal is synchronized with the falling edge of DLLIN.  $\overline{\text{DONE}}$  timing is relative to the rising edge of DLLIN. To achieve fast response, a synchronized peripheral should assert DREQ according to the timings in Table 2-18. Figure 2-11 shows synchronous peripheral interaction.

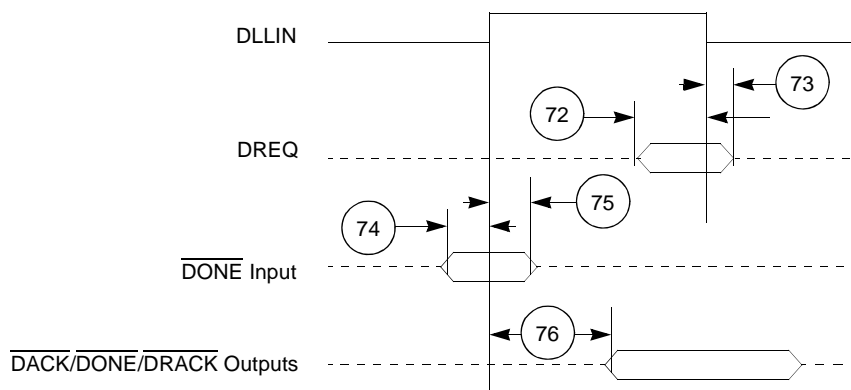


Figure 2-11. DMA Signals

## 2.6.6 HDI16 Signals

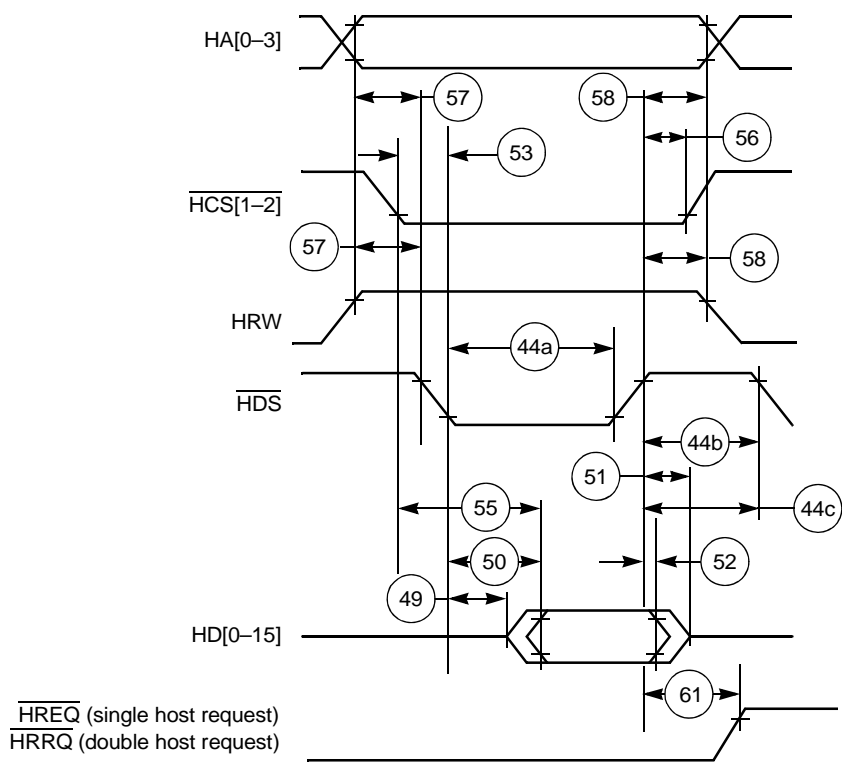
Table 2-19. Host Interface (HDI16) Timing<sup>1, 2</sup>

Number	Characteristics <sup>3</sup>	Expression	Value	Unit
44a	Read data strobe minimum assertion width <sup>4</sup> $\overline{\text{HACK}}$ read minimum assertion width	$(1.5 \times T_C) + 5.0$	Note 11	ns
44b	Read data strobe minimum deassertion width <sup>4</sup> $\overline{\text{HACK}}$ read minimum deassertion width	$T_C + 5.0$	Note 11	ns
44c	Read data strobe minimum deassertion width <sup>4</sup> after “Last Data Register” reads <sup>5,6</sup> , or between two consecutive CVR, ICR, or ISR reads <sup>7</sup> $\overline{\text{HACK}}$ minimum deassertion width after “Last Data Register” reads <sup>5,6</sup>	$(2.5 \times T_C) + 5.0$	Note 11	ns
45	Write data strobe minimum assertion width <sup>8</sup> $\overline{\text{HACK}}$ write minimum assertion width	$(1.5 \times T_C) + 5.0$	Note 11	ns
46	Write data strobe minimum deassertion width <sup>8</sup> $\overline{\text{HACK}}$ write minimum deassertion width after ICR, CVR and Data Register writes <sup>5</sup>	$(2.5 \times T_C) + 5.0$	Note 11	ns
47	Host data input minimum set-up time before write data strobe deassertion <sup>8</sup> Host data input minimum set-up time before $\overline{\text{HACK}}$ write deassertion	—	5.0	ns

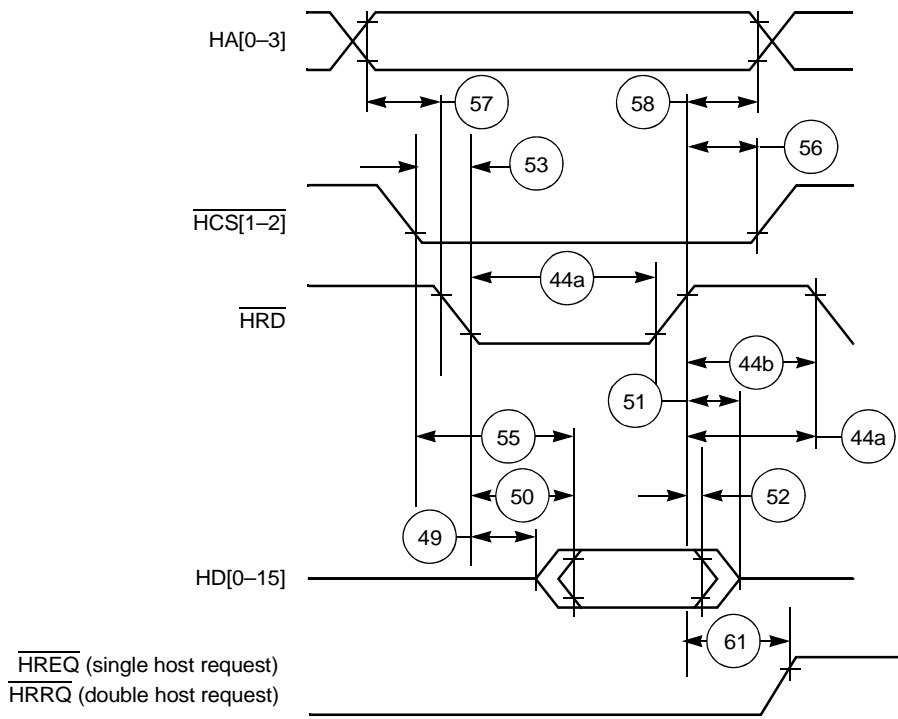
**Table 2-19.** Host Interface (HDI16) Timing<sup>1, 2</sup> (Continued)

Number	Characteristics <sup>3</sup>	Expression	Value	Unit
48	Host data input minimum hold time after write data strobe deassertion <sup>8</sup> Host data input minimum hold time after $\overline{\text{HACK}}$ write deassertion	—	5.0	ns
49	Read data strobe minimum assertion to output data active from high impedance <sup>4</sup> $\overline{\text{HACK}}$ read minimum assertion to output data active from high impedance	—	5.0	ns
50	Read data strobe maximum assertion to output data valid <sup>4</sup> $\overline{\text{HACK}}$ read maximum assertion to output data valid	$(2.0 \times T_C) + 5.0$	Note 11	ns
51	$\overline{\text{Read}}$ data strobe maximum deassertion to output data high impedance <sup>4</sup> $\overline{\text{HACK}}$ read maximum deassertion to output data high impedance	—	5.0	ns
52	Output data minimum hold time after read data strobe deassertion <sup>4</sup> Output data minimum hold time after $\overline{\text{HACK}}$ read deassertion	—	5.0	ns
53	HCS[1–2] minimum assertion to read data strobe assertion <sup>4</sup>	—	5.0	ns
54	HCS[1–2] minimum assertion to write data strobe assertion <sup>8</sup>	—	5.0	ns
55	HCS[1–2] maximum assertion to output data valid	$T_C + 5.0$	Note 11	ns
56	HCS[1–2] minimum hold time after data strobe deassertion <sup>9</sup>	—	0.0	ns
57	HA[0–3], HRW minimum set-up time before data strobe assertion <sup>9</sup> • Read • Write	—	0 5.0	ns ns
58	HA[0–3], HRW minimum hold time after data strobe deassertion <sup>9</sup>	—	5.0	ns
61	Maximum delay from read data strobe deassertion to host request deassertion for “Last Data Register” read <sup>4, 5, 10</sup>	$(3.5 \times T_C) + 5.0$	Note 11	ns
62	Maximum delay from write data strobe deassertion to host request deassertion for “Last Data Register” write <sup>5, 8, 10</sup>	$(3.0 \times T_C) + 5$	Note 11	ns
63	Minimum delay from DMA $\overline{\text{HACK}}$ (OAD=0) or Read/Write data strobe(OAD=1) deassertion to HREQ assertion.	$(5.0 \times T_C) + 5.0$	Note 11	ns
64	Maximum delay from DMA $\overline{\text{HACK}}$ (OAD=0) or Read/Write data strobe(OAD=1) assertion to HREQ deassertion	$(3.5 \times T_C) + 5.0$	Note 11	ns
<b>Notes:</b>	<ol style="list-style-type: none"> <li><math>T_C = 1 / \text{DSPCLK}</math>. At 300 MHz, <math>T_C = 3.3</math> ns</li> <li>In the timing diagrams below, the controls pins are drawn as active low. The pin polarity is programmable.</li> <li><math>V_{CC} = 3.3 \text{ V} \pm 0.3 \text{ V}</math>; <math>T_J = -40^\circ\text{C}</math> to <math>+100^\circ\text{C}</math>, <math>C_L = 50</math> pF</li> <li>The read data strobe is <math>\overline{\text{HRD}}/\overline{\text{HRD}}</math> in the dual data strobe mode and <math>\overline{\text{HDS}}/\overline{\text{HDS}}</math> in the single data strobe mode.</li> <li>In 64-bit mode, The “last data register” is the register at address \$7, which is the last location to be read or written in data transfers. This is RX0/TX0 in the little endian mode (HBE = 0), or RX3/TX3 in the big endian mode (HBE = 1).</li> <li>This timing is applicable only if a read from the “last data register” is followed by a read from the RXL, RXM, or RXH registers without first polling RXDF or HREQ bits, or waiting for the assertion of the <math>\overline{\text{HREQ}}/\overline{\text{HREQ}}</math> signal.</li> <li>This timing is applicable only if two consecutive reads from one of these registers are executed.</li> <li>The write data strobe is HWR in the dual data strobe mode and HDS in the single data strobe mode.</li> <li>The data strobe is host read (<math>\overline{\text{HRD}}/\overline{\text{HRD}}</math>) or host write (<math>\overline{\text{HWR}}/\overline{\text{HWR}}</math>) in the dual data strobe mode and host data strobe (<math>\overline{\text{HDS}}/\overline{\text{HDS}}</math>) in the single data strobe mode.</li> <li>The host request is <math>\overline{\text{HREQ}}/\overline{\text{HREQ}}</math> in the single host request mode and <math>\overline{\text{HRRQ}}/\overline{\text{HRRQ}}</math> and <math>\overline{\text{HTRQ}}/\overline{\text{HTRQ}}</math> in the double host request mode. <math>\overline{\text{HRRQ}}/\overline{\text{HRRQ}}</math> is deasserted only when HORTX fifo is empty, <math>\overline{\text{HTRQ}}/\overline{\text{HTRQ}}</math> is deasserted only if HORTX fifo is full (treat as level Host Request).</li> <li>Compute the value using the expression.</li> </ol>			

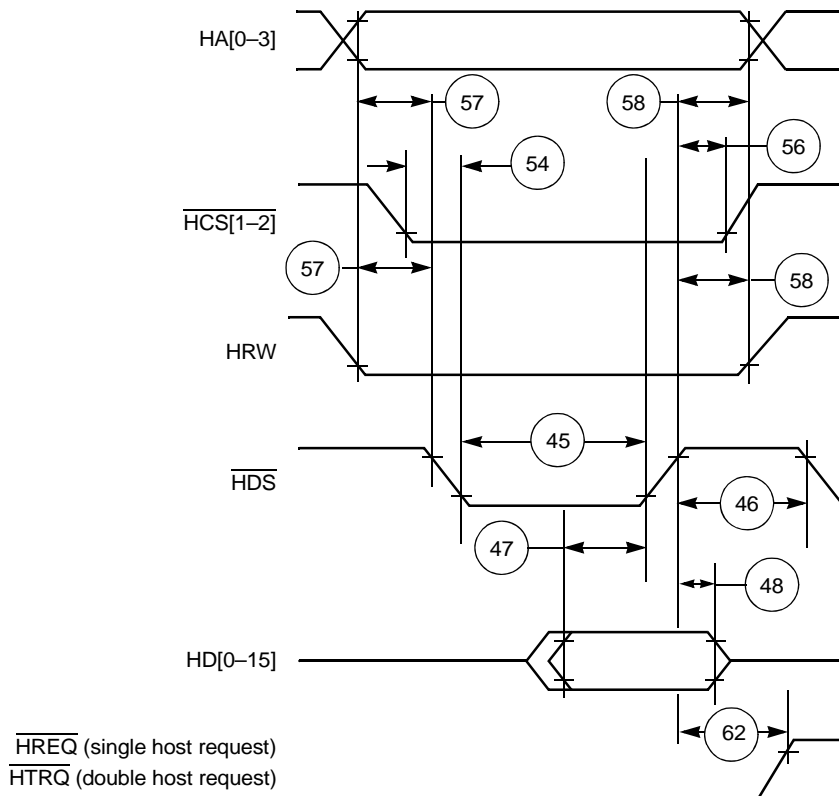
Figure 2-12 and Figure 2-13 show HDI16 read signal timing. Figure 2-14 and Figure 2-15 show HDI16 write signal timing.



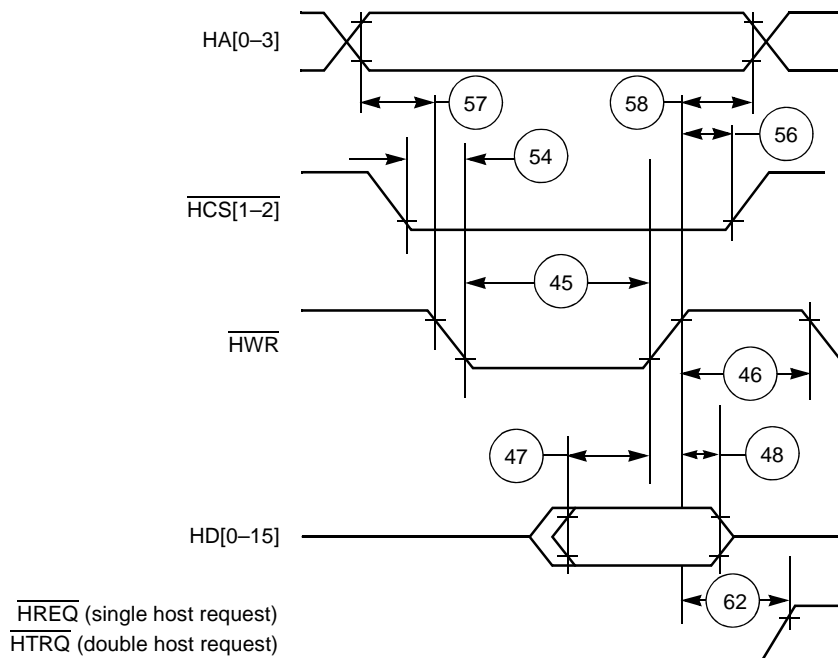
**Figure 2-12.** Read Timing Diagram, Single Data Strobe



**Figure 2-13.** Read Timing Diagram, Double Data Strobe



**Figure 2-14.** Write Timing Diagram, Single Data Strobe



**Figure 2-15.** Write Timing Diagram, Double Data Strobe

Figure 2-16 shows Host DMA read timing.

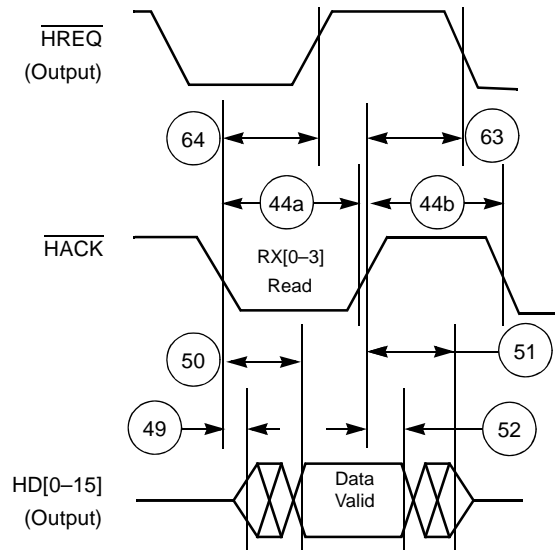


Figure 2-16. Host DMA Read Timing Diagram,  $\text{HPCR}[\text{OAD}] = 0$

Figure 2-17 shows Host DMA write timing.

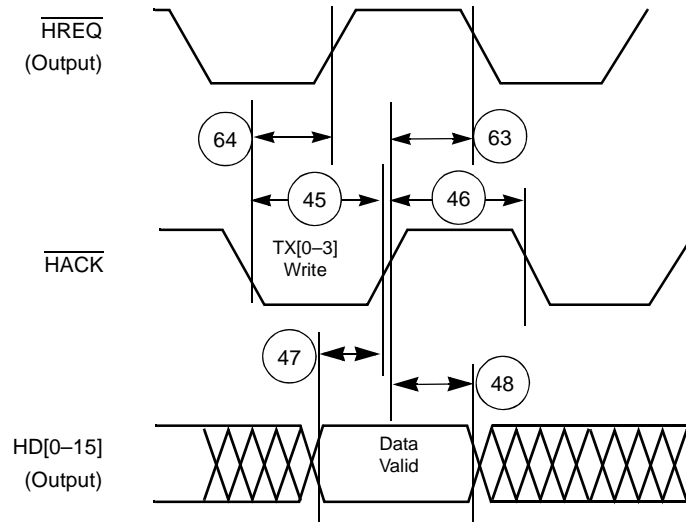


Figure 2-17. Host DMA Write Timing Diagram,  $\text{HPCR}[\text{OAD}] = 0$

## 2.6.7 CPM Timings

**Table 2-20.** CPM Input Characteristics

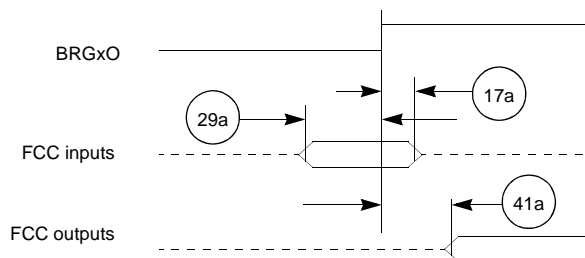
No.	Characteristic	Typical	Unit
39	FCC input set-up time before low-to-high clock transition a. internal clock (BRGxO) b. external clock (serial clock input)	10	ns
		5	ns
17	FCC input hold time after low-to-high clock transition a. internal clock (BRGxO) b. external clock (serial clock input)	0	ns
		3	ns
18	SCC/SMC/SPI/I <sup>2</sup> C input set-up time before low-to-high clock transition a. internal clock (BRGxO) b. external clock (serial clock input)	20	ns
		5	ns
19	SCC/SMC/SPI/I <sup>2</sup> C input hold time after low-to-high clock transition a. internal clock (BRGxO) b. external clock (serial clock input)	0	ns
		5	ns
20	TDM input set-up time before low-to-high serial clock transition	5	ns
21	TDM input hold time after low-to-high serial transition	5	ns
22	PIO/TIMER/DMA input set-up time before low-to-high serial clock transition	10	ns
23	PIO/TIMER/DMA input hold time after low-to-high serial clock transition	3	ns

**Note:** FCC, SCC, SMC, SPI, I<sup>2</sup>C are non-multiplexed serial interface signals.

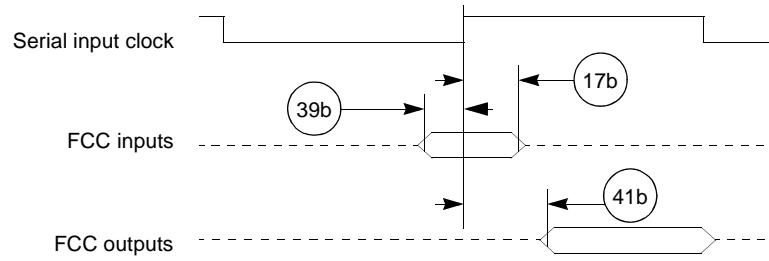
**Table 2-21.** CPM Output Characteristics

No.	Characteristic	Min	Max	Unit
41	FCC output delay after low-to-high clock transition a. internal clock (BRGxO) b. external clock (serial input clock)	0	6	ns
		2	18	ns
38	SCC/SMC/SPI/I <sup>2</sup> C output delay after low-to-high clock transition a. internal clock (BRGxO) b. external clock (serial input clock)	0	20	ns
		0	30	ns
40	TDM output delay after low-to-high serial clock transition	5	15	ns
42	PIO/TIMER/DMA output delay after low-to-high serial clock transition	1	14	ns

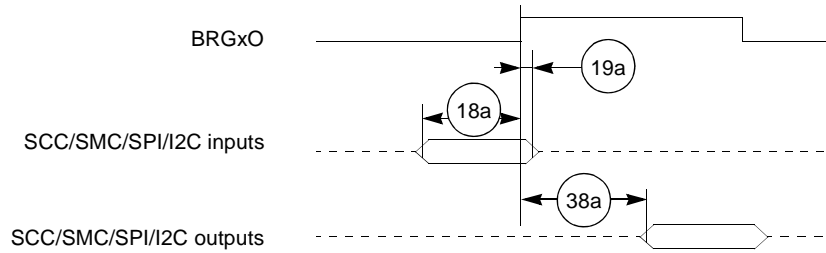
**Note:** FCC, SCC, SMC, SPI, I<sup>2</sup>C are Non-Multiplexed Serial Interface signals.



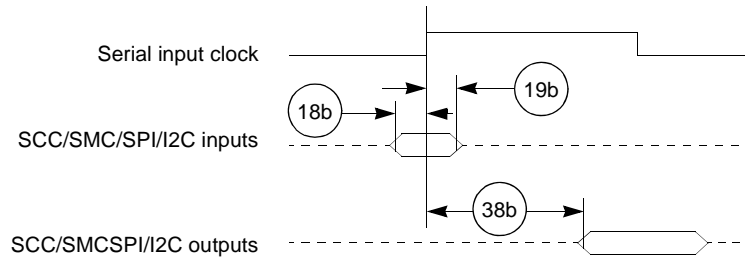
**Figure 2-18.** FCC Internal Clock Diagram



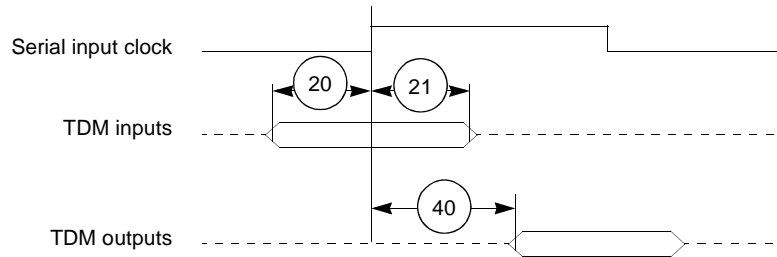
**Figure 2-19.** FCC External Clock Diagram



**Figure 2-20.** SCC/SMC/SPI/I<sup>2</sup>C Internal Clock Diagram

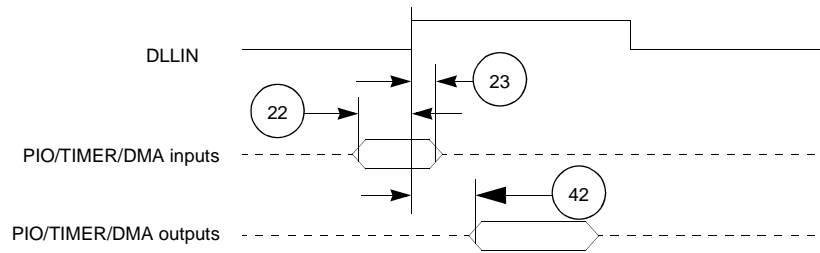


**Figure 2-21.** SCC/SMC/SPI/I<sup>2</sup>C External Clock Diagram



**Figure 2-22.** TDM Signal Diagram





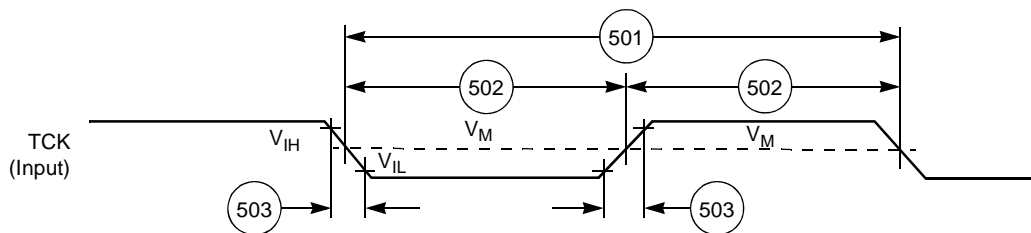
**Figure 2-23.** PIO, Timer, and DMA Signal Diagram

**Note:** The timing values refer to minimum system timing requirements. Actual implementation requires conformance to the specific protocol requirements. Refer to **Chapter 1** to identify the specific input and output signals associated with the referenced internal controllers and supported communication protocols. For example, FCC1 supports ATM/Utopia operation in slave mode, multi-PHY master direct polling mode, and multi-PHY master multiplexed polling mode and each of these modes supports its own set of signals; the direction (input or output) of some of the shared signal names depends on the selected mode.

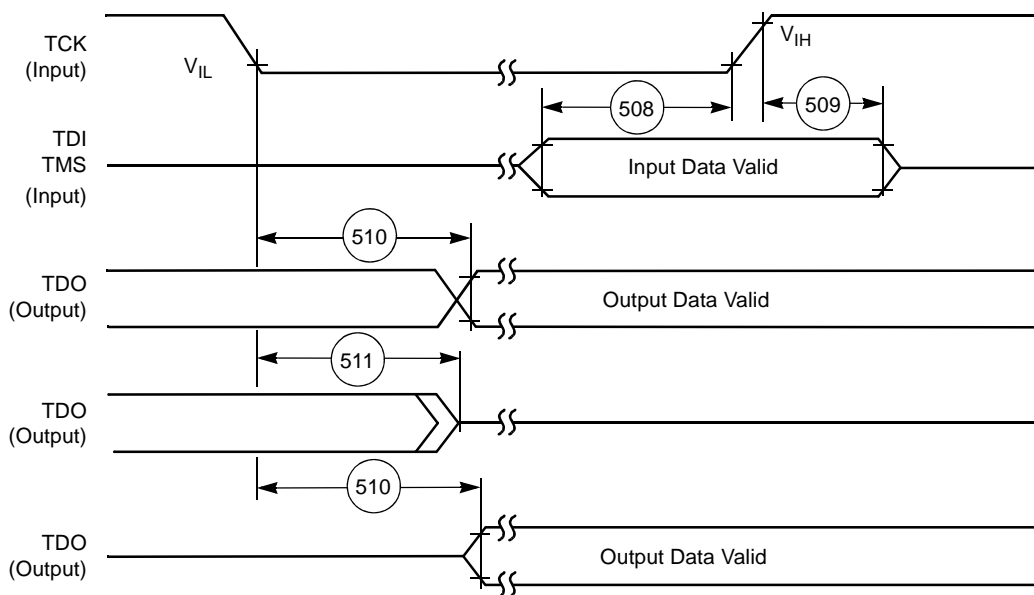
## 2.6.8 JTAG Signals

**Table 2-22.** JTAG Timing

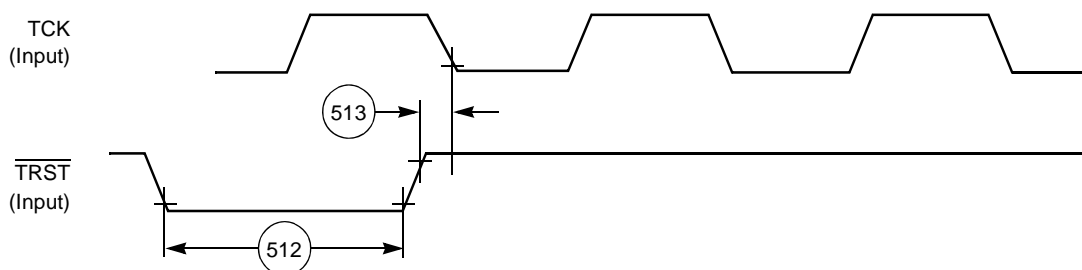
No.	Characteristics	All frequencies		Unit
		Min	Max	
500	TCK frequency of operation	0.0	40.0	MHz
501	TCK cycle time	25.0	—	ns
502	TCK clock pulse width measured at 1.6 V	12.5	—	ns
503	TCK rise and fall times	0.0	3.0	ns
508	TMS, TDI data set-up time	6.0	—	ns
509	TMS, TDI data hold time	3.0	—	ns
510	TCK low to TDO data valid	0.0	15.0	ns
511	TCK low to TDO high impedance	0.0	20.0	ns
512	$\overline{\text{TRST}}$ assert time	100.0	—	ns
513	$\overline{\text{TRST}}$ set-up time to TCK low	40.0	—	ns



**Figure 2-24.** Test Clock Input Timing Diagram



**Figure 2-25.** Test Access Port Timing Diagram



**Figure 2-26.**  $\overline{\text{TRST}}$  Timing Diagram

# Packaging

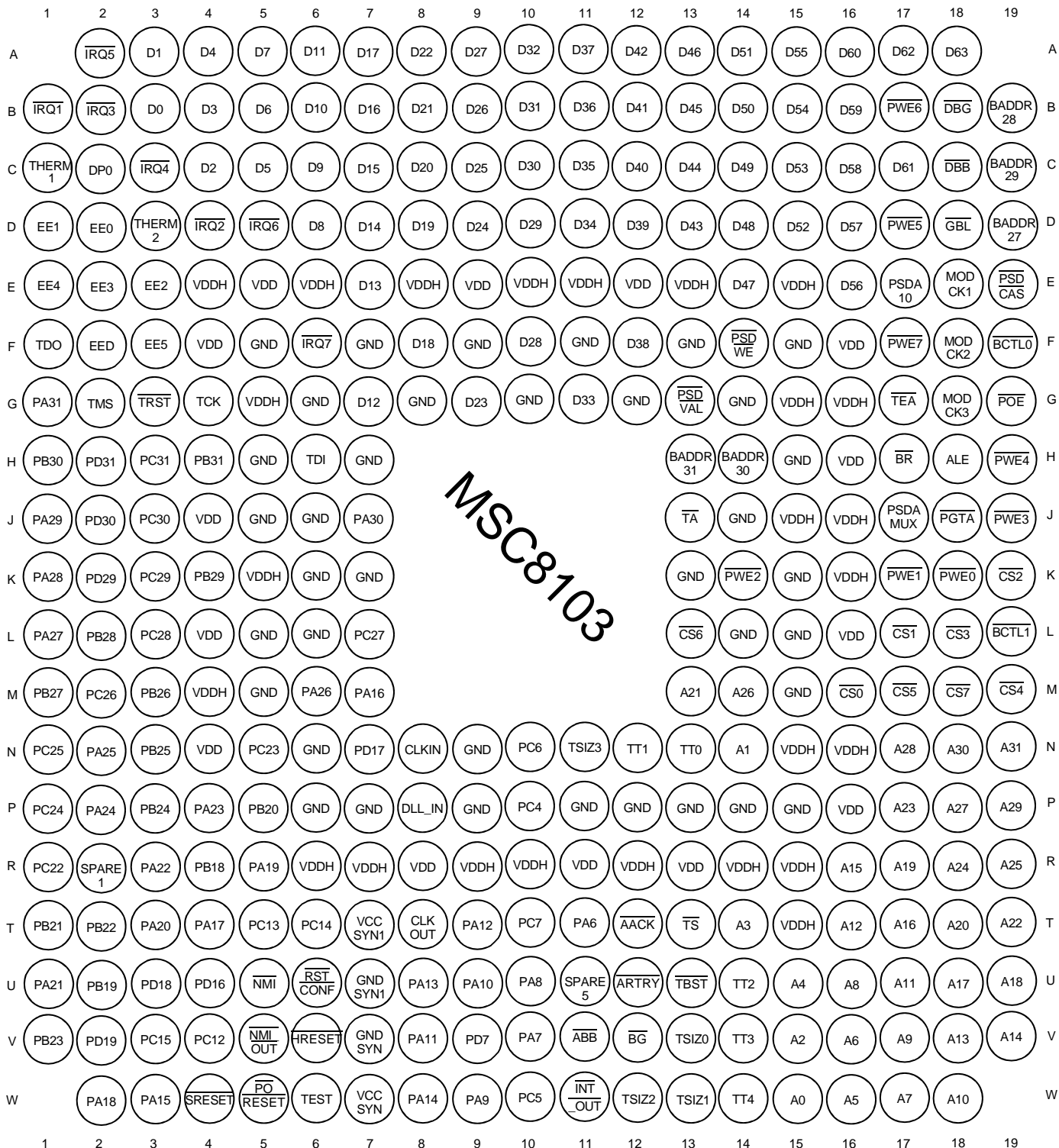
This chapter provides information about the MSC8103 package, including diagrams of the package pinouts and tables showing how the signals discussed in **Chapter 1** are allocated. The MSC8103 is available in a 332-pin lidded flip chip-plastic ball grid array (FC-PBGA).

## 3.1 FC-PBGA Package Description

**Figure 3-1** and **Figure 3-2** show top and bottom views of the FC-PBGA package, including pinouts. **Table 3-1** lists the MSC8103 signals alphabetically by signal name. Connections with multiple names are listed individually by each name. Signals with programmable polarity are shown both as signals which are asserted low (default) and high (that is,  $\overline{\text{NAME}}/\text{NAME}$ ). **Table 3-2** lists the signals numerically by pin number. Each pin number is listed once with the various signals that are multiplexed to it. For simplicity, signals with programmable polarity are shown in this table only with their default name (asserted low).

**Note:** The package description in this chapter applies to packages with lead-bearing and lead-free spheres.

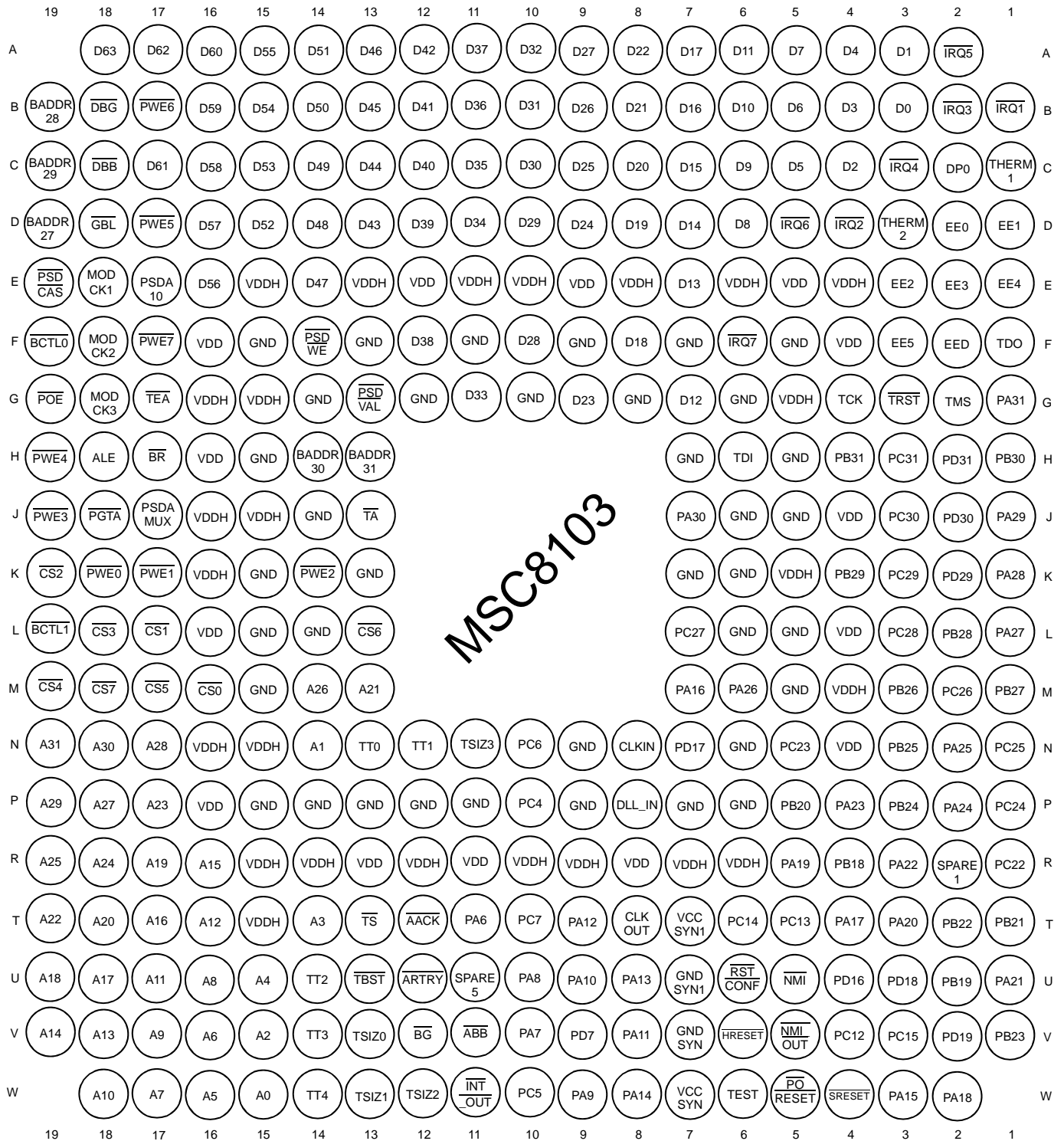
Top View



Note: Signal names in this figure are the default signals after reset, except for signals C2, C19, D1, D2, D18, E1, F3, H13, H14, and W11 which show the second configuration signal name.

Figure 3-1. MSC8103 Flip Chip Plastic Ball Grid Array (FC-PBGA), Top View

Bottom View



Note: Signal names in this figure are the default signals after reset, except for signals C2, C19, D1, D2, D18, E1, F3, H13, H14, and W11 which show the second configuration signal name.

Figure 3-2. MSC8103 Flip Chip Plastic Ball Grid Array (FC-PBGA), Bottom Vie

**Table 3-1. MSC8103 Signal Listing By Name**

Signal Name	Number
A0	W15
A1	N14
A2	V15
A3	T14
A4	U15
A5	W16
A6	V16
A7	W17
A8	U16
A9	V17
A10	W18
A11	U17
A12	T16
A13	V18
A14	V19
A15	R16
A16	T17
A17	U18
A18	U19
A19	R17
A20	T18
A21	M13
A22	T19
A23	P17
A24	R18
A25	R19
A26	M14
A27	P18
A28	N17
A29	P19
A30	N18
A31	N19
$\overline{\text{AACK}}$	T12
$\overline{\text{ABB}}$	V11

**Table 3-1.** MSC8103 Signal Listing By Name (Continued)

Signal Name	Number
ALE	H18
$\overline{\text{ARTRY}}$	U12
BADDR27	D19
BADDR28	B19
BADDR29	C19
BADDR30	H14
BADDR31	H13
$\overline{\text{BCTL0}}$	F19
$\overline{\text{BCTL1}}$	L19
BG	V12
BNKSEL0	E18
BNKSEL1	F18
BNKSEL2	G18
$\overline{\text{BR}}$	H17
BRG10	H3
BRG10	V2
BRG20	J3
BRG20	N7
BRG30	K3
BRG40	L3
BRG50	L7
BRG60	M2
BRG70	N1
BRG80	P1
BTM0	E1
BTM1	F3
$\overline{\text{CD}}$ for FCC1	N10
$\overline{\text{CD}}$ for FCC2	P10
$\overline{\text{CD}}$ /RENA for SCC1	T6
$\overline{\text{CD}}$ /RENA for SCC2	V4
CLK1	H3
CLK2	J3
CLK3	K3
CLK4	L3

**Table 3-1.** MSC8103 Signal Listing By Name (Continued)

Signal Name	Number
CLK5	L7
CLK6	M2
CLK7	N1
CLK8	P1
CLK9	N5
CLK10	R1
CLKIN	N8
CLKOUT	T8
COL for FCC1	G1
COL for FCC2	M1
CRS for FCC1	J7
CRS for FCC2	M3
$\overline{CS0}$	M16
$\overline{CS1}$	L17
$\overline{CS2}$	K19
$\overline{CS3}$	L18
$\overline{CS4}$	M19
$\overline{CS5}$	M17
$\overline{CS6}$	L13
$\overline{CS7}$	M18
$\overline{CTS}$ for FCC1	T10
$\overline{CTS}$ for FCC2	W10
$\overline{CTS/CLSN}$ for SCC1	K3
$\overline{CTS/CLSN}$ for SCC1	V3
$\overline{CTS/CLSN}$ for SCC2	L3
$\overline{CTS/CLSN}$ for SCC2	T5
D0	B3
D1	A3
D2	C4
D3	B4
D4	A4
D5	C5
D6	B5
D7	A5



**Table 3-1.** MSC8103 Signal Listing By Name (Continued)

Signal Name	Number
D8	D6
D9	C6
D10	B6
D11	A6
D12	G7
D13	E7
D14	D7
D15	C7
D16	B7
D17	A7
D18	F8
D19	D8
D20	C8
D21	B8
D22	A8
D23	G9
D24	D9
D25	C9
D26	B9
D27	A9
D28	F10
D29	D10
D30	C10
D31	B10
D32	A10
D33	G11
D34	D11
D35	C11
D36	B11
D37	A11
D38	F12
D39	D12
D40	C12
D41	B12

**Table 3-1. MSC8103 Signal Listing By Name (Continued)**

Signal Name	Number
D42	A12
D43	D13
D44	C13
D45	B13
D46	A13
D47	E14
D48	D14
D49	C14
D50	B14
D51	A14
D52	D15
D53	C15
D54	B15
D55	A15
D56	E16
D57	D16
D58	C16
D59	B16
D60	A16
D61	C17
D62	A17
D63	A18
$\overline{\text{DACK1}}$	N5
$\overline{\text{DACK2}}$	N1
$\overline{\text{DACK3}}$	D5
$\overline{\text{DACK4}}$	F6
$\overline{\text{DBB}}$	C18
$\overline{\text{DBG}}$	B18
DBREQ	D2
DLLIN	P8
DP0	C2
DP1	B1
DP2	D4
DP3	B2

**Table 3-1.** MSC8103 Signal Listing By Name (Continued)

Signal Name	Number
DP4	C3
DP5	A2
DP6	D5
DP7	F6
$\overline{\text{DRACK1/DONE1}}$	H2
$\overline{\text{DRACK2/DONE2}}$	J2
DREQ1	R1
DREQ2	P1
DREQ3	C3
DREQ4	A2
EE0	D2
EE1	D1
EE2	E3
EE3	E2
EE4	E1
EE5	F3
EED	F2
$\overline{\text{EXT\_BG2}}$	B1
$\overline{\text{EXT\_BG3}}$	C3
$\overline{\text{EXT\_BR2}}$	C2
$\overline{\text{EXT\_BR3}}$	B2
$\overline{\text{EXT\_DBG2}}$	D4
$\overline{\text{EXT\_DBG3}}$	A2
EXT1	H3
EXT2	N5
$\overline{\text{GBL}}$	D18
GND	F11
GND	F13
GND	F15
GND	F5
GND	F7
GND	F9
GND	G10
GND	G12

**Table 3-1. MSC8103 Signal Listing By Name (Continued)**

Signal Name	Number
GND	G14
GND	G6
GND	G8
GND	H15
GND	H5
GND	H7
GND	J14
GND	J5
GND	J6
GND	K13
GND	K15
GND	K6
GND	K7
GND	L14
GND	L15
GND	L5
GND	L6
GND	M15
GND	M5
GND	N6
GND	N9
GND	P11
GND	P12
GND	P13
GND	P14
GND	P15
GND	P6
GND	P7
GND	P9
GND <sub>SYN</sub>	V7
GND <sub>SYN1</sub>	U7
H8BIT	B16
HA0	D14
HA1	C14

**Table 3-1.** MSC8103 Signal Listing By Name (Continued)

Signal Name	Number
HA2	B14
HA3	A14
$\overline{\text{HACK}}/\text{HACK}$	E16
$\overline{\text{HCS1}}/\text{HCS1}$	D15
$\overline{\text{HCS2}}/\text{HCS2}$	A16
HD0	A10
HD1	G11
HD2	D11
HD3	C11
HD4	B11
HD5	A11
HD6	F12
HD7	D12
HD8	C12
HD9	B12
HD10	A12
HD11	D13
HD12	C13
HD13	B13
HD14	A13
HD15	E14
HDDS	C16
$\overline{\text{HDS}}/\text{HDS}$	B15
HDSP	D16
HPE	D1
$\overline{\text{HRD}}/\text{HRD}$	C15
$\overline{\text{HREQ}}/\text{HREQ}$	A15
HRESET	V6
$\overline{\text{HRRQ}}/\text{HRRQ}$	E16
HRW	C15
$\overline{\text{HTRQ}}/\text{HTRQ}$	A15
$\overline{\text{HWR}}/\text{HWR}$	B15
$\overline{\text{INT\_OUT}}$	W11
$\overline{\text{IRQ1}}$	B1

**Table 3-1. MSC8103 Signal Listing By Name (Continued)**

Signal Name	Number
$\overline{\text{IRQ1}}$	D18
$\overline{\text{IRQ2}}$	C19
$\overline{\text{IRQ2}}$	D4
$\overline{\text{IRQ2}}$	V11
$\overline{\text{IRQ3}}$	B2
$\overline{\text{IRQ3}}$	C18
$\overline{\text{IRQ3}}$	H14
$\overline{\text{IRQ4}}$	C3
$\overline{\text{IRQ5}}$	A2
$\overline{\text{IRQ5}}$	H13
$\overline{\text{IRQ6}}$	D5
$\overline{\text{IRQ7}}$	F6
$\overline{\text{IRQ7}}$	W11
L1RSYNC for SI1 TDMA1	T11
L1RSYNC for SI2 TDMB2	K4
L1RSYNC for SI2 TDMC2	P3
L1RSYNC for SI2 TDMD2	P5
L1RXD for SI1 TDMA1 Serial	U10
L1RXD for SI2 TDMB2	H1
L1RXD for SI2 TDMC2	M3
L1RXD for SI2 TDMD2	T2
L1RXD0 for SI1 TDMA1 Nibble	U10
L1RXD1 for SI1 TDMA1 Nibble	T2
L1RXD2 for SI1 TDMA1 Nibble	V1
L1RXD3 for SI1 TDMA1 Nibble	P3
L1TSYNC for SI1 TDMA1	V10
L1TSYNC for SI2 TDMB2	L2
L1TSYNC for SI2 TDMC2	N3
L1TSYNC for SI2 TDMD2	T1
L1TXD for SI1 TDMA1 Serial	W9
L1TXD for SI2 TDMB2	H4
L1TXD for SI2 TDMC2	M1
L1TXD for SI2 TDMD2	V1
L1TXD0 for SI1 TDMA1 Nibble	W9

**Table 3-1. MSC8103 Signal Listing By Name (Continued)**

Signal Name	Number
L1TXD1 for SI1 TDMA1 Nibble	P5
L1TXD2 for SI1 TDMA1 Nibble	T1
L1TXD3 for SI1 TDMA1 Nibble	N3
LIST1 for SI1	R1
LIST1 for SI2	T10
LIST2 for SI1	T6
LIST2 for SI2	N10
LIST3 for SI1	V4
LIST3 for SI2	W10
LIST4 for SI1	T5
LIST4 for SI2	P10
MODCK1	E18
MODCK2	F18
MODCK3	G18
MSNUM0	N2
MSNUM1	P2
MSNUM2	U8
MSNUM3	T9
MSNUM4	V8
MSNUM5	U9
$\overline{\text{NMI}}$	U5
$\overline{\text{NMI\_OUT}}$	V5
PA6	T11
PA7	V10
PA8	U10
PA9	W9
PA10	U9
PA11	V8
PA12	T9
PA13	U8
PA14	W8
PA15	W3
PA16	M7
PA17	T4

**Table 3-1. MSC8103 Signal Listing By Name (Continued)**

Signal Name	Number
PA18	W2
PA19	R5
PA20	T3
PA21	U1
PA22	R3
PA23	P4
PA24	P2
PA25	N2
PA26	M6
PA27	L1
PA28	K1
PA29	J1
PA30	J7
PA31	G1
PB18	R4
PB19	U2
PB20	P5
PB21	T1
PB22	T2
PB23	V1
PB24	P3
PB25	N3
PB26	M3
PB27	M1
PB28	L2
PB29	K4
PB30	H1
PB31	H4
$\overline{\text{PBS0}}$	K18
$\overline{\text{PBS1}}$	K17
$\overline{\text{PBS2}}$	K14
$\overline{\text{PBS3}}$	J19
$\overline{\text{PBS4}}$	H19
$\overline{\text{PBS5}}$	D17



**Table 3-1.** MSC8103 Signal Listing By Name (Continued)

Signal Name	Number
$\overline{\text{PBS6}}$	B17
$\overline{\text{PBS7}}$	F17
PC4	P10
PC5	W10
PC6	N10
PC7	T10
PC12	V4
PC13	T5
PC14	T6
PC15	V3
PC22	R1
PC23	N5
PC24	P1
PC25	N1
PC26	M2
PC27	L7
PC28	L3
PC29	K3
PC30	J3
PC31	H3
PD7	V9
PD16	U4
PD17	N7
PD18	U3
PD19	V2
PD29	K2
PD30	J2
PD31	H2
PGPL0	E17
PGPL1	F14
PGPL2	G19
PGPL3	E19
PGPL4	J18
PGPL5	J17

**Table 3-1.** MSC8103 Signal Listing By Name (Continued)

Signal Name	Number
$\overline{\text{PGTA}}$	J18
$\overline{\text{POE}}$	G19
$\overline{\text{PORESET}}$	W5
$\overline{\text{PPBS}}$	J18
PSDA10	E17
PSDAMUX	J17
$\overline{\text{PSCAS}}$	E19
$\overline{\text{PSDDQM0}}$	K18
$\overline{\text{PSDDQM1}}$	K17
$\overline{\text{PSDDQM2}}$	K14
$\overline{\text{PSDDQM3}}$	J19
$\overline{\text{PSDDQM4}}$	H19
$\overline{\text{PSDDQM5}}$	D17
$\overline{\text{PSDDQM6}}$	B17
$\overline{\text{PSDDQM7}}$	F17
$\overline{\text{PSDRAS}}$	G19
$\overline{\text{PSDVAL}}$	G13
PSDWE	F14
PUPMWAIT	J18
$\overline{\text{PWE0}}$	K18
$\overline{\text{PWE1}}$	K17
$\overline{\text{PWE2}}$	K14
$\overline{\text{PWE3}}$	J19
$\overline{\text{PWE4}}$	H19
$\overline{\text{PWE5}}$	D17
$\overline{\text{PWE6}}$	B17
$\overline{\text{PWE7}}$	F17
Reserved	A17
Reserved	A18
Reserved	C2
Reserved	C17
Reserved	C19
Reserved	H14
Reserved	H13

**Table 3-1. MSC8103 Signal Listing By Name (Continued)**

Signal Name	Number
RSTCONF	U6
$\overline{\text{RTS}}$ for FCC1	J7
$\overline{\text{RTS}}$ for FCC2	L2
$\overline{\text{RTS/TENA}}$ for SCC1	K2
$\overline{\text{RTS/TENA}}$ for SCC2	L2
RX_DV for FCC1	L1
RX_DV for FCC2	H1
RX_ER for FCC1	M6
RX_ER for FCC2	L2
RXADDR0 for FCC1 UTOPIA 8	T6
RXADDR1 for FCC1 UTOPIA 8	V4
RXADDR2 for FCC1 UTOPIA 8	N10
RXADDR2/RXCLAV1 for FCC1 UTOPIA 8	N10
RXADDR3 for FCC1 UTOPIA 8	K2
RXADDR4 for FCC1 UTOPIA 8	U3
RXCLAV for FCC1 UTOPIA 8	M6
RXCLAV0 for FCC1 UTOPIA 8	M6
RXCLAV2 for FCC1 UTOPIA 8	K2
RXCLAV3 for FCC1 UTOPIA 8	V4
RXD for FCC1 transparent/HDLC serial	T4
RXD for FCC2 transparent/HDLC serial	T1
RXD for SCC1	H2
RXD for SCC2	H4
RXD0 for FCC1 MII/HDLC nibble	T4
RXD0 for FCC1 UTOPIA 8	U9
RXD0 for FCC2 MII/HDLC nibble	T1
RXD1 for FCC1 MII/HDLC nibble	M7
RXD1 for FCC1 UTOPIA 8	V8
RXD1 for FCC2 MII/HDLC nibble	P5
RXD2 for FCC1 MII/HDLC nibble	W3
RXD2 for FCC1 UTOPIA 8	T9
RXD2 for FCC2 MII/HDLC nibble	U2
RXD3 for FCC1 MII/HDLC nibble	W8
RXD3 for FCC1 UTOPIA 8	U8

**Table 3-1. MSC8103 Signal Listing By Name (Continued)**

Signal Name	Number
RXD3 for FCC2 MII/HDLC nibble	R4
RXD4 for FCC1 UTOPIA 8	W8
RXD5 for FCC1 UTOPIA 8	W3
RXD6 for FCC1 UTOPIA 8	M7
RXD7 for FCC1 UTOPIA 8	T4
$\overline{\text{RXENB}}$ for FCC1	K1
RXPRTY for FCC1 UTOPIA 8	N7
RXSOC for FCC1	L1
SCL	R4
SDA	U2
SMRXD for SMC1	P10
SMRXD for SMC2	U10
$\overline{\text{SMSYN}}$ for SMC1	V9
$\overline{\text{SMSYN}}$ for SMC2	V10
SMTXD for SMC1	W10
SMTXD for SMC2	W9
SMTXD for SMC2	V3
SPARE1	R2
SPARE5	U11
SPICLK	U3
SPIMISO	U4
SPIMOSI	N7
$\overline{\text{SPISEL}}$	V2
$\overline{\text{SRESET}}$	W4
$\overline{\text{TA}}$	J13
$\overline{\text{TBST}}$	U13
TC0	E18
TC1	F18
TC2	G18
TCK	G4
TDI	H6
TDO	F1
$\overline{\text{TEA}}$	G17
TEST	W6

**Table 3-1. MSC8103 Signal Listing By Name (Continued)**

Signal Name	Number
$\overline{\text{TGATE1}}$	H3
$\overline{\text{TGATE2}}$	L7
THERM1	C1
THERM2	D3
$\overline{\text{TIN1/TOUT2}}$	L3
TIN2	K3
$\overline{\text{TIN3/TOUT4}}$	P1
TIN4	N1
TMCLK	M2
TMS	G2
$\overline{\text{TOUT1}}$	J3
$\overline{\text{TOUT3}}$	M2
$\overline{\text{TRST}}$	G3
$\overline{\text{TS}}$	T13
TSIZ0	V13
TSIZ1	W13
TSIZ2	W12
TSIZ3	N11
TT0	N13
TT1	N12
TT2	U14
TT3	V14
TT4	W14
TX_EN for FCC1 MII	K1
TX_EN for FCC2 MII	K4
TX_ER for FCC1 MII	J1
TX_ER for FCC2 MII	H4
TXADDR0 for FCC1 UTOPIA 8	V3
TXADDR1 for FCC1 UTOPIA 8	T5
TXADDR2 for FCC1 UTOPIA 8	T10
TXADDR2 for FCC1 UTOPIA 8	T10
TXADDR3 for FCC1 UTOPIA 8	V9
TXADDR4 for FCC1 UTOPIA 8	V2
TXCLAV for FCC1 UTOPIA 8	J7

**Table 3-1. MSC8103 Signal Listing By Name (Continued)**

Signal Name	Number
TXCLAV0 for FCC1 UTOPIA 8	J7
TXCLAV1 for FCC1 UTOPIA 8	T10
TXCLAV2 for FCC1 UTOPIA 8	V9
TXCLAV3 for FCC1 UTOPIA 8	V2
TXD for FCC1 transparent/HDLC serial	W2
TXD for FCC2 transparent/HDLC serial	T2
TXD for SCC1	J2
TXD for SCC2	H1
TXD0 for FCC1 MII/HDLC nibble	W2
TXD0 for FCC1 UTOPIA 8	N2
TXD0 for FCC2 MII/HDLC nibble	T2
TXD1 for FCC1 MII/HDLC nibble	R5
TXD1 for FCC1 UTOPIA 8	P2
TXD1 for FCC2 MII/HDLC nibble	V1
TXD2 for FCC1 MII/HDLC nibble	T3
TXD2 for FCC1 UTOPIA 8	P4
TXD2 for FCC2 MII/HDLC nibble	P3
TXD3 for FCC1 MII/HDLC nibble	U1
TXD3 for FCC1 UTOPIA 8	R3
TXD3 for FCC2 MII/HDLC nibble	N3
TXD4 for FCC1 UTOPIA 8	U1
TXD5 for FCC1 UTOPIA 8	T3
TXD6 for FCC1 UTOPIA 8	R5
TXD7 for FCC1 UTOPIA 8	W2
$\overline{\text{TXENB}}$ for FCC1	G1
TXPRTY for FCC1 UTOPIA 8	U4
TXSOC for FCC1	J1
$V_{\text{CCSYN}}$	W7
$V_{\text{CCSYN1}}$	T7
$V_{\text{DD}}$	E12
$V_{\text{DD}}$	E5
$V_{\text{DD}}$	E9
$V_{\text{DD}}$	F16
$V_{\text{DD}}$	F4

**Table 3-1.** MSC8103 Signal Listing By Name (Continued)

Signal Name	Number
$V_{DD}$	H16
$V_{DD}$	J4
$V_{DD}$	L16
$V_{DD}$	L4
$V_{DD}$	N4
$V_{DD}$	P16
$V_{DD}$	R11
$V_{DD}$	R13
$V_{DD}$	R8
$V_{DDH}$	E10
$V_{DDH}$	E11
$V_{DDH}$	E13
$V_{DDH}$	E15
$V_{DDH}$	E4
$V_{DDH}$	E6
$V_{DDH}$	E8
$V_{DDH}$	G15
$V_{DDH}$	G16
$V_{DDH}$	G5
$V_{DDH}$	J15
$V_{DDH}$	J16
$V_{DDH}$	K16
$V_{DDH}$	K5
$V_{DDH}$	M4
$V_{DDH}$	N15
$V_{DDH}$	N16
$V_{DDH}$	R10
$V_{DDH}$	R12
$V_{DDH}$	R14
$V_{DDH}$	R15
$V_{DDH}$	R6
$V_{DDH}$	R7
$V_{DDH}$	R9
$V_{DDH}$	T15

**Table 3-2. MSC8103 Signal Listing by Pin Designator**

Number	Signal Name
A2	$\overline{\text{IRQ5}} / \text{DP5} / \text{DREQ4} / \text{EXT\_DBG3}$
A3	D1
A4	D4
A5	D7
A6	D11
A7	D17
A8	D22
A9	D27
A10	D32 / HD0
A11	D37 / HD5
A12	D42 / HD10
A13	D46 / HD14
A14	D51 / HA3
A15	D55 / $\overline{\text{HREQ}} / \overline{\text{HTRQ}}$
A16	D60 / $\overline{\text{HCS2}}$
A17	D62 / Reserved
A18	D63 / Reserved
B1	$\overline{\text{IRQ1}} / \text{DP1} / \overline{\text{EXT\_BG2}}$
B2	$\overline{\text{IRQ3}} / \text{DP3} / \overline{\text{EXT\_BR3}}$
B3	D0
B4	D3
B5	D6
B6	D10
B7	D16
B8	D21
B9	D26
B10	D31
B11	D36 / HD4
B12	D41 / HD9
B13	D45 / HD13
B14	D50 / HA2
B15	D54 / $\overline{\text{HDS}} / \overline{\text{HWR}}$
B16	D59 / H8BIT
B17	$\overline{\text{PWE6}} / \overline{\text{PSDDQM6}} / \overline{\text{PBS6}}$
B18	$\overline{\text{DBG}}$
B19	BADDR28
C1	THERM1
C2	Reserved / $\text{DP0} / \overline{\text{EXT\_BR2}}$
C3	$\overline{\text{IRQ4}} / \text{DP4} / \overline{\text{DREQ3}} / \overline{\text{EXT\_BG3}}$



**Table 3-2. MSC8103 Signal Listing by Pin Designator (Continued)**

Number	Signal Name
C4	D2
C5	D5
C6	D9
C7	D15
C8	D20
C9	D25
C10	D30
C11	D35 / HD3
C12	D40 / HD8
C13	D44 / HD12
C14	D49 / HA1
C15	D53 / HRW / $\overline{\text{HRD}}$
C16	D58 / HDDS
C17	D61
C18	$\overline{\text{DBB}}$ / $\overline{\text{IRQ3}}$
C19	BADDR29 / $\overline{\text{IRQ2}}$
D1	HPE / EE1
D2	DBREQ / EE0
D3	THERM2
D4	$\overline{\text{IRQ2}}$ / DP2 / $\overline{\text{EXT\_DBG2}}$
D5	$\overline{\text{IRQ6}}$ / DP6 / $\overline{\text{DACK3}}$
D6	D8
D7	D14
D8	D19
D9	D24
D10	D29
D11	D34 / HD2
D12	D39 / HD7
D13	D43 / HD11
D14	D48 / HA0
D15	D52 / $\overline{\text{HCS1}}$
D16	D57 / HDSP
D17	$\overline{\text{PWE5}}$ / $\overline{\text{PSDDQM5}}$ / $\overline{\text{PBS5}}$
D18	$\overline{\text{IRQ1}}$ / $\overline{\text{GBL}}$
D19	BADDR27
E1	BTM0 / EE4
E2	EE3
E3	EE2
E4	V <sub>DDH</sub>

**Table 3-2. MSC8103 Signal Listing by Pin Designator (Continued)**

Number	Signal Name
E5	V <sub>DD</sub>
E6	V <sub>DDH</sub>
E7	D13
E8	V <sub>DDH</sub>
E9	V <sub>DD</sub>
E10	V <sub>DDH</sub>
E11	V <sub>DDH</sub>
E12	V <sub>DD</sub>
E13	V <sub>DDH</sub>
E14	D47 / HD15
E15	V <sub>DDH</sub>
E16	D56 / $\overline{\text{HACK}}$ / $\overline{\text{HRRQ}}$
E17	PSDA10 / PGPL0
E18	MODCK1 / TC0 / BNKSEL0
E19	$\overline{\text{PSDCAS}}$ / PGPL3
F1	TDO
F2	EED
F3	BTM1 / EE5
F4	V <sub>DD</sub>
F5	GND
F6	$\overline{\text{IRQ7}}$ / DP7 / $\overline{\text{DACK4}}$
F7	GND
F8	D18
F9	GND
F10	D28
F11	GND
F12	D38 / HD6
F13	GND
F14	$\overline{\text{PSDWE}}$ / PGPL1
F15	GND
F16	V <sub>DD</sub>
F17	$\overline{\text{PWE7}}$ / $\overline{\text{PSDDQM7}}$ / $\overline{\text{PBS7}}$
F18	MODCK2 / TC1 / BNKSEL1
F19	$\overline{\text{BCTL0}}$
G1	PA31 / FCC1:UTOPIA8: $\overline{\text{TXENB}}$ / FCC1:MII:COL
G2	TMS
G3	$\overline{\text{TRST}}$
G4	TCK
G5	V <sub>DDH</sub>

**Table 3-2.** MSC8103 Signal Listing by Pin Designator (Continued)

Number	Signal Name
G6	GND
G7	D12
G8	GND
G9	D23
G10	GND
G11	D33 / HD1
G12	GND
G13	$\overline{\text{PSDVAL}}$
G14	GND
G15	$V_{\text{DDH}}$
G16	$V_{\text{DDH}}$
G17	$\overline{\text{TEA}}$
G18	MODCK3 / TC2 / BNKSEL2
G19	$\overline{\text{POE}}$ / $\overline{\text{PSDRAS}}$ / PGPL2
H1	PB30 / FCC2:MII:RX_DV / SCC2:TXD / TDBM2:L1RXD
H2	PD31 / SCC1:RXD / $\overline{\text{DRACK1}}$ / $\overline{\text{DONE1}}$
H3	PC31 / BRG10 / CLK1 / $\overline{\text{TGATE1}}$
H4	PB31 / FCC2:MII:TX_ER / SCC2:RXD / TDMB2:L1TXD
H5	GND
H6	TDI
H7	GND
H13	Reserved / BADDR31 / $\overline{\text{IRQ5}}$
H14	Reserved / BADDR30 / $\overline{\text{IRQ3}}$
H15	GND
H16	$V_{\text{DD}}$
H17	$\overline{\text{BR}}$
H18	ALE
H19	$\overline{\text{PWE4}}$ / $\overline{\text{PSDDQM4}}$ / $\overline{\text{PBS4}}$
J1	PA29 / FCC1:UTOPIA8:TXSOC / FCC1:MII:TX_ER
J2	PD30 / SCC1:TXD / DMA: $\overline{\text{DRACK2}}$ / $\overline{\text{DONE2}}$
J3	PC30 / EXT1 / BRG20 / CLK2 / $\overline{\text{TOUT1}}$
J4	$V_{\text{DD}}$
J5	GND
J6	GND
J7	PA30 / FCC1:UTOPIA8:TXCLAV / FCC1:UTOPIA8:TXCLAV0 / FCC1:MII:CRS / FCC1:HDLC and transparent:RTS
J13	$\overline{\text{TA}}$
J14	GND
J15	$V_{\text{DDH}}$

**Table 3-2. MSC8103 Signal Listing by Pin Designator (Continued)**

Number	Signal Name
J16	$V_{DDH}$
J17	PSDAMUX / PGPL5
J18	$\overline{PGTA}$ / PUPMWAIT / $\overline{PPBS}$ / PGPL4
J19	$\overline{PWE3}$ / $\overline{PSDDQM3}$ / $\overline{PBS3}$
K1	PA28 / FCC1:UTOPIA8:RXENB / FCC1:MII:TX_EN
K2	PD29 / FCC1:UTOPIA8:RXADDR3 / FCC1:UTOPIA8:RXCLAV2 / SCC1:RTS/TENA
K3	PC29 / SCC1: $\overline{CTS}$ / SCC1:CLSN / BRG30 / CLK3 / TIN2
K4	PB29 / FCC2:MII:TX_EN / TDMB2:L1RSYNC
K5	$V_{DDH}$
K6	GND
K7	GND
K13	GND
K14	$\overline{PWE2}$ / $\overline{PSDDQM2}$ / $\overline{PBS2}$
K15	GND
K16	$V_{DDH}$
K17	$\overline{PWE1}$ / $\overline{PSDDQM1}$ / $\overline{PBS1}$
K18	$\overline{PWE0}$ / $\overline{PSDDQM0}$ / $\overline{PBS0}$
K19	$\overline{CS2}$
L1	PA27 / FCC1:UTOPIA8:RXSOC / FCC1:MII:RX_DV
L2	PB28 / FCC2:RX_ER / FCC2:HDLC:RTS / SCC2:RTS/TENA / TDMB2:L1TSYNC
L3	PC28 / SCC2: $\overline{CTS}$ /CLSN / BRG40 / CLK4 / TIN1/ $\overline{TOUT2}$
L4	$V_{DD}$
L5	GND
L6	GND
L7	PC27 / CLK5 / BRG50 / $\overline{TGATE2}$
L13	$\overline{CS6}$
L14	GND
L15	GND
L16	$V_{DD}$
L17	$\overline{CS1}$
L18	$\overline{CS3}$
L19	$\overline{BCTL1}$
M1	PB27 / FCC2:MII:COL / TDMC2:L1TXD
M2	PC26 / TMCLK / BRG60 / CLK6 / $\overline{TOUT3}$
M3	PB26 / FCC2:MII:CRS / TDMC2:L1RXD
M4	$V_{DDH}$
M5	GND
M6	PA26 / FCC1:UTOPIA8:RXCLAV / FCC1:UTOPIA8:RXCLAV0 / FCC1:MII:RX_ER

**Table 3-2. MSC8103 Signal Listing by Pin Designator (Continued)**

Number	Signal Name
M7	PA16 / FCC1:UTOPIA8:RXD6 / FCC1:MII and HDLC nibble:RXD1
M13	A21
M14	A26
M15	GND
M16	$\overline{CS0}$
M17	$\overline{CS5}$
M18	$\overline{CS7}$
M19	$\overline{CS4}$
N1	PC25 / DMA: $\overline{DACK2}$ / BRG70 / CLK7 / TIN4
N2	PA25 / FCC1:UTOPIA8:TXD0 / SDMA:MSNUM0
N3	PB25 / FCC2:MII and HDLC nibble:TXD3 / TDMA1:nibble:L1TXD3 / TDMC2:L1TSYNC
N4	$V_{DD}$
N5	PC23 / EXT2 / DMA: $\overline{DACK1}$ / CLK9
N6	GND
N7	PD17 / FCC1:UTOPIA8:RXPTY / SPI:SPIMOSI / BRG20
N8	CLKIN
N9	GND
N10	PC6 / FCC1:UTOPIA8:RXADDR2 / FCC1:UTOPIA8:RXADDR/RXCLAV1 / FCC1: $\overline{CD}$ / SI2:LIST2
N11	TSIZ3
N12	TT1
N13	TT0
N14	A1
N15	$V_{DDH}$
N16	$V_{DDH}$
N17	A28
N18	A30
N19	A31
P1	PC24 / DMA:DREQ2 / BRG80 / CLK8 / TIN3/TOUT4
P2	PA24 / FCC1:UTOPIA8:TXD1 / SDMA:MSNUM1
P3	PB24 / FCC2:MII and HDLC nibble:TXD2 / TDMA1:nibble:L1RXD3 / TDMC2:L1RSYNC
P4	PA23 / FCC1:UTOPIA8:TXD2
P5	PB20 / FCC2:MII and HDLC nibble:RXD1 / TDMA1:nibble:L1TXD1 / TDMC2:L1RSYNC
P6	GND
P7	GND
P8	DLLIN
P9	GND

**Table 3-2. MSC8103 Signal Listing by Pin Designator (Continued)**

Number	Signal Name
P10	PC4 / FCC2: $\overline{CD}$ / SMC1:SMRXD / SI2:LIST4
P11	GND
P12	GND
P13	GND
P14	GND
P15	GND
P16	V <sub>DD</sub>
P17	A23
P18	A27
P19	A29
R1	PC22 / SI1:LIST1 / DREQ1 / CLK10
R2	SPARE1
R3	PA22 / FCC1:UTOPIA8:TXD3
R4	PB18 / FCC2:MII and HDLC nibble:RXD3 / I <sup>2</sup> C:SCL
R5	PA19 / FCC1:UTOPIA8:TXD6 / FCC1:MII and HDLC nibble:TXD1
R6	V <sub>DDH</sub>
R7	V <sub>DDH</sub>
R8	V <sub>DD</sub>
R9	V <sub>DDH</sub>
R10	V <sub>DDH</sub>
R11	V <sub>DD</sub>
R12	V <sub>DDH</sub>
R13	V <sub>DD</sub>
R14	V <sub>DDH</sub>
R15	V <sub>DDH</sub>
R16	A15
R17	A19
R18	A24
R19	A25
T1	PB21 / FCC2:MII and HDLC nibble:RXD0 / FCC2:transparent and HDLC serial:RXD /TDMA1:nibble:L1TXD2 / TDMD2:L1TSYNC
T2	PB22 / FCC2:MII and HDLC nibble TXD0 / FCC2:transparent and HDLC serial TXD /TDMA1:nibble L1RXD1 / TDMD2:L1RXD
T3	PA20 / FCC1:UTOPIA8 TXD5 / FCC1:MII and HDLC nibble TXD2
T4	PA17 / FCC1:UTOPIA8 RXD7 / FCC1:MII and HDLC nibble RXD0 / FCC1:transparent and HDLC serial RXD
T5	PC13 / FCC1:UTOPIA8:TXADDR1 / SCC2: $\overline{CTS}$ /CLSN / SI1:LIST4
T6	PC14 / FCC1:UTOPIA8:RXADDR0 / SCC1: $\overline{CD}$ /RENA / SI1:LIST2
T7	V <sub>CCSYN1</sub>

**Table 3-2. MSC8103 Signal Listing by Pin Designator (Continued)**

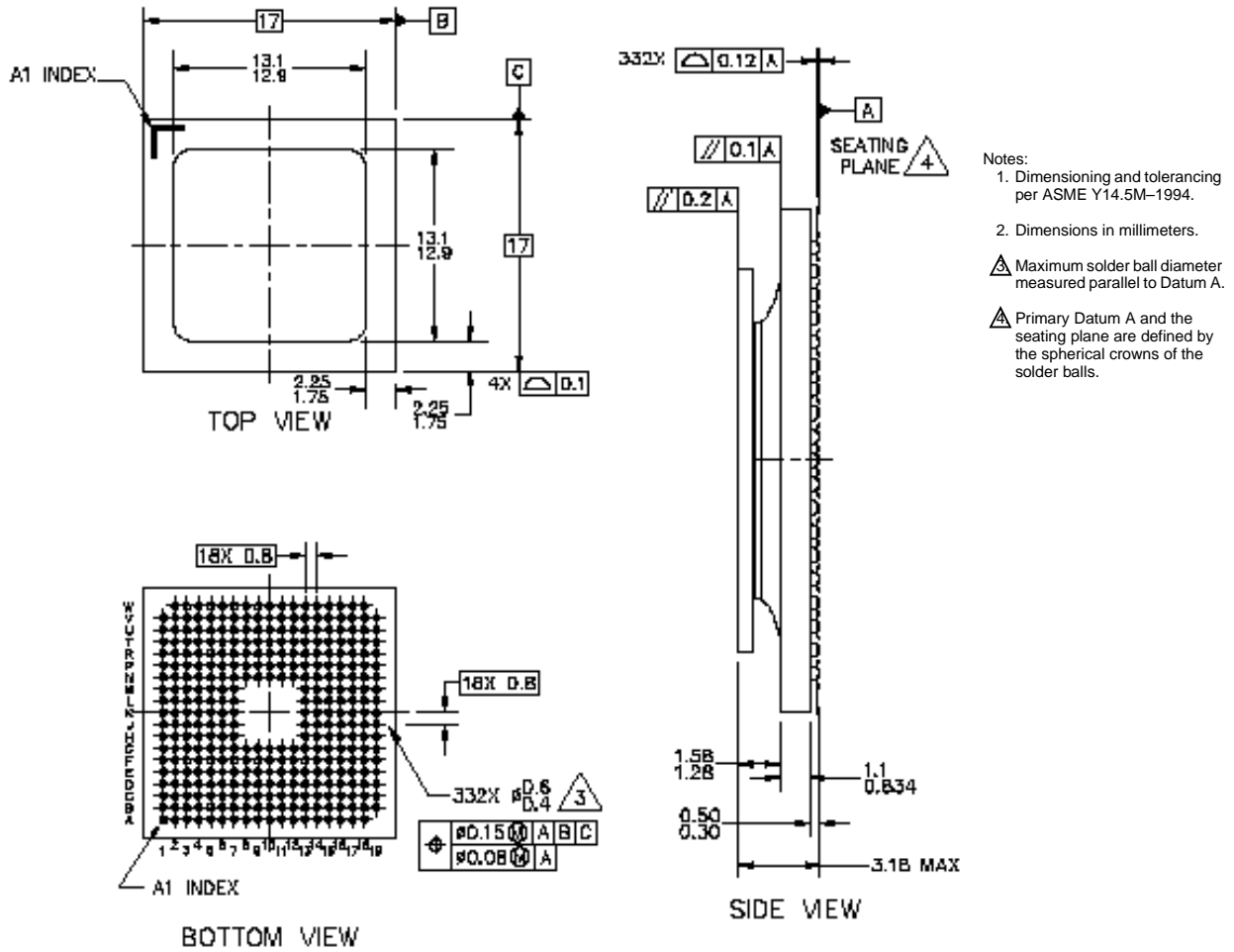
Number	Signal Name
T8	CLKOUT
T9	PA12 / FCC1:UTOPIA8:RXD2 / SDMA:MSNUM3
T10	PC7 / FCC1:UTOPIA8:TXADDR2 / FCC1:UTOPIA8:TXADDR2/TXCLAV1 / FCC1:CTS / SI1:LIST1
T11	PA6 / TDMA1:L1RSYNC
T12	$\overline{\text{AACK}}$
T13	$\overline{\text{TS}}$
T14	A3
T15	$V_{\text{DDH}}$
T16	A12
T17	A16
T18	A20
T19	A22
U1	PA21 / FCC1:TXD4 / FCC1:MII and HDLC nibble TXD3
U2	PB19 / FCC2:MII and HDLC nibble RXD2 / I <sup>2</sup> C:SDA
U3	PD18 / FCC1:UTOPIA8:RXADDR4 / FCC1:UTOPIA8:RXCLAV3 / SPI:SPICLK
U4	PD16 / FCC1:UTOPIA8:TXPRTY / SPI:SPIMISO
U5	$\overline{\text{NMI}}$
U6	$\overline{\text{RSTCONF}}$
U7	$\text{GND}_{\text{SYN1}}$
U8	PA13 / FCC1:UTOPIA8:RXD3 / SDMA:MSNUM2
U9	PA10 / FCC1:UTOPIA8:RXD0 / SDMA:MSNUM5
U10	PA8 / SMC2:SMRXD / TDMA1:serial L1RXD / TDMA1:nibble L1RXD0
U11	SPARE5
U12	$\overline{\text{ARTRY}}$
U13	$\overline{\text{TBST}}$
U14	TT2
U15	A4
U16	A8
U17	A11
U18	A17
U19	A18
V1	PB23 / FCC2:MII and HDLC nibble:TXD1 / TDMA1:nibble:L1RXD2 / TDMD2:L1TXD
V2	PD19 / FCC1:UTOPIA8:TXADDR4 / FCC1:UTOPIA:TXCLAV3 / SPI: $\overline{\text{SPISEL}}$ / BRG10
V3	PC15 / FCC1:UTOPIA8:TXADDR0 / SCC1: $\overline{\text{CTS}}$ /CLSN / SMC2:SMTXD
V4	PC12 / FCC1:UTOPIA8:RXADDR1 / SCC2: $\overline{\text{CD}}$ /RENA / SI1:LIST3
V5	$\overline{\text{NMI\_OUT}}$
V6	$\overline{\text{HRESET}}$

**Table 3-2. MSC8103 Signal Listing by Pin Designator (Continued)**

Number	Signal Name
V7	GND <sub>SYN</sub>
V8	PA11 / FCC1:UTOPIA8:RXD1 / SDMA:MSNUM4
V9	PD7 / FCC1:UTOPIA8:TXADDR3 / FCC1:UTOPIA8:TXCLAV2 / SMC1: $\overline{\text{SMSYN}}$
V10	PA7 / SMC2: $\overline{\text{SMSYN}}$ / TDMA1:L1TSYNC
V11	$\overline{\text{ABB}}$ / $\overline{\text{IRQ2}}$
V12	$\overline{\text{BG}}$
V13	TSIZ0
V14	TT3
V15	A2
V16	A6
V17	A9
V18	A13
V19	A14
W2	PA18 / FCC1:UTOPIA8:TXD7 / FCC1:MII and HDLC nibble:TXD0 / FCC1:transparent and HDLC serial:TXD
W3	PA15 / FCC1:UTOPIA8:RXD5 / FCC1:MII and HDLC nibble:RXD2
W4	$\overline{\text{SRESET}}$
W5	$\overline{\text{PORESET}}$
W6	TEST
W7	V <sub>CCSYN</sub>
W8	PA14 / FCC1:UTOPIA8 RXD4 / FCC1:MII and HDLC nibble:RXD3
W9	PA9 / SMC2:SMTXD / TDMA1:serial:L1TXD / TDMA1:nibble:L1TXD0
W10	PC5 / FCC2: $\overline{\text{CTS}}$ / SMC1:SMTXD / SI2:LIST3
W11	$\overline{\text{IRQ7}}$ / $\overline{\text{INT\_OUT}}$
W12	TSIZ2
W13	TSIZ1
W14	TT4
W15	A0
W16	A5
W17	A7
W18	A10



### 3.2 Lidded FC-PBGA Package Mechanical Drawing



CASE 1473-01

Figure 3-3. Case 1473-01 Mechanical Information, 332-pin Lidded FC-PBGA Package



## Design Considerations

This chapter includes design and layout guidelines for manufacturing boards using the MSC8103.

### 4.1 Thermal Design Considerations

The average chip-junction temperature,  $T_J$ , in °C can be obtained from the following:

$$T_J = T_A + (P_D \cdot \theta_{JA}) \quad \text{Equation 1}$$

where

$T_A$  = ambient temperature °C

$\theta_{JA}$  = package thermal resistance, junction to ambient, °C/W

$P_D = P_{INT} + P_{I/O}$  in W

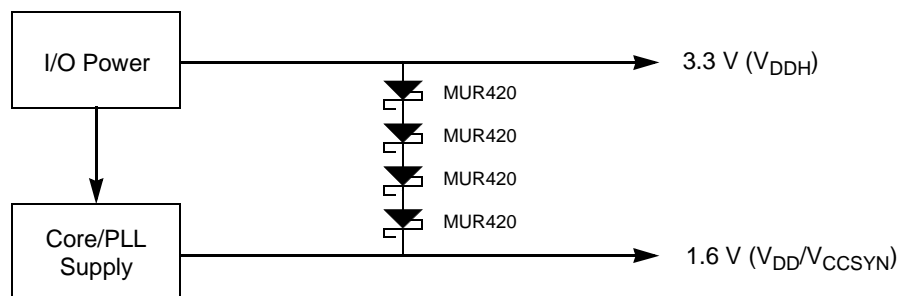
$P_{INT} = I_{DD} \times V_{DD}$  in W—chip internal power

$P_{I/O}$  = power dissipation on output pins in W—user determined

The user should set  $T_A$  and  $P_D$  such that  $T_J$  does not exceed the maximum operating conditions. In case  $T_J$  is too high, the user should either lower the ambient temperature or the power dissipation of the chip.

### 4.2 Electrical Design Considerations

The input voltage must not exceed the I/O supply  $V_{DDH}$  by more than 2.5 V at any time, including during power-on reset. In turn,  $V_{DDH}$  can exceed  $V_{DD}/V_{CCSYN}$  by more than 3.3 V during power-on reset, but for no more than 100 ms.  $V_{DDH}$  should not exceed  $V_{DD}/V_{CCSYN}$  by more than 2.1 V during normal operation.  $V_{DD}/V_{CCSYN}$  must not exceed  $V_{DDH}$  by more than 0.4 V at any time, including during power-on reset. Therefore the recommendation is to use “bootstrap” diodes between the power rails, as shown in **Figure 4-1**.



**Figure 4-1.** Bootstrap Diodes for Power-Up Sequencing

Select the bootstrap diodes such that a nominal  $V_{DD}/V_{CCSYN}$  is sourced from the  $V_{DDH}$  power supply until the  $V_{DD}/V_{CCSYN}$  power supply becomes active. In **Figure 4-1**, four MUR420 Schottky barrier diodes are connected in series; each has a forward voltage ( $V_F$ ) of 0.6 V at high currents, so these diodes provide a 2.4 V drop, maintaining 0.9 V on the 1.6 V power line. Once the core/PLL power supply stabilizes at 1.6 V, the bootstrap diodes will be reverse biased with negligible leakage current. The  $V_F$  should be effective at the current levels required by the processor. Do not use diodes with a nominal  $V_F$  that drops too low at high current.

## 4.3 Power Considerations

The internal power dissipation consists of three components:

$$P_{INT} = P_{CORE} + P_{SIU} + P_{CPM}$$

Power dissipation depends on the operating frequency of the different portions of the chip. **Table 2-5** provides typical power values at the specified operating frequencies. To determine the typical power dissipation for a given set of frequencies, use the following equations:

$$P_{CORE}(f) = ((P_{CORE} - P_{LCO})/f_{CORE}) \times f_{COREA} + P_{LCO}$$

$$P_{CPM}(f) = ((P_{CPM} - P_{LCP})/f_{CPM}) \times f_{CPMA} + P_{LCP}$$

$$P_{SIU}(f) = ((P_{SIU} - P_{LSI})/f_{SIU}) \times f_{SIUA} + P_{LSI}$$

Where:

- $f_{CORE}$  is the core frequency,  $f_{SIU}$  is the SIU frequency, and  $f_{CPM}$  is the CPM frequency specified in **Table 2-5** in MHz
- $f_{COREA}$  is the actual core frequency,  $f_{SIUA}$  is the actual SIU frequency, and  $f_{CPMA}$  is the actual CPM frequency in MHz
- $P_{LCO}$ ,  $P_{LSI}$ , and  $P_{LCP}$  are the leakage power values specified in **Table 2-5**
- All power numbers are in mW
- Power consumption is assumed to be linear with frequency. The first part of each equation computes a mw/MHz value that is then scaled based on the actual frequency used.

To determine a total power dissipation in a specific application, you must add the power values derived from the above set of equations to the value derived for I/O power consumption using the following equation for each output pin:

$$P = C \times V_{DDH}^2 \times f \times 10^{-3} \tag{Equation 2}$$

Where: P = power in mW, C = load capacitance in pF, f = output switching frequency in MHz.

For an application in which external data memory is used in a 32-bit single bus mode and no other outputs are active, the core runs at 200 MHz, the CPM runs at 100 MHz and the SIU runs at 50 MHz, power dissipation is calculated as follows:

*Assumptions:*

- External data memory is accessed every second cycle with 10% of address pins switching.
- External data memory writes occurs once every eight cycles with 50% of data pins switching.
- Each address and data pin has a 30 pF total load at the pin.
- The application operates at  $V_{DDH} = 3.3$  V.

Since the address pins switch once at every second cycle, the address pins frequency is a quarter of the bus frequency (that is, 25 MHz).

For the same reason the data pins frequency is 3.125 MHz.

**Table 4-1.** Power Dissipation

Pins	Number of Pins Switching	$\times C$	$\times V_{DDH}^2$	$\times f \times 10^{-3}$	Power in mW
Address	4	$\times 30$	$\times 3.3^2$	$\times 12.5 \times 10^{-3}$	16.25
Data, HRD, HRW	34	$\times 30$	$\times 3.3^2$	$\times 3.125 \times 10^{-3}$	34.75
CLKOUT	1	$\times 30$	$\times 3.3^2$	$\times 50 \times 10^{-3}$	16
Total P <sub>I/O</sub>					67

Calculating internal power (from **Table 2-5** values):

$$P_{CORE}(200) = ((P_{CORE} - P_{LCO})/300) \times 200 + P_{LCO} = ((450 - 3) / 300) \times 200 + 3 = 301$$

$$P_{CPM}(100) = ((P_{CPM} - P_{LCP}) / 200) \times 100 + P_{LCP} = ((320 - 6) / 200) \times 100 + 6 = 163$$

$$P_{SIU}(50) = ((P_{SIU} - P_{LSI}) / 100) \times 50 + P_{LSI} = ((80 - 2) / 100) \times 50 + 2 = 41$$

$$P_{INT} = P_{CORE}(200) + P_{CPM}(100) + P_{SIU}(50) = 301 + 163 + 41 = 505$$

$$P_D = P_{INT} + P_{I/O} = 505 + 67 = 572$$

Maximum allowed ambient temperature is:

$$T_A = T_J - (PD \times \theta_{JA})$$

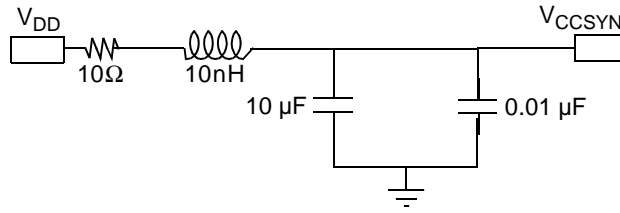
## 4.4 Layout Practices

Each  $V_{CC}$  and  $V_{DD}$  pin on the MSC8103 should be provided with a low-impedance path to the board's power supply. Similarly, each GND pin should be provided with a low-impedance path to ground. The power supply pins drive distinct groups of logic on the chip. The  $V_{CC}$  power supply should be bypassed to ground using at least four 0.1  $\mu$ F by-pass capacitors located as closely as possible to the four sides of the package. The capacitor leads and associated printed circuit traces connecting to chip  $V_{CC}$ ,  $V_{DD}$ , and GND should be kept to less than half an inch per capacitor lead. A four-layer board is recommended, employing two inner layers as  $V_{CC}$  and GND planes.

All output pins on the MSC8103 have fast rise and fall times. Printed circuit board (PCB) trace interconnection length should be minimized in order to minimize undershoot and reflections caused by these fast output switching times. This recommendation particularly applies to the address and data busses. Maximum PCB trace lengths of six inches are recommended. Capacitance calculations should consider all device loads as well as parasitic capacitances due to the PCB traces. Attention to proper PCB layout and bypassing becomes especially critical in systems with higher capacitive loads because these loads create higher transient currents in the  $V_{CC}$ ,  $V_{DD}$ , and GND circuits. Pull up all unused inputs or signals that will be inputs during reset. Special care should be taken to minimize the noise levels on the PLL supply pins.

There are 2 pairs of PLL supply pins:  $V_{CCSYN}$ -GND<sub>SYN</sub> and  $V_{CCSYN1}$ -GND<sub>SYN1</sub>. Each pair supplies one PLL. To ensure internal clock stability, filter the power to the  $V_{CCSYN}$  and  $V_{CCSYN1}$  inputs with a circuit similar to the one in **Figure 4-2**. To filter as much noise as possible, place the circuit as close as possible to  $V_{CCSYN}$  and  $V_{CCSYN1}$ . The 0.01- $\mu$ F capacitor should be closest to  $V_{CCSYN}$  and  $V_{CCSYN1}$ , followed by the 10- $\mu$ F capacitor, the 10-nH inductor, and finally the 10- $\Omega$  resistor to  $V_{DD}$ . These traces should be kept short and direct.

$GND_{SYN}$  and  $GND_{SYN1}$  should be provided with an extremely low impedance path to ground and should be bypassed to  $V_{CCSYN}$  and  $V_{CCSYN1}$ , respectively, by a 0.01- $\mu\text{F}$  capacitor located as close as possible to the chip package. The user should also bypass  $GND_{SYN}$  and  $GND_{SYN1}$  to  $V_{CCSYN}$  and  $V_{CCSYN1}$  with a 0.01- $\mu\text{F}$  capacitor as closely as possible to the chip package



**Figure 4-2.** VCCSYN and VCCSYN1 Bypass



## Ordering Information

For product availability, consult a Freescale Semiconductor sales office or authorized distributor.

Part	Supply Voltage	Package Type	Pin Count	Mask Set	Sphere Type	Core Frequency (MHz)	Order Number
MSC8103	1.6 V core 3.3 V I/O	Lidded Flip Chip Plastic Ball Grid Array (FC-PBGA)	332	2K87M	Pb-bearing	275	MSC8103M1100F
					Pb-free	275	MSC8103VT1100F
					Pb-bearing	300	MSC8103M1200F
					Pb-free	300	MSC8103VT1200F

### How to Reach Us:

#### Home Page:

[www.freescale.com](http://www.freescale.com)

#### Web Support:

<http://www.freescale.com/support>

#### USA/Europe or Locations Not Listed:

Freescale Semiconductor, Inc.  
Technical Information Center, EL516  
2100 East Elliot Road  
Tempe, Arizona 85284  
+1-800-521-6274 or  
+1-480-768-2130  
[www.freescale.com/support](http://www.freescale.com/support)

#### Europe, Middle East, and Africa:

Freescale Halbleiter Deutschland GmbH  
Technical Information Center  
Schatzbogen 7  
81829 Muenchen, Germany  
+44 1296 380 456 (English)  
+46 8 52200080 (English)  
+49 89 92103 559 (German)  
+33 1 69 35 48 48 (French)  
[www.freescale.com/support](http://www.freescale.com/support)

#### Japan:

Freescale Semiconductor Japan Ltd.  
Headquarters  
ARCO Tower 15F  
1-8-1, Shimo-Meguro, Meguro-ku  
Tokyo 153-0064  
Japan  
0120 191014 or  
+81 3 5437 9125  
[support.japan@freescale.com](mailto:support.japan@freescale.com)

#### Asia/Pacific:

Freescale Semiconductor China Ltd.  
Exchange Building 23F  
No. 118 Jianguo Road  
Chaoyang District  
Beijing 100022  
China  
+86 010 5879 8000  
[support.asia@freescale.com](mailto:support.asia@freescale.com)

#### For Literature Requests Only:

Freescale Semiconductor  
Literature Distribution Center  
P.O. Box 5405  
Denver, Colorado 80217  
+1-800 441-2447 or  
+1-303-675-2140  
Fax: +1-303-675-2150  
[LDCForFreescaleSemiconductor@hibbertgroup.com](mailto:LDCForFreescaleSemiconductor@hibbertgroup.com)

MSC8103  
Rev. 12  
8/2005

Information in this document is provided solely to enable system and software implementers to use Freescale Semiconductor products. There are no express or implied copyright licenses granted hereunder to design or fabricate any integrated circuits or integrated circuits based on the information in this document.

Freescale Semiconductor reserves the right to make changes without further notice to any products herein. Freescale Semiconductor makes no warranty, representation or guarantee regarding the suitability of its products for any particular purpose, nor does Freescale Semiconductor assume any liability arising out of the application or use of any product or circuit, and specifically disclaims any and all liability, including without limitation consequential or incidental damages. "Typical" parameters which may be provided in Freescale Semiconductor data sheets and/or specifications can and do vary in different applications and actual performance may vary over time. All operating parameters, including "Typicals" must be validated for each customer application by customer's technical experts. Freescale Semiconductor does not convey any license under its patent rights nor the rights of others. Freescale Semiconductor products are not designed, intended, or authorized for use as components in systems intended for surgical implant into the body, or other applications intended to support or sustain life, or for any other application in which the failure of the Freescale Semiconductor product could create a situation where personal injury or death may occur. Should Buyer purchase or use Freescale Semiconductor products for any such unintended or unauthorized application, Buyer shall indemnify and hold Freescale Semiconductor and its officers, employees, subsidiaries, affiliates, and distributors harmless against all claims, costs, damages, and expenses, and reasonable attorney fees arising out of, directly or indirectly, any claim of personal injury or death associated with such unintended or unauthorized use, even if such claim alleges that Freescale Semiconductor was negligent regarding the design or manufacture of the part.

Freescale™, the Freescale logo, and StarCore are trademarks of Freescale Semiconductor, Inc. All other product or service names are the property of their respective owners.

© Freescale Semiconductor, Inc. 2001, 2008.