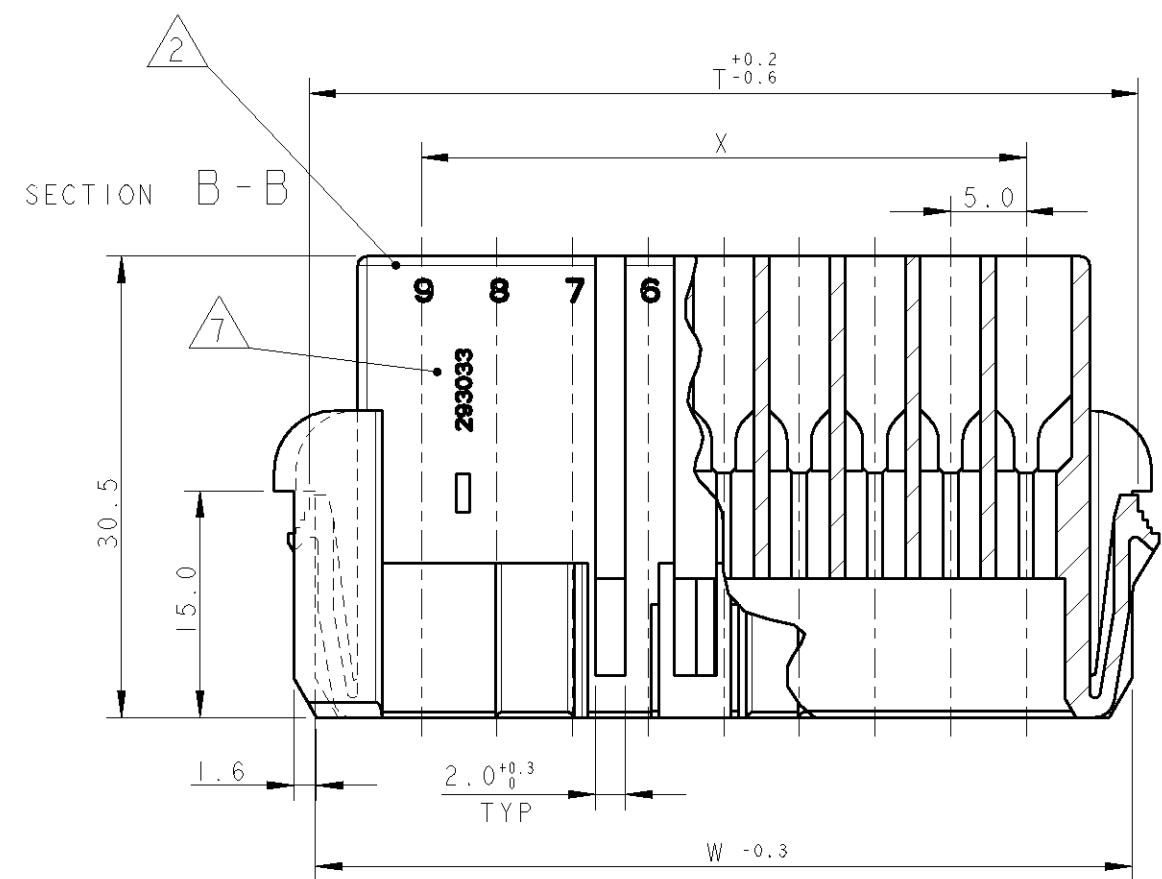
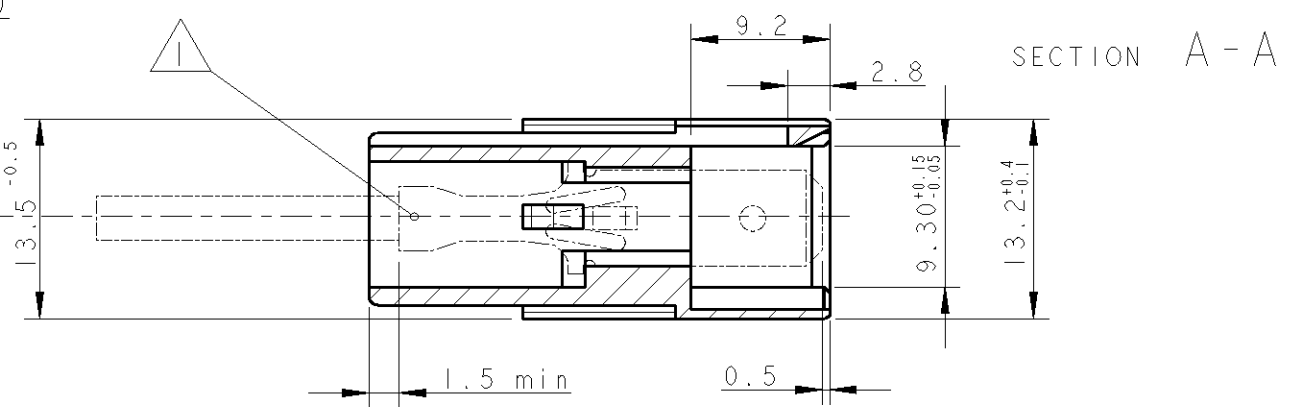
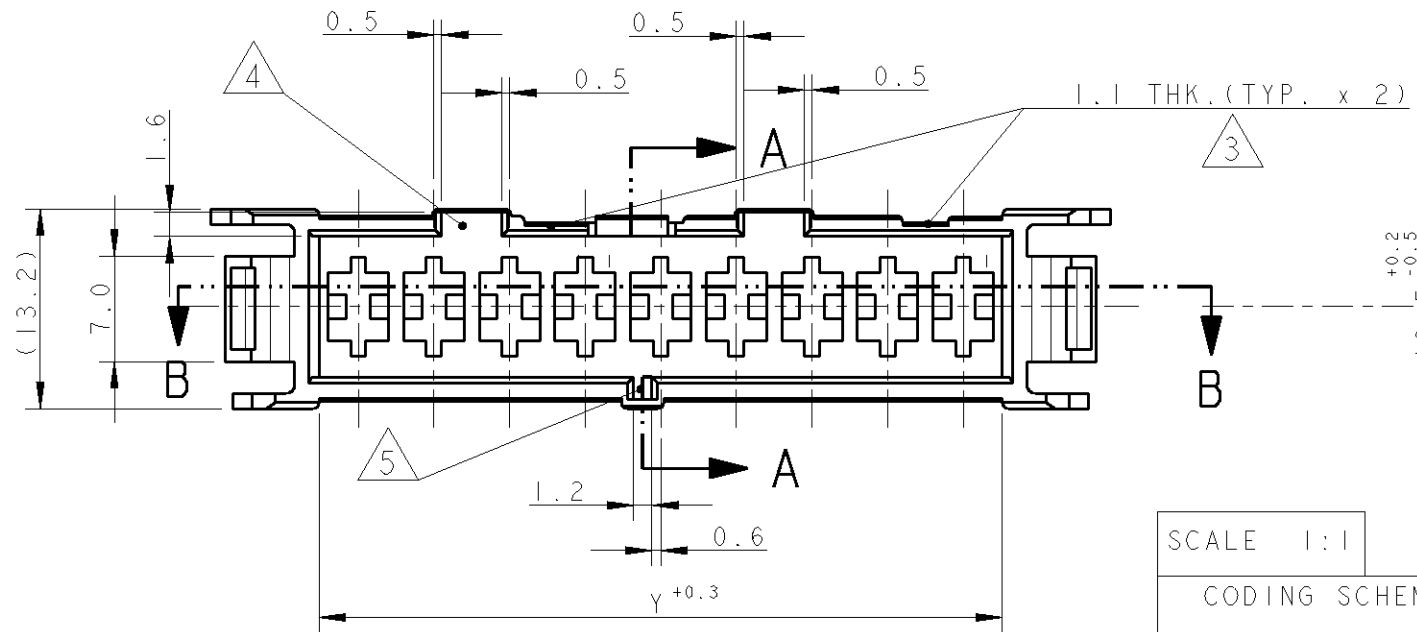


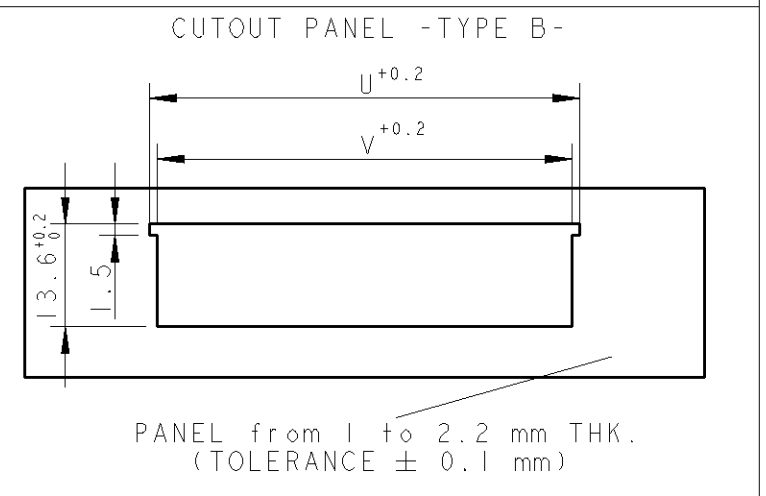
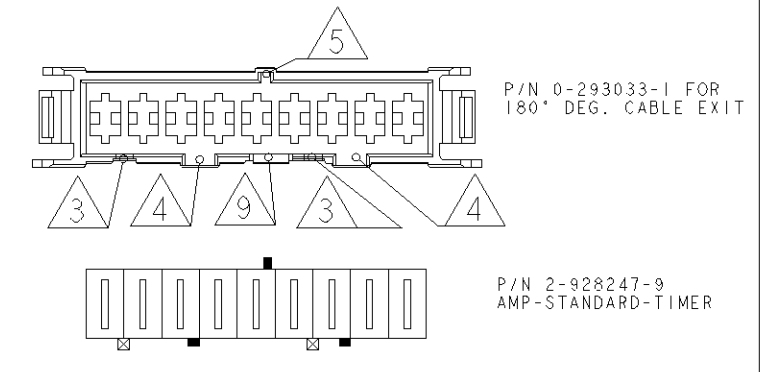
THIS DRAWING IS UNPUBLISHED. RELEASED FOR PUBLICATION 2004  
 © COPYRIGHT 2004 BY TYCO ELECTRONICS CORPORATION. ALL RIGHTS RESERVED.

LOC	DIST	REVISIONS					
		P	LTR	DESCRIPTION	DATE	DWN	APVD
1	-	A		FIRST ISSUE, ET00-0209-04	18OCT2004	C.C	G.T.
		AI		REVISED, ET00-0242-04	02DEC2004	UA	GT
		B		CHANGED LATCHING SHAPE, ECR-08-007298	20MAR2008	HY	GT



SCALE 1:1

CODING SCHEME AND POLARIZATION LAYOUT



- 1 CAVITY FOR FASTIN-FASTON TABS 6.3 x 0.8  
CONTACT N. 60294 SUITABLE FOR AWG 22-18 (0.3-0.8 sqmm)  
CONTACT N. 160691 SUITABLE FOR AWG 22-18 (0.3-0.8 sqmm)  
CONTACT N. 141051 (AMPLIVAR) SUITABLE FOR AWG 27-20 (0.1-0.5 sqmm)  
CONTACT N. 142411 (AMPLIVAR) SUITABLE FOR AWG 22-15 (0.3-1.6 sqmm)  
MAX. INSULATION DIAMETER = 2.8 mm  
MAX. INSULATION CRIMP HEIGHT = 3.6 mm
- 2 CAVITY NR.
- 3 LOCKING HOLE
- 4 CODING GROOVE
- 5 POLARIZATION GROOVE
- 6 0.6 MAX. WARPAGE ADMITTED
- 7 INSCRIPTIONS CHARACTERS 1.2 HIGH, ACCORDING TO DIN 1451 - 0.2 RAISED TE LOGO LOCATED AS SHOWN
- 8 MATERIAL PA6 UNFILLED SUITABLE FOR APPLICATION WHERE GWT 750°C HAS TO BE PERFORMED PER EN60335
- 9 LOCKING LATCH SHIFTED TO THE LEFT BETWEEN CAVITY AS SHOWN

12	70.2	69	69.4	55	60	71.9	-	-	-	-	-	-
11	65.2	64	64.8	50	55	66.9	-	-	-	-	-	-
10	60.2	59	59.8	45	50	61.9	-	-	-	-	-	-
9	55.2	54	54.8	40	45	56.9	293033-1	2-928247-9	NOTE 8	NATURAL	B	-
8	50.2	49	49.8	35	40	51.9	-	-	-	-	-	-
7	45.2	44	44.8	30	35	46.9	-	-	-	-	-	-
6	40.2	39	39.8	25	30	41.9	-	-	-	-	-	-
5	35.2	34	34.8	20	25	36.9	-	-	-	-	-	-
4	30.2	29	29.8	15	20	31.9	-	-	-	-	-	-
3	25.2	24	24.8	10	15	26.9	-	-	-	-	-	-
2	20.2	19	19.8	5	10	21.9	-	-	-	-	-	-
POS.	T	W	V	X	Y	U	P/N	MATED WITH STD. TIMER PART P/N	MATERIAL	COLOUR	REV	

THIS DRAWING IS A CONTROLLED DOCUMENT FOR TYCO ELECTRONICS CORPORATION IT IS SUBJECT TO CHANGE AND THE CONTROLLING ENGINEERING ORGANIZATION SHOULD BE CONTACTED FOR THE LATEST REVISION.

DIMENSIONS:	TOLERANCES UNLESS OTHERWISE SPECIFIED:
mm	0 PLC ±
	1 PLC ±0.2
	2 PLC ±
	3 PLC ±
	4 PLC ±
	ANGLES ±2°
MATERIAL	FINISH
UL94-V2 (TABLE)	-

DWN	17MAY2004
CHK	C. CORDOLA
APVD	17MAY2004
APVD	U. AIME
APVD	G. TURCO
PRODUCT SPEC	-
APPLICATION SPEC	-
WEIGHT	-
CUSTOMER DRAWING	-

**Tyco Electronics** AMP Italia S.p.A. C.so F.lli Cervi 15 Collegno (TO)

NAME: 2-12 POSITION FASTIN-ON HOUSING, PITCH 5 mm

SIZE	CAGE CODE	DRAWING NO	RESTRICTED TO
A3	00779	C=293033	-

SCALE 2:1 SHEET 1 OF 1 REV B