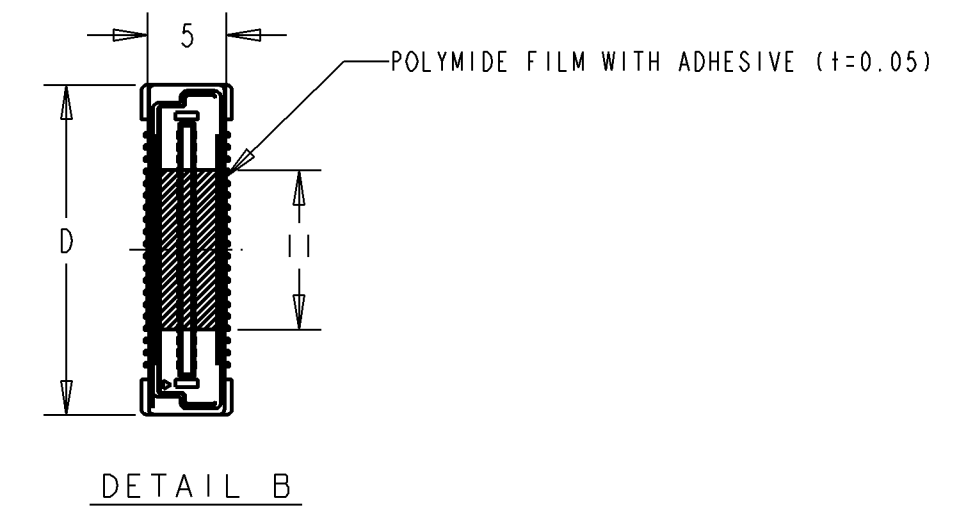
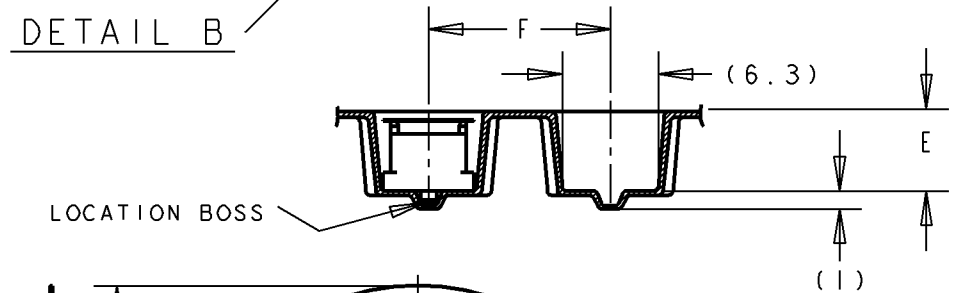
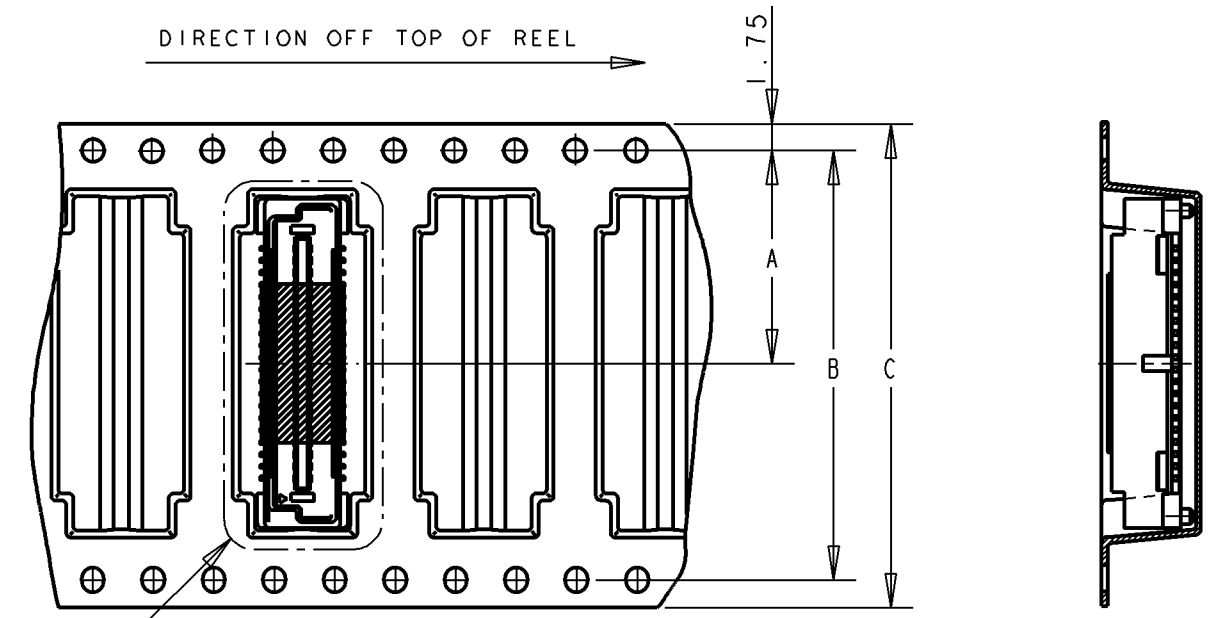


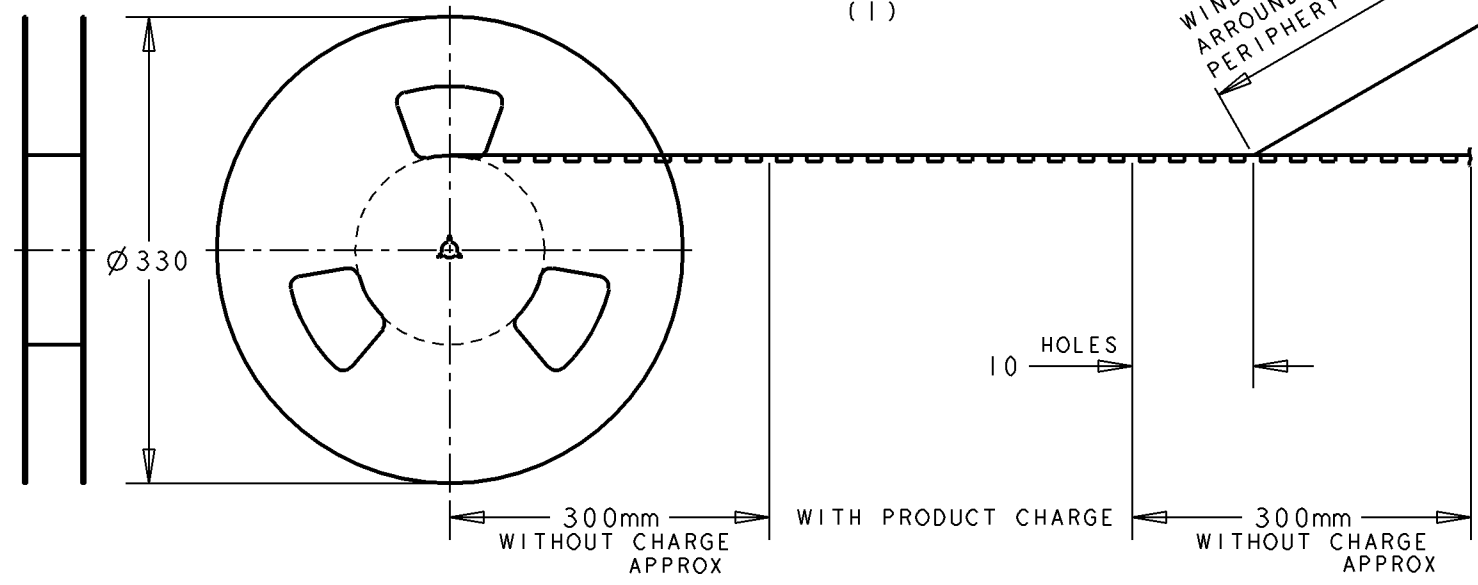
THIS DRAWING IS UNPUBLISHED. RELEASED FOR PUBLICATION .19
 © COPYRIGHT 19 BY AMP INCORPORATED. ALL RIGHTS RESERVED.

LOC	DIST	REVISIONS				
P	LTR	DESCRIPTION	DATE	DWN	APVD	
DY	-	01 REVISED PER ECR-08-025199	07OCT2008	SYJ	LSF	

DIRECTION OFF TOP OF REEL →



WINDING THE COVER TAPE AROUND THE OUTER PERIPHERY IN A TURN.



800	6H	12	6.25	21.8	32	28.4	14.2	40	5179029-1	5084969-1
QTY	HEIGHT TYPE	F	E	D	C	B	A	POS	CONN P/N	PART NO

THIS DRAWING IS A CONTROLLED DOCUMENT FOR AMP INCORPORATED. IT IS SUBJECT TO CHANGE AND THE CONTROLLING ENGINEERING ORGANIZATION SHOULD BE CONTACTED FOR THE LATEST REVISION.		DWN KW YAP 17MAY2005	Tyco Electronics Singapore Pte. Ltd.
DIMENSIONS: mm		CHK WL CHOO 18MAY2005	
TOLERANCES UNLESS OTHERWISE SPECIFIED: 0 PLC ±.3 1 PLC ±0.3 2 PLC ±0.25 3 PLC ±0.2 4 PLC ±. ANGLES ±3°		APVD SE IFONG 18MAY2005	NAME PLUG ASSY (0.5 BOSS LENGTH) WITH POLYIMIDE FILM FOR FH 0.8 B-T-B CONN. ON TAPING
MATERIAL -		PRODUCT SPEC 108-5390	SIZE A3
FINISH -		APPLICATION SPEC 114-5254	CAGE CODE 00779
		WEIGHT -	DRAWING NO 5084969
		CUSTOMER DRAWING	SCALE 2:1 SHEET 1 OF 1 REV 01