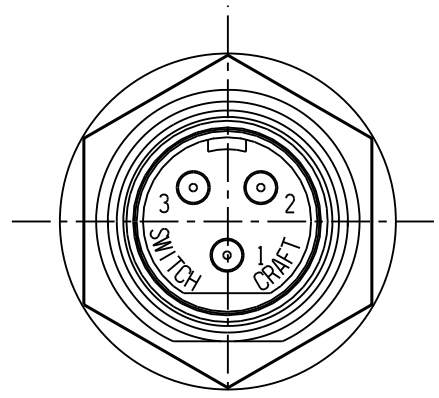
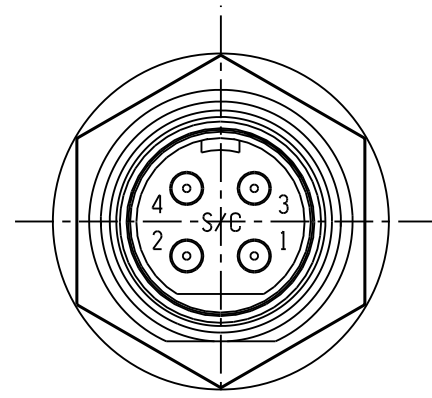


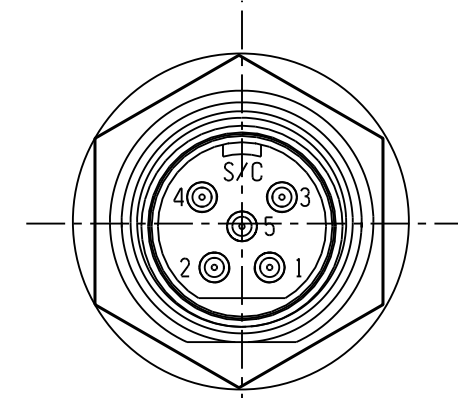
SL172MX
2PIN



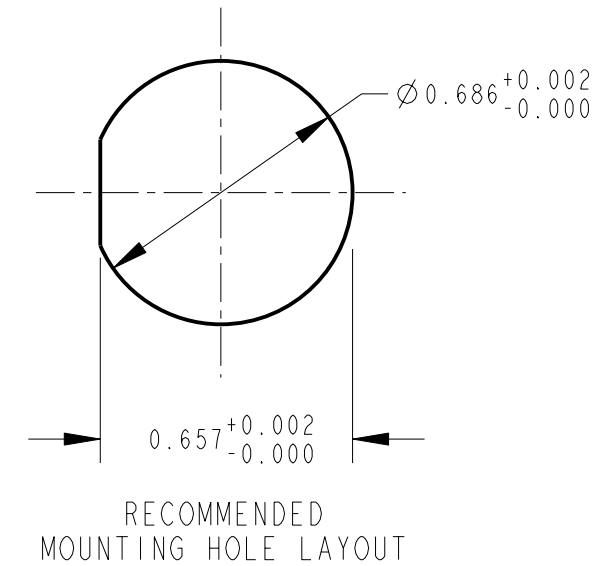
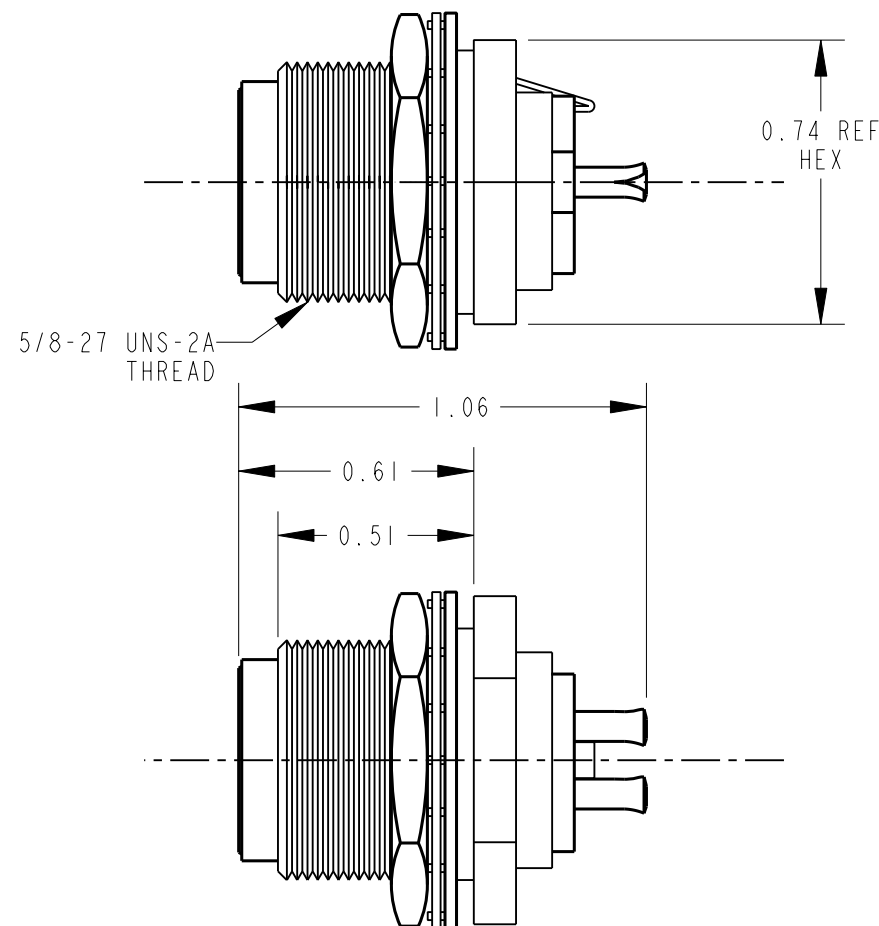
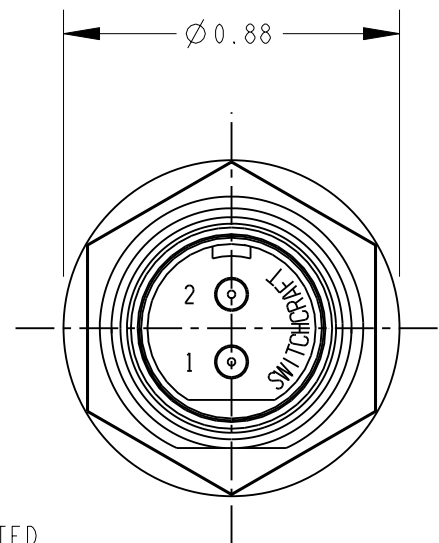
SL173MX
3PIN



SL174MX
4PIN



SL175MX
5PIN



NOTES:

- MATERIALS:
HOUSING - ZINC ALLOY, NICKEL PLATED
INSERT - THERMOPLASTIC, BLACK
CONTACT PINS - COPPER ALLOY, SILVER PLATED
LATCH - STEEL, NICKEL PLATED
HEX NUT - BRASS, NICKEL PLATED
LOCK WASHER - STEEL, NICKEL PLATED
FLAT WASHER - STEEL, NICKEL PLATED
- HOUSING, INSULATOR ASSEMBLY AND HARDWARE SHIPPED UNASSEMBLED.
- THESE PRODUCTS ARE RoHS COMPLIANT.

CUSTOMER DRAWING

REV	ECO NUMBER	DATE	BY	APVD
C	27214	10-28-13	TO	TJK
B	27066	12-12-12	TO	TJK
A	26150	9-15-06	TO	TJK
REVISIONS				

★ STAR SYMBOL DENOTES CRITICAL DIMENSION

UNLESS OTHERWISE SPECIFIED

- ALL DIMENSIONS IN INCHES
- TWO PLACE DECIMALS ±0.01
- THREE PLACE DECIMALS ±0.005
- ANGLES ±1°
- ALL DIA. CONCENTRIC WITHIN 0.005 T.I.R.
- FEATURES ON THE SAME CENTERLINE MUST BE ALIGNED WITHIN ±0.002
- REMOVE ALL BURRS

DO NOT SCALE DRAWING

THIS DRAWING DESCRIBES A DESIGN CONSIDERED PROPRIETARY IN NATURE, DEVELOPED AND MANUFACTURED BY SWITCHCRAFT INC. AND IS RELEASED ON A CONFIDENTIAL BASIS FOR IDENTIFICATION PURPOSES ONLY.									
SIZE		WIDTH		MULT		LBS/M		TEMPER	
FINISH					MATERIAL				
SPEC No.					SPEC No.				
FIRST USED ON				SCALE					
				2:1					
DATE DRAWN	BY	CHKD	APVD	Switchcraft [®]					
06-Jan-11	TO	TO	TJK						
			1-6-11	1-10-11	SHEET		OF		1
NAME SLIM-LINE MALE REAR PANEL MOUNT CONNECTOR, RoHS							PART No.		REV
							SL17_MX SERIES		C