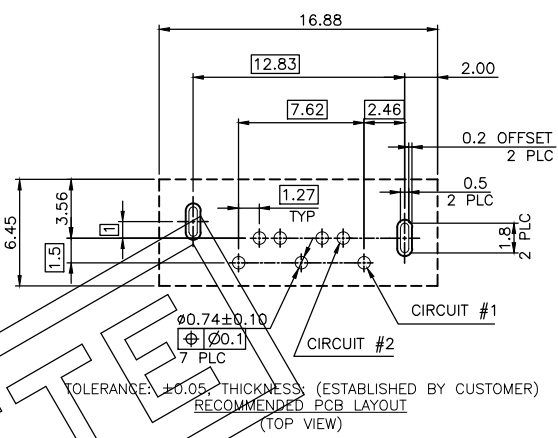
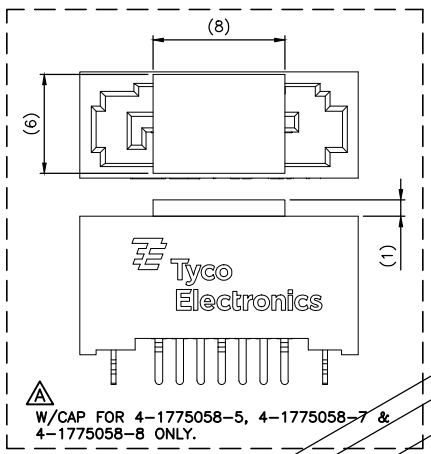
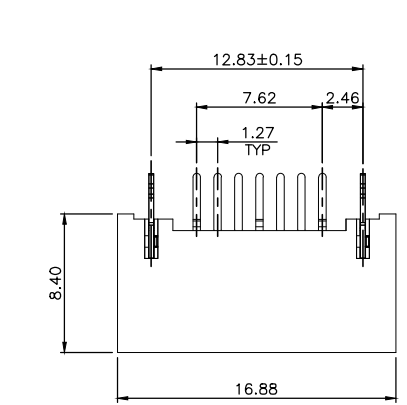


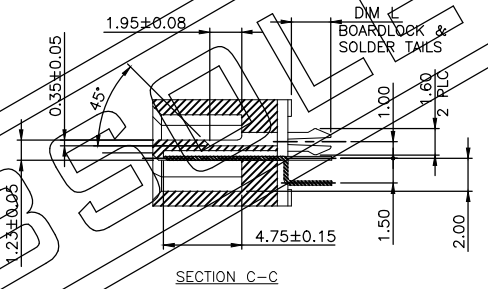
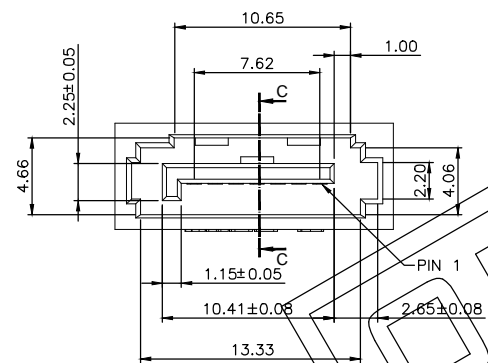
THIS DRAWING IS UNPUBLISHED. RELEASED FOR PUBLICATION AUG ,2006.  
 © COPYRIGHT 2011 BY TYCO ELECTRONICS CORPORATION. ALL RIGHTS RESERVED.

LOC	DIST	REVISIONS					
		P	LTR	DESCRIPTION	DATE	DWN	APVD
DW	-	F4		REVISED PER ECR-19-004344	04SEP2019	E.Z	W.H

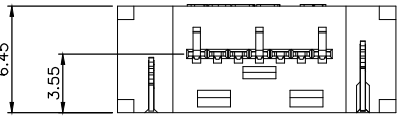
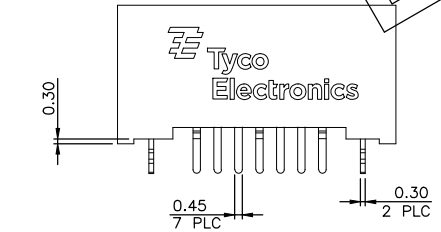


W/CAP FOR 4-1775058-5, 4-1775058-7 & 4-1775058-8 ONLY.  
 TOLERANCES: ±0.05, THICKNESS (ESTABLISHED BY CUSTOMER)  
 RECOMMENDED PCB LAYOUT (TOP VIEW)

▲ SUBSTANCE RESTRICTIONS FOR LOW HALOGEN (BY WEIGHT):  
 • BROMINE (Br) ≤ 900 PPM (0.09%)  
 • CHLORINE (Cl) ≤ 900 PPM (0.09%)  
 • TOTAL CONCENTRATION OF CHLORINE (Cl) + BROMINE (Br) ≤ 1500 PPM (0.15%)



- NOTES:
- MATERIAL:  
HOUSING: PA6T UL94 V-0, COLOR: (SEE TABLE)  
LCP UL94 V-0, BLACK COLOR.  
CONTACT: BRASS.  
PEG: BRASS.
  - FINISH:  
CONTACT: GOLD (SEE TABLE) PLATING ON CONTACT AREA 100µ" MIN. MATTE-TIN PLATING ON SOLDERTAILS 50µ" MIN. NICKEL UNDERPLATING OVER ALL.  
PEG: 100µ" MIN. TIN PLATING ON SOLDERTAILS 50µ" MIN. NICKEL UNDERPLATING OVER ALL.
  - WAVE SOLDER CAPABLE TO 265°C AS PER TE CONNECTIVITY SPEC. 109-202, CONDITION B.
  - TAPE AND REEL PACKAGING.
  - NO DATECODE ON THE PRODUCT.



DIM L	HOUSING COLOR	MIN. GOLD THICKNESS	PART NUMBER
1.80	BLACK	15µ"	4-1775058-8
	DARKEST BLUE (661C)	15µ"	4-1775058-7
	WHITE (COOL GRAY 1C)	15µ"	4-1775058-6
2.05	ORANGE (157C)	15µ"	4-1775058-5
	DARK BLUE (293C)	G/F	4-1775058-4
	WHITE (COOL GRAY 1C)	G/F	4-1775058-3
2.05	BLACK	G/F	4-1775058-2

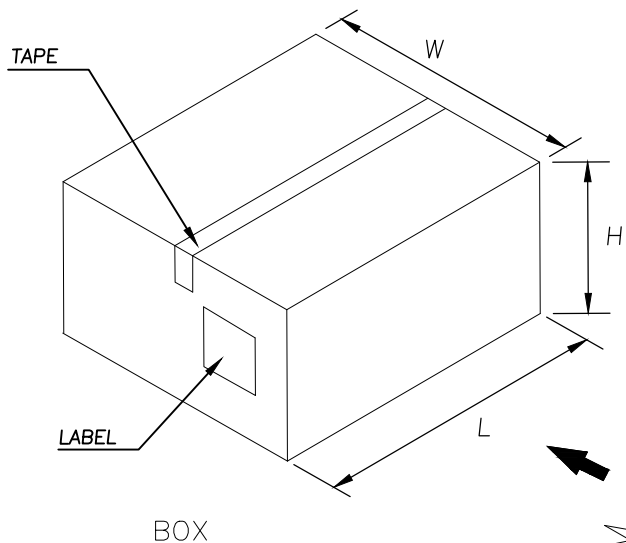
3.30	YELLOW (1235C)	15µ"	4-1775058-1
		G/F	4-1775058-0
	LIGHT BLUE (284C)	15µ"	3-1775058-9
2.05		G/F	3-1775058-8
	WHITE (7506U)	15µ"	3-1775058-7
		G/F	3-1775058-6
3.30		30µ"	3-1775058-5
	RED (208C)	15µ"	3-1775058-4
		G/F	3-1775058-3
3.30		30µ"	3-1775058-2
	GREEN (339C)	15µ"	3-1775058-1
		G/F	3-1775058-0
3.30		30µ"	2-1775058-9
	DARKEST BLUE (661C)	15µ"	2-1775058-8
		G/F	2-1775058-7
3.30		30µ"	2-1775058-6
	BLACK	15µ"	2-1775058-5
		G/F	2-1775058-4
2.40		30µ"	2-1775058-3
	GRAY (422U)	15µ"	2-1775058-2
		G/F	2-1775058-1
2.40		30µ"	1-1775058-9
	DARKEST BLUE (661C)	15µ"	1-1775058-8
		G/F	1-1775058-7
2.40		30µ"	1-1775058-6
	ORANGE (157C)	15µ"	1-1775058-5
		G/F	1-1775058-4
2.40		30µ"	1-1775058-3
	LIGHT BLUE (284C)	15µ"	1-1775058-2
		G/F	1-1775058-1
2.40		30µ"	1-1775058-9
	DARK BLUE (293C)	15µ"	1-1775058-8
		G/F	1-1775058-7
2.40		30µ"	1-1775058-6
	WHITE (COOL GRAY 1C)	15µ"	1-1775058-5
		G/F	1-1775058-4
2.40		30µ"	1-1775058-3
	BLACK	15µ"	1-1775058-2
		G/F	1-1775058-1

THIS DRAWING IS A CONTROLLED DOCUMENT.

DIMENSIONS:	TOLERANCES UNLESS OTHERWISE SPECIFIED:
MM	
	0 PLC ±
	1 PLC ±0.3
	2 PLC ±0.25
	3 PLC ±0.2
	4 PLC ±
	ANGLES ±3°
MATERIAL	FINISH
SEE NOTE	SEE NOTE

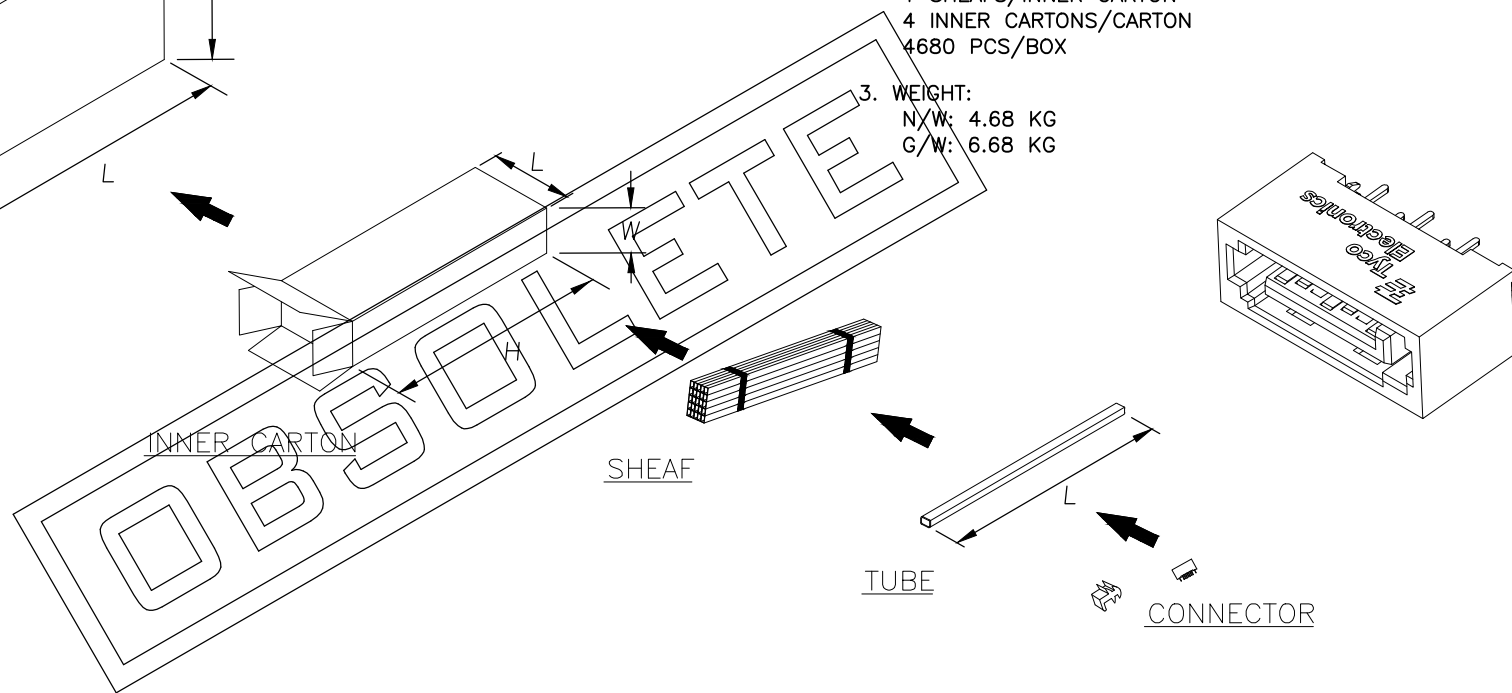
DWN A. WU 05SEP2008	TE Connectivity
CHK S. CHIEN 05SEP2008	
APVD W. KODAMA 05SEP2008	NAME
PRODUCT SPEC 108-57469	SERIAL ATA CONNECTOR, 7 PIN, VERTICAL HEADER, B TYPE.
APPLICATION SPEC	
WEIGHT 1 GRAM	SIZE A3
CUSTOMER DRAWING	CAGE CODE 00779
	DRAWING NO C=1775058
	RESTRICTED TO
	SCALE -
	SHEET 1 OF 3
	REV F4

LOC	DIST	REVISIONS					
DW		P	LTR	DESCRIPTION	DATE	DWN	APVD
				SEE SHEET 1.			



NOTE:

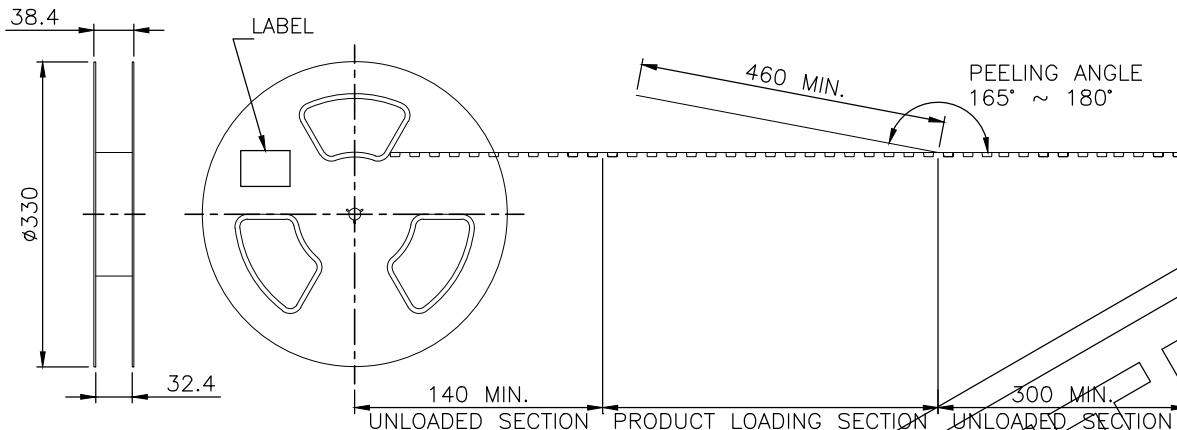
- DIMENSION:  
TUBE: L= 473, W= 13.4, H= 8.1  
INNER CARTON: L= 485, W= 72, H= 86  
CARTON: L= 500, W= 187, H= 169
- QUANTITY:  
26 PCS/TUBE  
45 TUBES/SHEAF  
1 SHEAFS/INNER CARTON  
4 INNER CARTONS/CARTON  
4680 PCS/BOX
- WEIGHT:  
N/W: 4.68 KG  
G/W: 6.68 KG



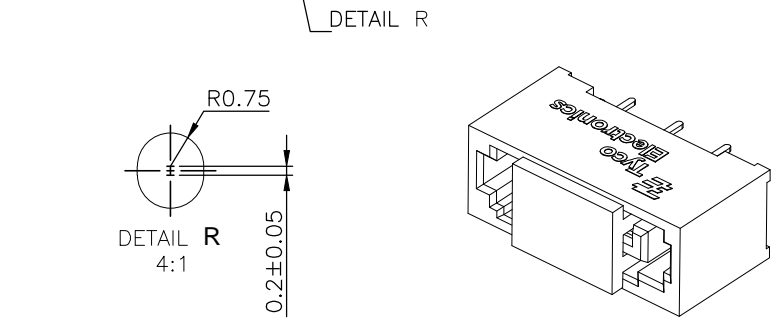
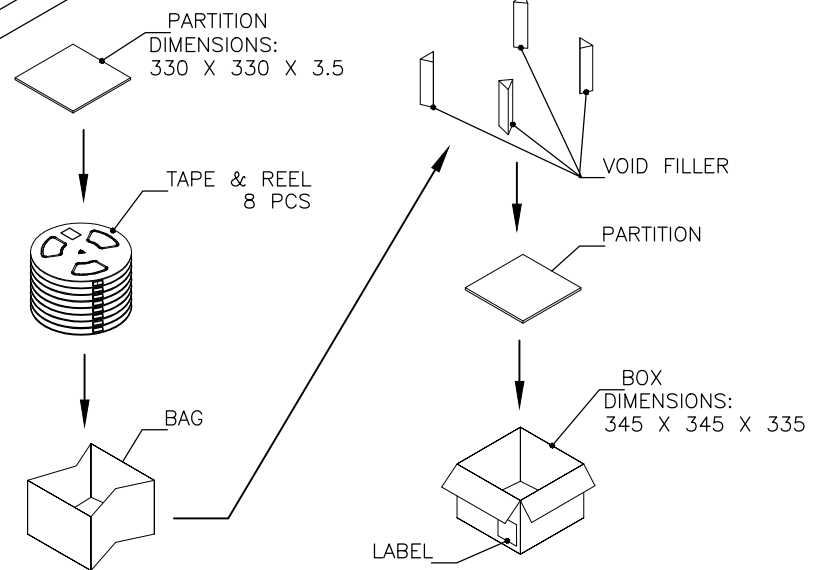
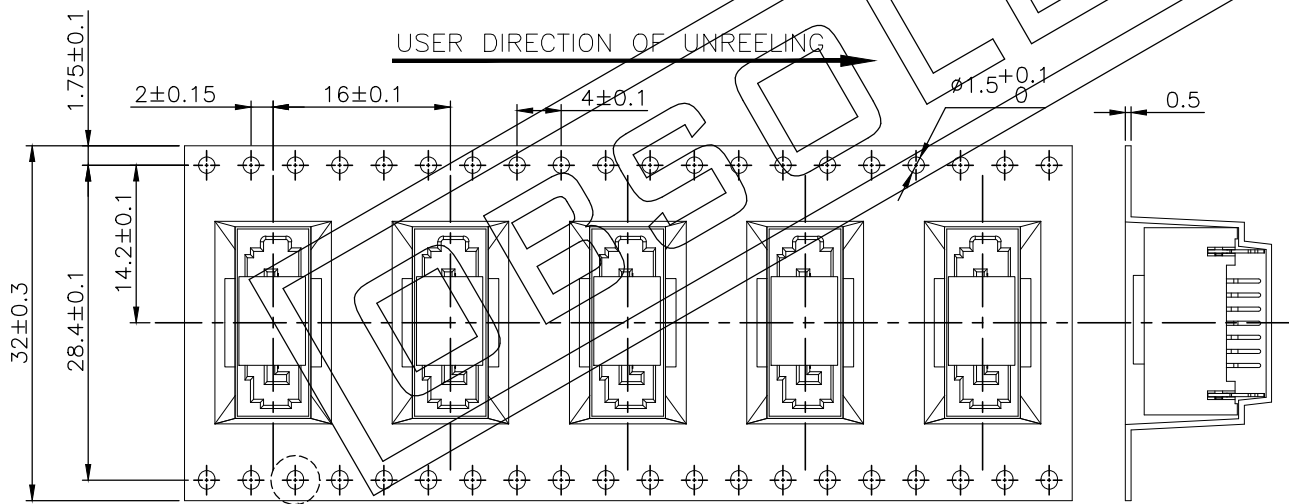
THIS DRAWING IS A CONTROLLED DOCUMENT.		DWN	TE Connectivity	
		CHK		
DIMENSIONS: MM		APVD	NAME	
TOLERANCES UNLESS OTHERWISE SPECIFIED: 0 PLC ± - 1 PLC ± - 2 PLC ± - 3 PLC ± - 4 PLC ± - ANGLES ± - FINISH		PRODUCT SPEC	SERIAL ATA CONNECTOR, 7 PIN, VERTICAL HEADER, B TYPE.	
MATERIAL		APPLICATION SPEC	SIZE	CAGE CODE
		WEIGHT	A3	00779
		CUSTOMER DRAWING	DRAWING NO	RESTRICTED TO
			C=1775058	
		SCALE	SHEET	REV
			2 OF 3	F4

THIS DRAWING IS UNPUBLISHED. RELEASED FOR PUBLICATION AUG, 2006.  
 © COPYRIGHT 2011 BY TYCO ELECTRONICS CORPORATION. ALL RIGHTS RESERVED.

LOC	DIST	REVISIONS					
DW		P	LTR	DESCRIPTION	DATE	DWN	APVD
				SEE SHEET 1.			



- NOTES:
- MATERIAL:  
 BOX: FIBREBOARD, CORRUGATED, DOUBLE WALL.  
 COVER TAPE: PET, TRANSPARENT COLOR.  
 CARRIER TAPE: POLYSTYRENES, TRANSPARENT COLOR.  
 REEL: HIPS, BLUE COLOR.  
 BAG: POLYETHYLENES, TRANSPARENT COLOR.
  - EACH BAG SHALL BE INCLUDED DESICCANT.
  - PEELING STRENGTH: 0.1 ~ 1.3 N (10 ~ 130 GRAMS).
  - PEELING SPEED: 300 mm/min.



\_Flddx	8	300	<del>4-1775058-8</del>
0			<del>4-1775058-7</del>
			<del>4-1775058-5</del>
PCS/BOX	REELS/BOX	PCS/TAPE	PART NUMBER

THIS DRAWING IS A CONTROLLED DOCUMENT.		DWN		TE Connectivity	
DIMENSIONS: MM		CHK			
TOLERANCES UNLESS OTHERWISE SPECIFIED:		APVD		NAME	
0 PLC ± -		PRODUCT SPEC		SERIAL ATA CONNECTOR, 7 PIN, VERTICAL HEADER, B TYPE.	
1 PLC ± -		APPLICATION SPEC		SIZE	
2 PLC ± -		WEIGHT		CAGE CODE	
3 PLC ± -		CUSTOMER DRAWING		DRAWING NO	
4 PLC ± -				RESTRICTED TO	
ANGLES ± -				A3 00779 C=1775058	
FINISH				SCALE	
				SHEET 3 OF 3	
				REV F4	