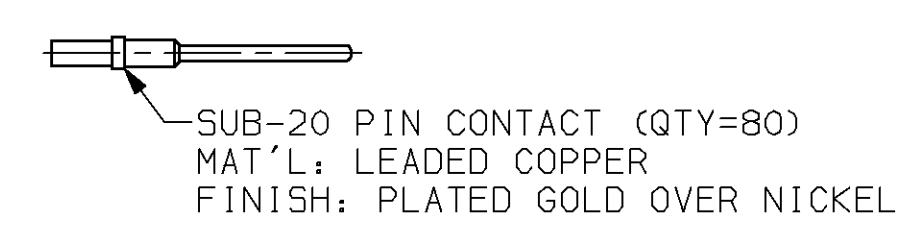
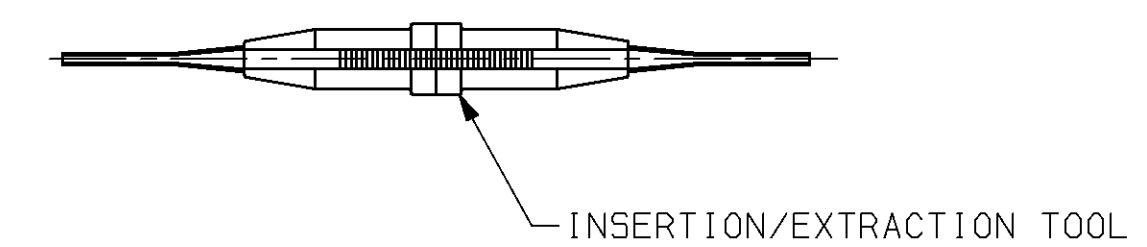
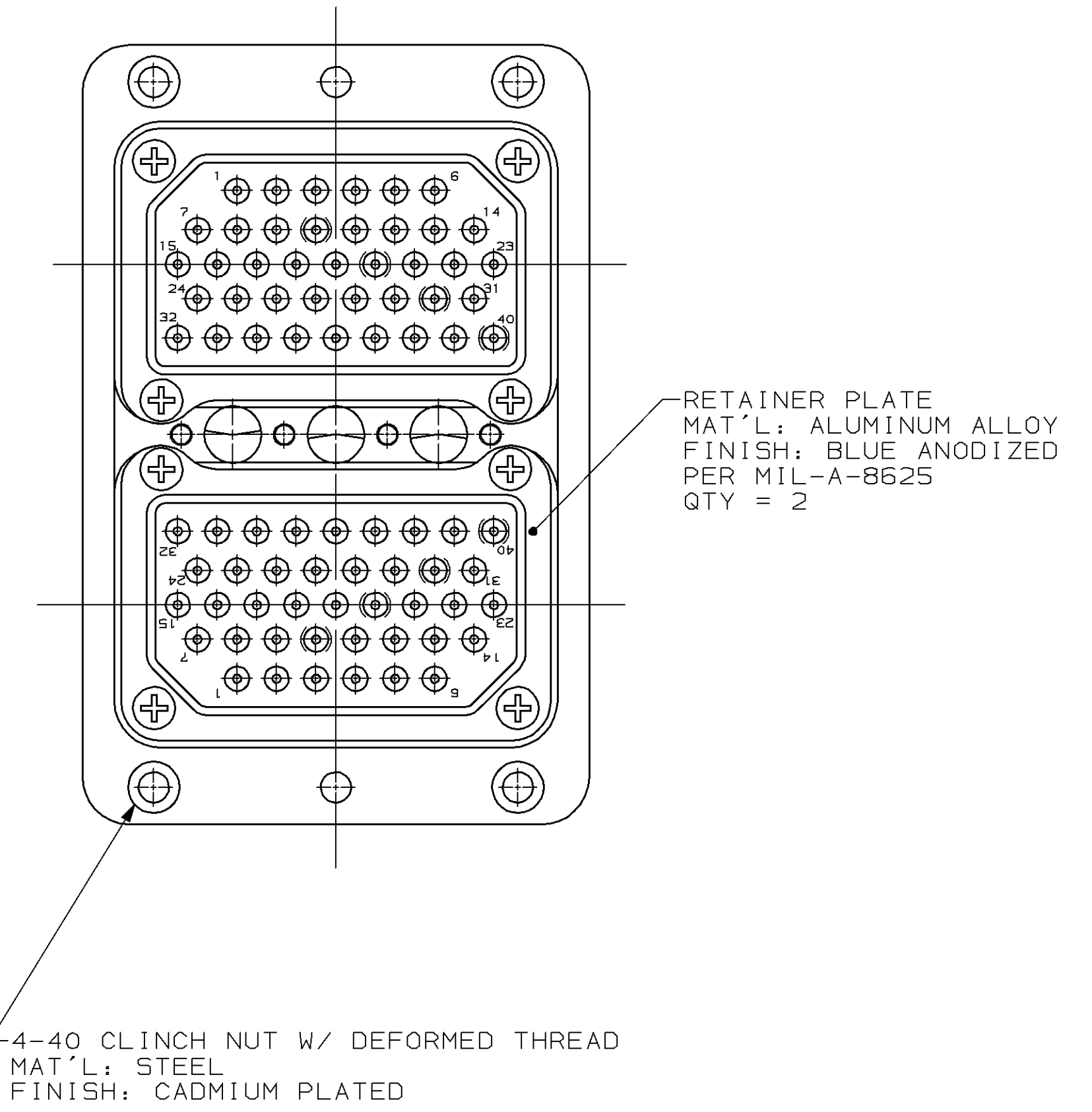
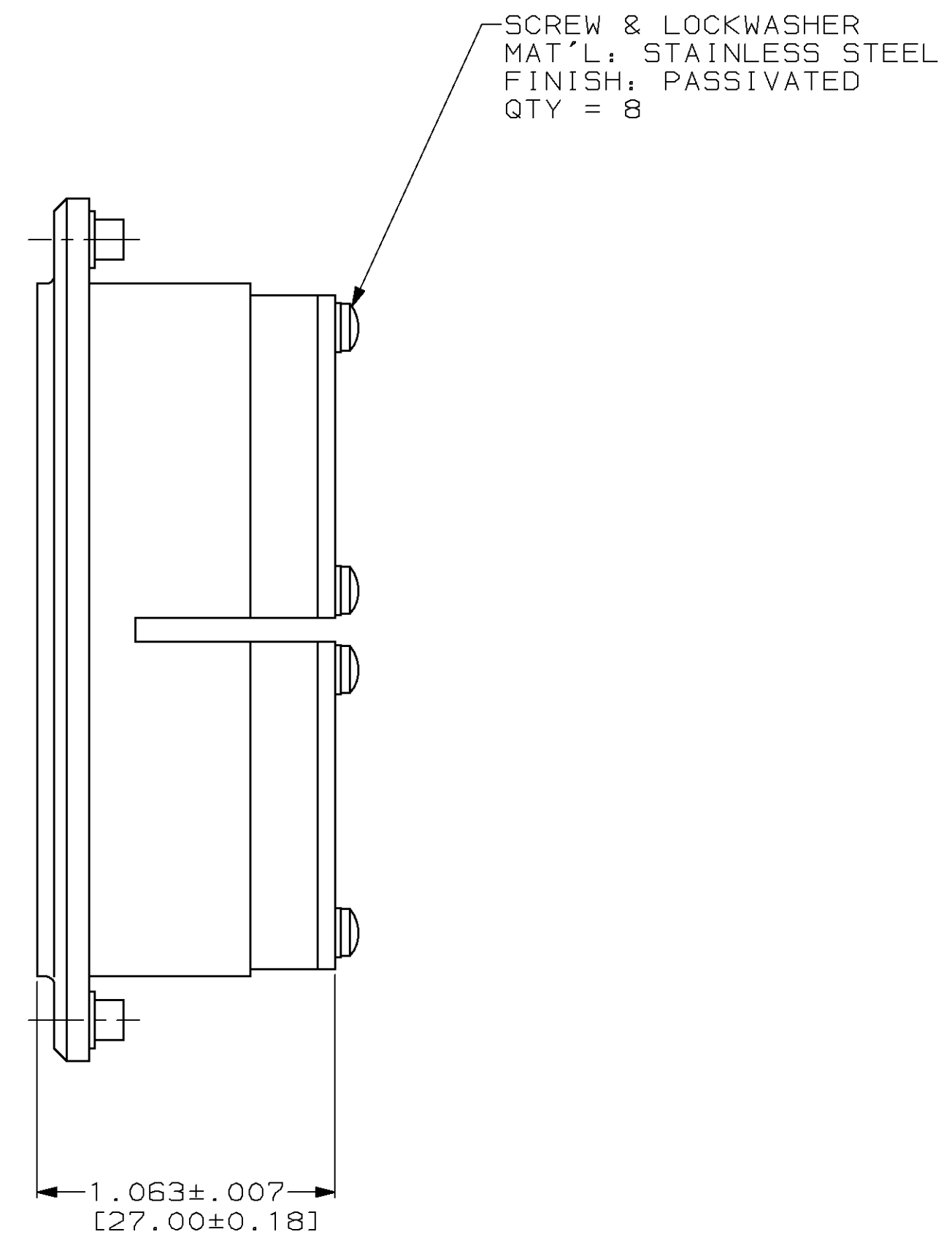
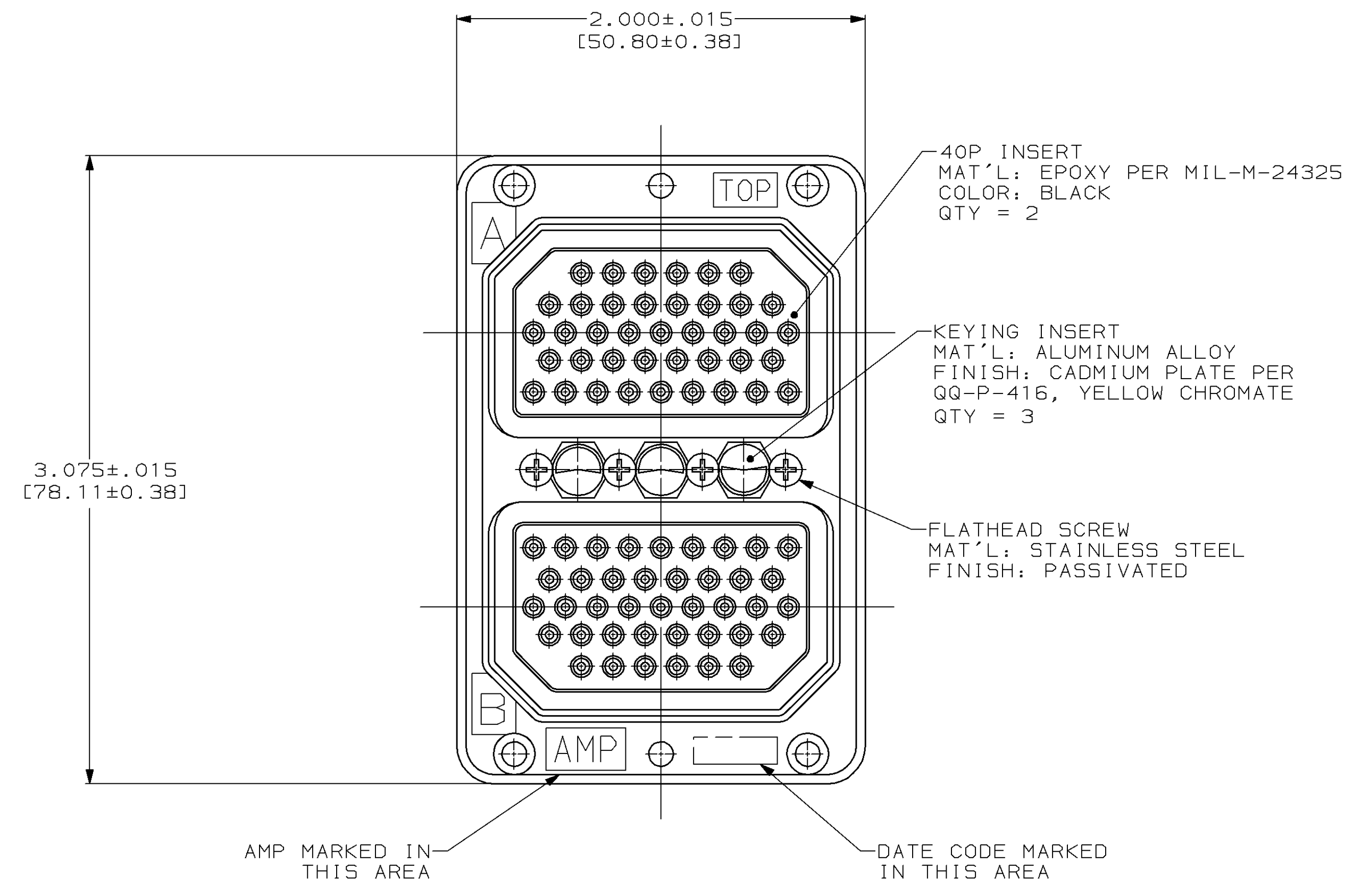
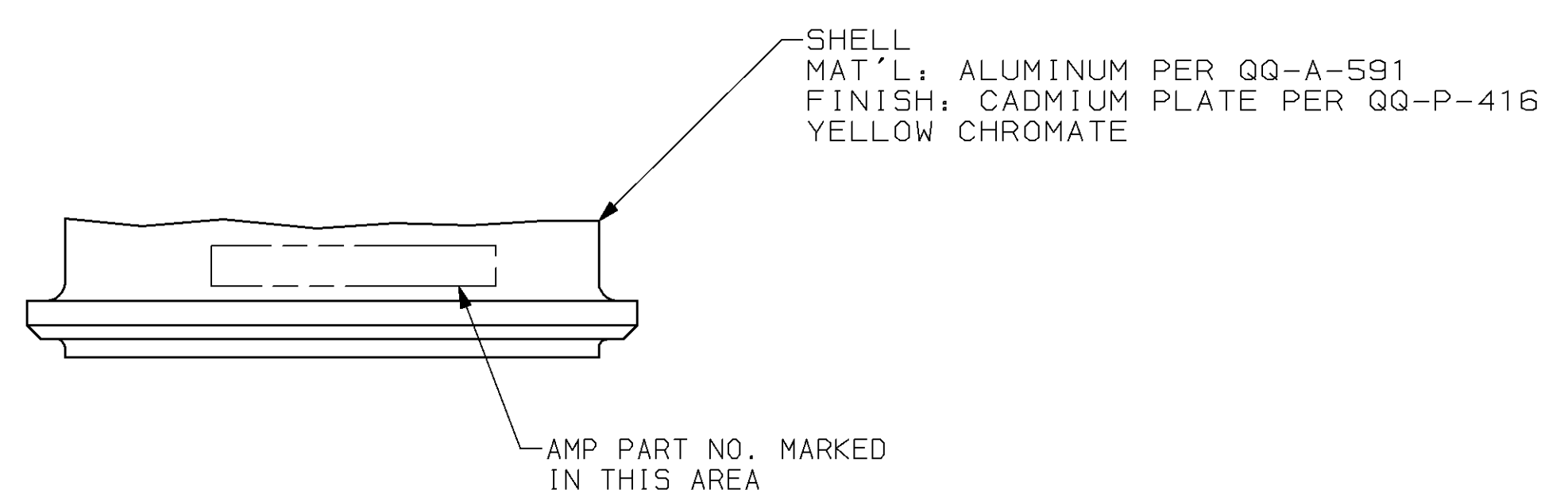


LOC		DIST		REVISIONS			
DF	AO	P	LTR	DESCRIPTION	DATE	OWN	APVD
		0		RELEASED PER 0600-7677-98	8-98	CT	DB



- CONTACTS ARE SHIPPED WITH CONNRCTOR; NOT LOADED.
- KEYING ASSEMBLED IN POSITION "04"

1218342-1  
 PART NO.

<small>THIS DRAWING IS A CONTROLLED DOCUMENT FOR AMP TECHNOLOGIES. IT IS SUBJECT TO CHANGE AND THE CONTROLLING ENGINEERING DEPARTMENT SHOULD BE CONTACTED FOR THE LATEST REVISION.</small>		DWN C. C. THOMAS 8-18-98 CHK D. BELL 8-20-98 APVD D. BELL 8-20-98	AMP AMP Incorporated Harrisburg, PA 17105-3508
DIMENSIONS: (INCHES [mm])	TOLERANCES UNLESS OTHERWISE SPECIFIED: 0 PLC ±- 1 PLC ±- 2 PLC ±- 3 PLC ±.005 (0.13) 4 PLC ±- ANGLES ±-	NAME RECEPTACLE ASSY, ARINC 404, RM2R40P40P-0104 (200)	SIZE A1
MATERIAL	FINISH	APPLICATION SPEC WEIGHT CUSTOMER DRAWING	CAGE CODE 00779
		SCALE 2:1	DRAWING NO. 1218342
		SHEET 1 OF 1	REV 0