

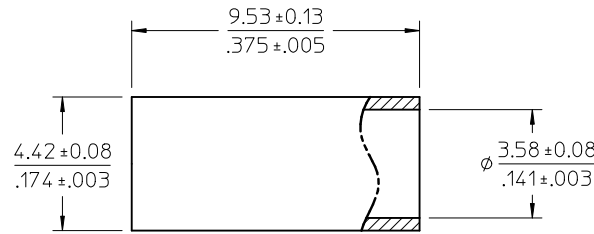
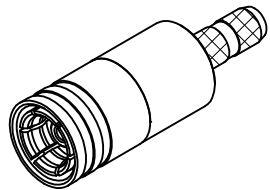
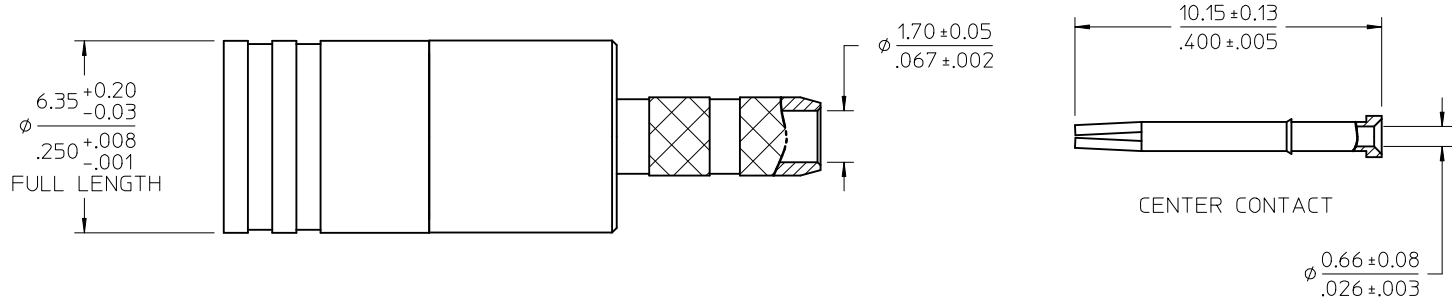
MATERIALS AND FINISHES

BODY, FERRULE, BRASS
PLATED GOLD OVER NICKEL

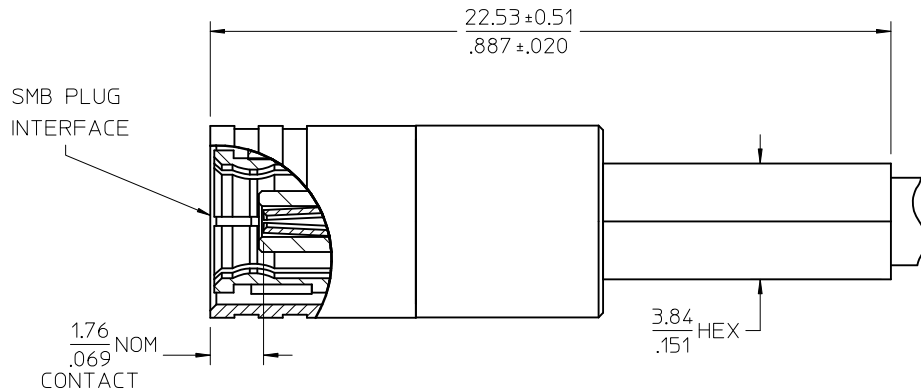
CENTER CONTACT BERYLLIUM COPPER
PLATED GOLD OVER NICKEL

INSULATOR TEFLON

RETAINING RING BERYLLIUM COPPER
PLATED NICKEL



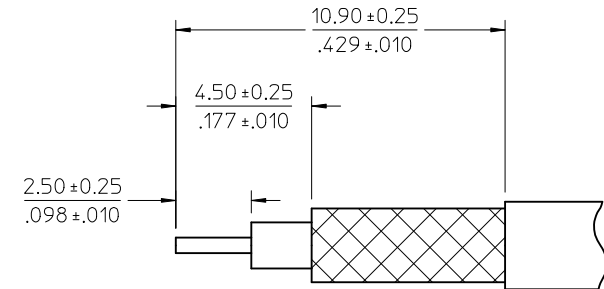
FERRULE



SMB PLUG
INTERFACE

1.76
NOM
.069
CONTACT

3.84
.151
HEX



RECOMMENDED CABLE STRIP
RD-316

73404-2741	TRAY, COMMERCIAL GRADE PLATING
73404-2740	TRAY, MILITARY GRADE PLATING
PART NO.	PACKAGING AND PLATING

CHG: REVISED FRONT BARREL. IEC NO: URF-2012-0200 DRW: ARROBERTSON 2011/10/13 CHK: DSSS 2011/10/13 APPR: WIENER 2011/10/14	QUALITY SYMBOLS ▽=0 ▽=0	GENERAL TOLERANCES (UNLESS SPECIFIED)		DIMENSION STYLE MM/IN		SCALE METRIC	DESIGN UNITS METRIC	THIRD ANGLE PROJECTION
		4 PLACES ± --- ± --- 3 PLACES ± --- ± --- 2 PLACES ± --- ± --- 1 PLACE ± --- ± ---	mm INCH ± --- ± --- ± --- ± --- ± --- ± --- ± --- ± ---	DRAWN BY JDW	DATE 2008/12/09	TITLE SMB PLUG STR RD316 50 OHMS SMB-PC EWR-3847	MOLEX INCORPORATED	DOCUMENT NO. SD-73404-274
B2	DRAFT WHERE APPLICABLE MUST REMAIN WITHIN DIMENSIONS	MATERIAL NO. SEE TABLE	THIS DRAWING CONTAINS INFORMATION THAT IS PROPRIETARY TO MOLEX INCORPORATED AND SHOULD NOT BE USED WITHOUT WRITTEN PERMISSION					