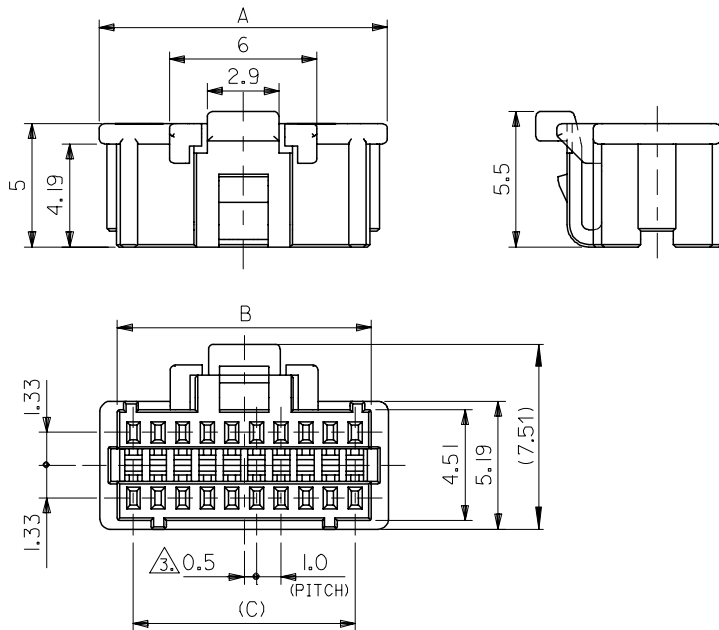
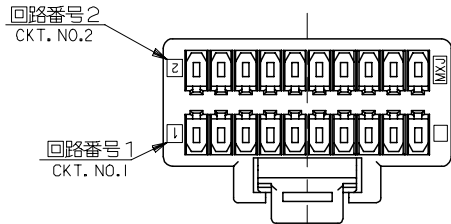
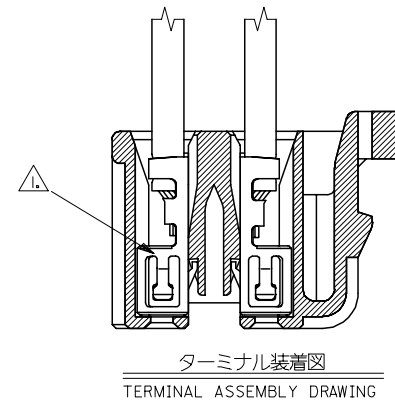


10 9 8 7 6 5 4 3 2 1



NOTES.

- ① 適合ターミナル: 501193-****
APPLICABLE TERMINAL: 501193-****
- ② 嵌合相手: 501190-***1*
MATE WITH: 501190-***1*
- ③ 極数/2=偶数に適用。
APPLY FOR CIRCUIT SIZE/2=EVEN



24	25.3	26.7	501189-5030	50
19	20.3	21.7	501189-4030	40
14	15.3	16.7	501189-3030	30
9	10.3	11.7	501189-2030	20
C	B	A	MATERIAL NO.	CKT.

MATERIAL
66NYLON UL94V-0
COLOR:WHITE
GLASS FILLED:0%

RELEASED
EC NO: J2007-3038
DRW: M.NABE 2007/05/08
CHK: K.TOYODA 2007/05/08
APP: N.UKITA 2007/05/08

GENERAL TOLERANCES (UNLESS SPECIFIED)

10 UNDER	±0.2
10 OVER 30 UNDER	±0.25
30 OVER	±0.3
ANGULAR	±3 °

DRAFT WHERE APPLICABLE
MUST REMAIN
WITHIN DIMENSIONS

DIMENSION STYLE
MM ONLY

DRAWN BY	DATE
M. NABE I	'07/05/07
CHECKED BY	DATE
K. TOYODA	'07/05/07
APPROVED BY	DATE
N. UKITA	'07/05/07

MATERIAL NO.
SEE TABLE

SCALE 5:1
DESIGN UNITS METRIC
THIRD ANGLE PROJECTION

TITLE
1.0 WIRE TO BOARD CONN.
2-ROW RECEPTACLE HOUSING

MOLEX INCORPORATED

DOCUMENT NO. SD-501189-005
SHEET NO. 1 OF 1