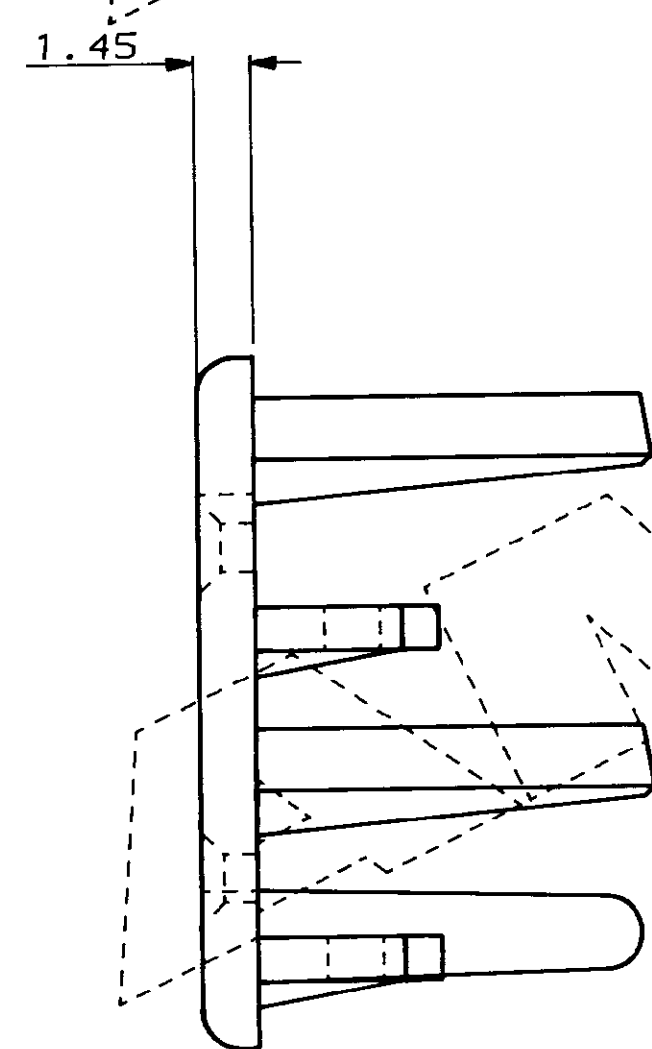
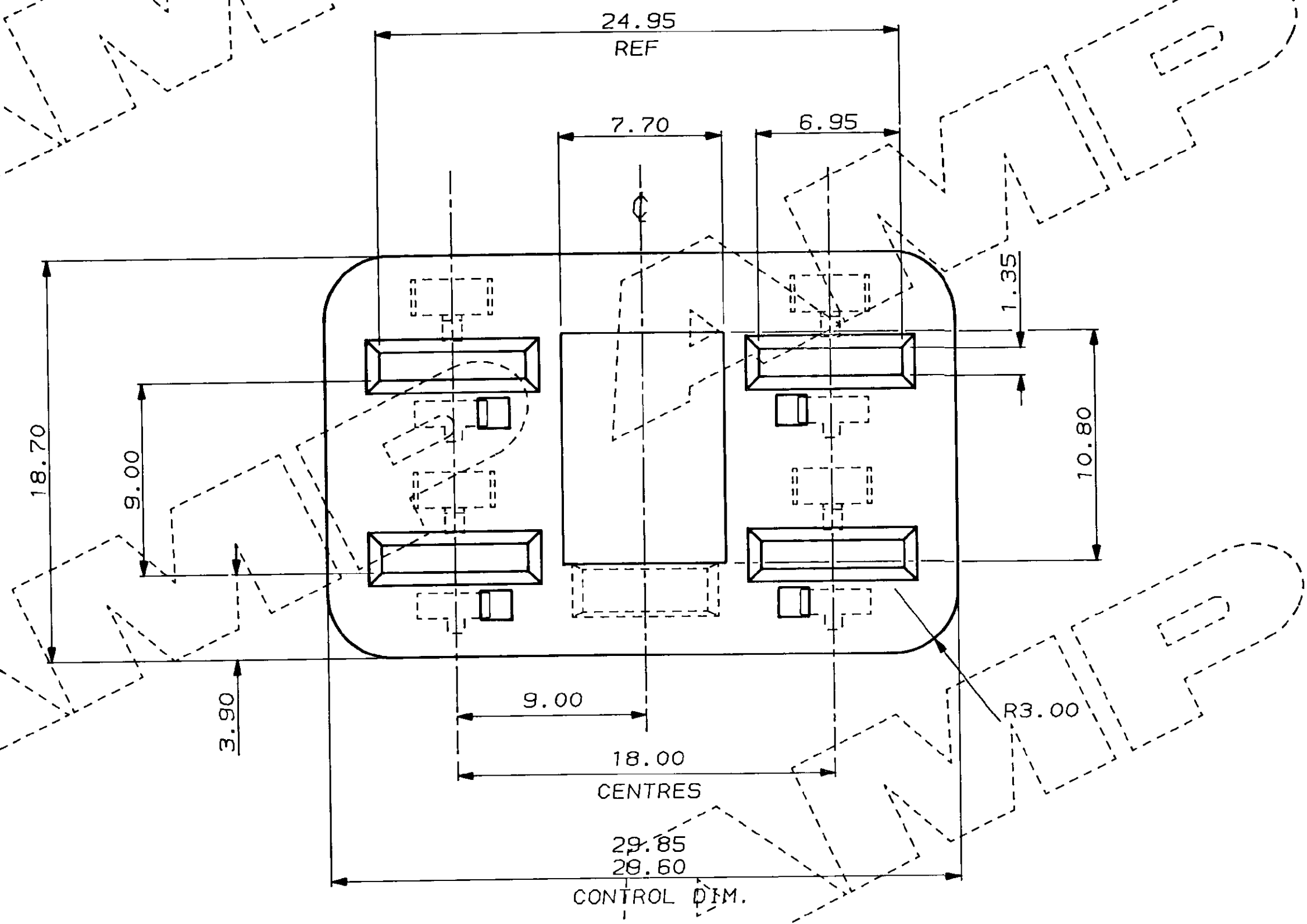
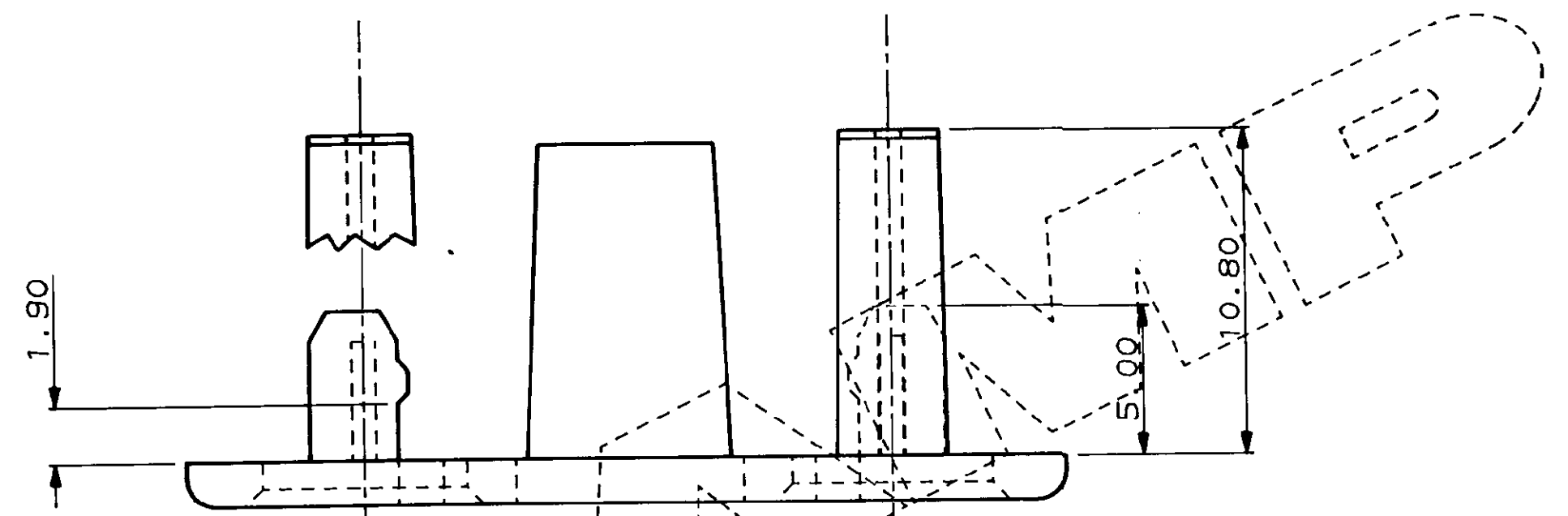
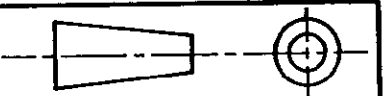


C.A.D. FILE CODE  
S.C344087.B

DO NOT SCALE

DIMENSIONS IN MM.



WHITE	NYLON 6.6	344087-1
FINISH	MATERIAL	PART NUMBER
CUSTOMER DWG FOR REFERENCE ONLY	© COPYRIGHT 19 87 BY AMP OF GREAT BRITAIN LTD. ALL INTERNATIONAL RIGHTS RESERVED. ALL PRODUCTS MAY BE COVERED BY BRITISH AND FOREIGN PATENTS AND/OR PATENTS PENDING.	RELEASED FOR PUBLICATION 2.6.87
TOLERANCES UNLESS OTHERWISE STATED: DEC ± 0.5 ANGLES ± 1°	DR. R. J. S. 2.6.87 CH. R. S. 2.6.87 APP. B. J. 2.6.87	TERMINAL HOUSE STANMORE MIDDX.
B ADDED CON. DIM. FINGERS MODIFIED C5375 28.9.88	NAME A/BACKOUT FOR 4 WAY REC. HSG. ECONOSEAL 3 HIGH CURRENT	
A UPDATED C4996 12.7.88	SCALE 5/1	LOC E
O REL. FOR PROD. C4891 9.3.88	SIZE A2	DWG. No. C344087
REV APPROVED ECN DATE	REV B	SHEET 1/1