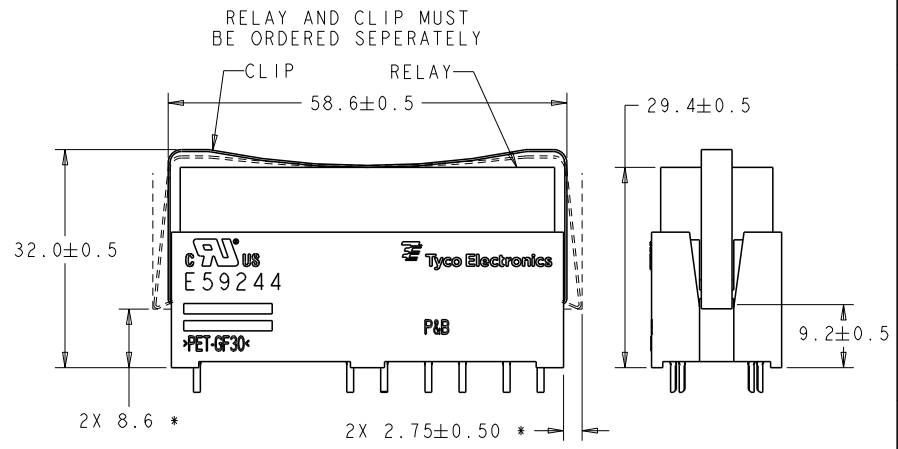
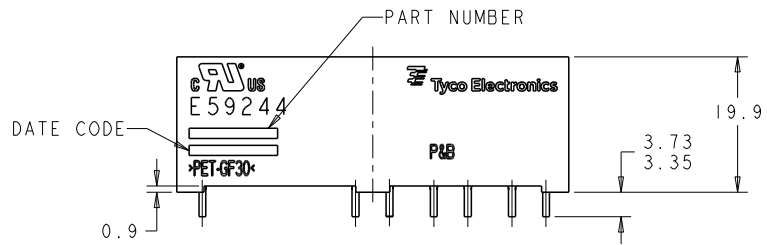
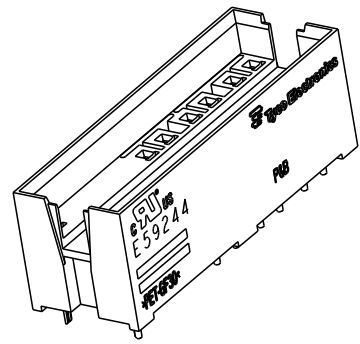
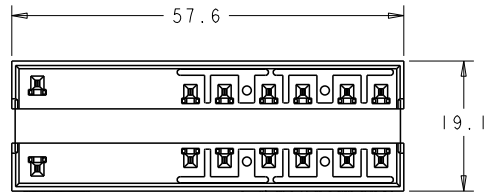


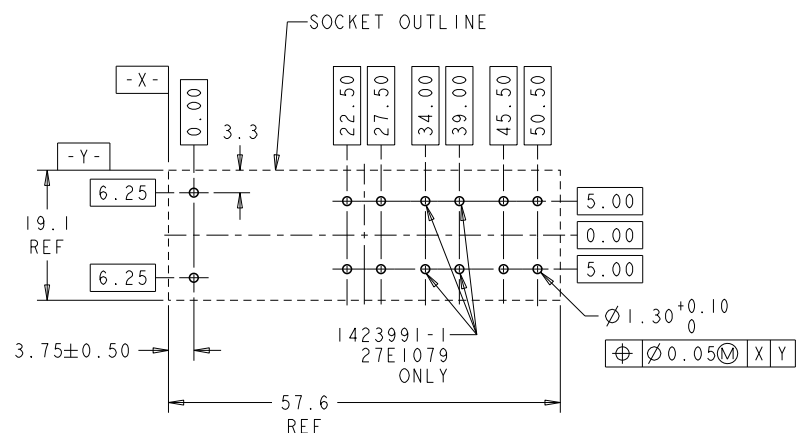
THIS DRAWING IS UNPUBLISHED. RELEASED FOR PUBLICATION 20  
 © COPYRIGHT 20 BY TYCO ELECTRONICS CORPORATION. ALL RIGHTS RESERVED.

LOC		DIST		REVISIONS			
P	LTR	DESCRIPTION	DATE	DRN	APVD		
0		RELEASED PER GPRO4-062	23JUL2004	TCS	HL		
A		ECR-05-000005	5JAN2005	TCS	HL		
B		ECR-10-023228	02DEC2010	JS	WW		
-	-	-	-	-	-		



RELAY AND CLIP MUST BE ORDERED SEPARATELY

CLIP CLEARANCE INFORMATION ONLY  
 \* = CLEARANCE NEEDED TO INSTALL/REMOVE CLIP



SUGGESTED PCB LAYOUT (BOTTOM VIEW)

- NOTES:  
 1. MATERIAL: CONTACTS - COPPER ALLOY HOUSING - FR-PET, 30% GLASS, COLOR - BLACK  
 2. PLATING: CONTACTS - HALT-TIN DIPPED

27E1080	1423991-2	10
27E1079	1423991-1	14
P&B PART NUMBER	TYCO ELECTRONICS PART NUMBER	NUMBER OF POSITIONS

DIMENSIONS: mm 		TOLERANCES UNLESS OTHERWISE SPECIFIED: 0 PLC ±.5 1 PLC ±0.5 2 PLC ±0.13 3 PLC ±0.013 4 PLC ±0.0081 ANGLES ±.0081 FINISH		DRN: J.C. YOSLER 26 JAN 2004 CHK: W.J. RUDY 28 JAN 2004 APVD: - NAME: Tyco Electronics Tyco Electronics Harrisburg, PA 17105-3608	
MATERIAL: - FINISH: -		PRODUCT SPEC: - APPLICATION SPEC: - SIZE: A2 CAGE CODE: 00779 DRAWING NO: C-1423991 RESTRICTED TO: -		CUSTOMER DRAWING: - SCALE: 2:1 SHEET: 1 OF 1 REV: B	