

MATERIAL NUMBER	# OF COLUMNS	# OF DIFF PAIR	DIM "A" MAX	DIM "B"
76450-*10*	10	20	26.60	17.10
76450-*60*	16	32	38.00	28.50

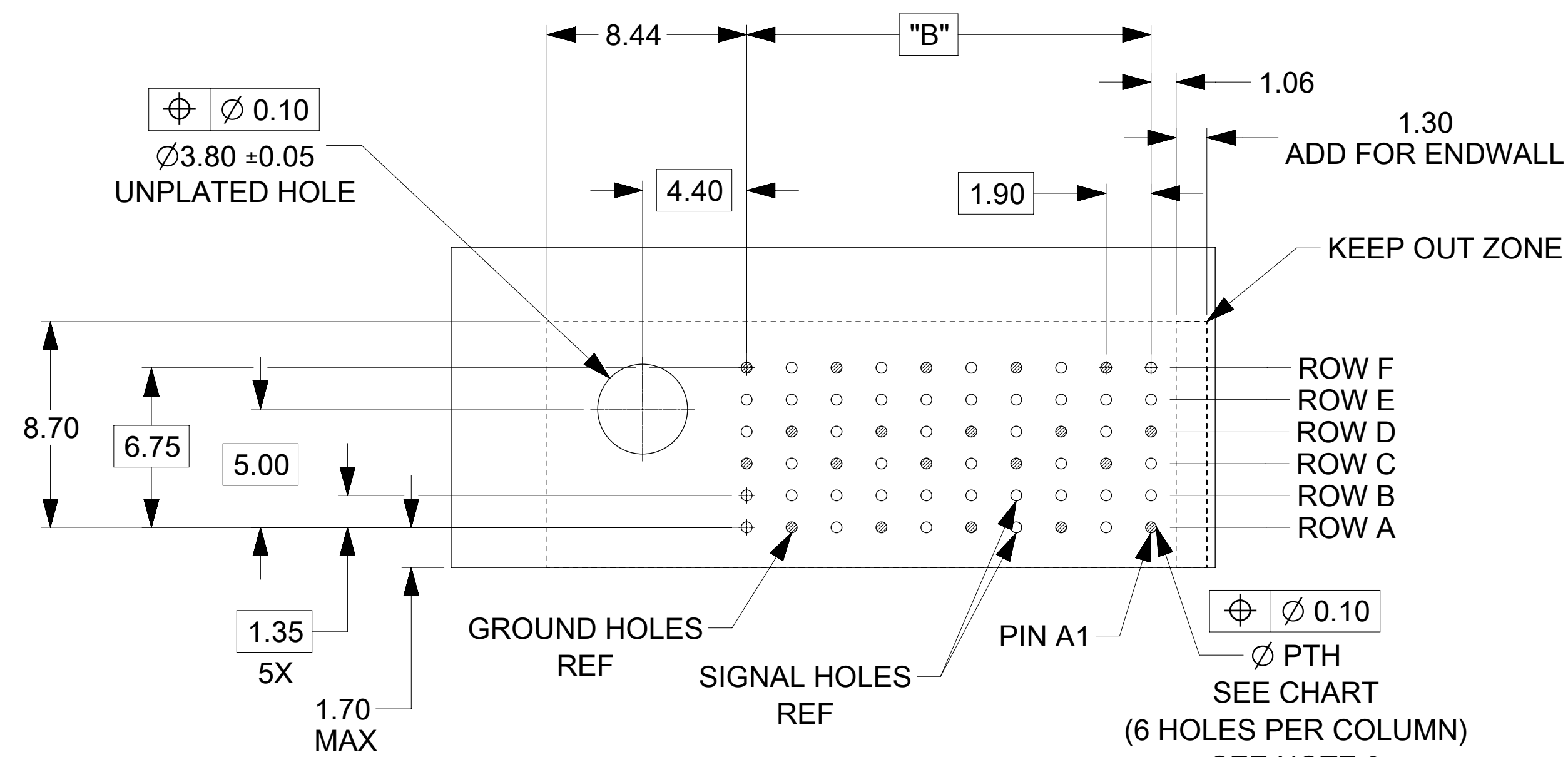
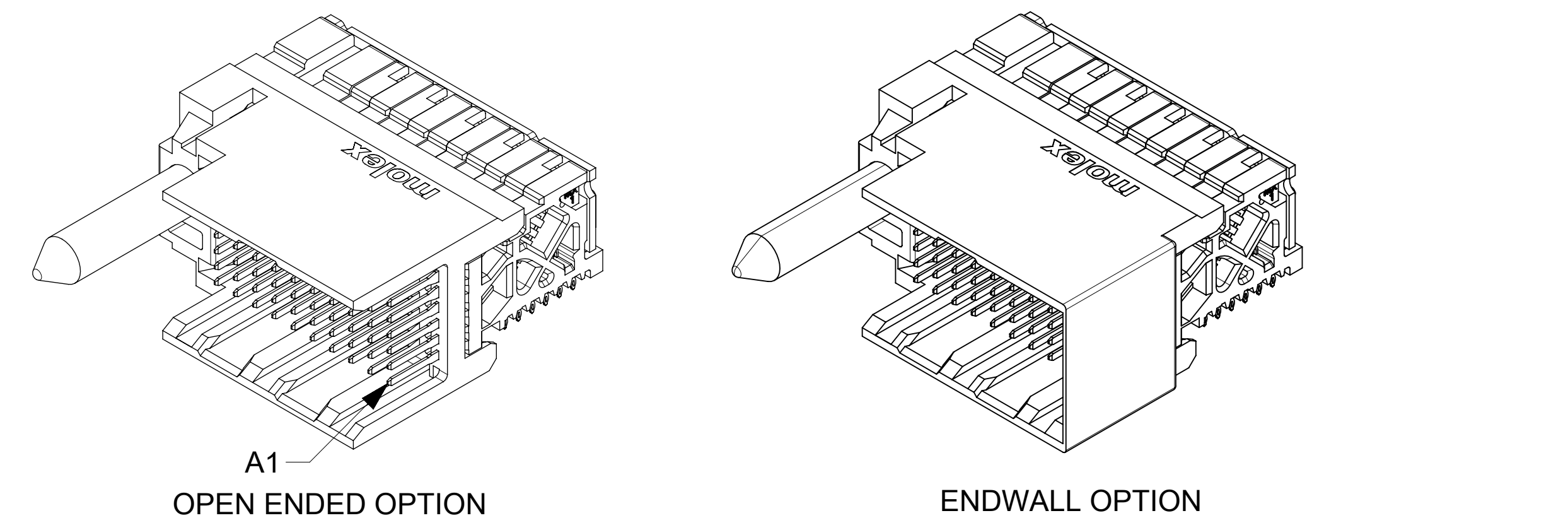
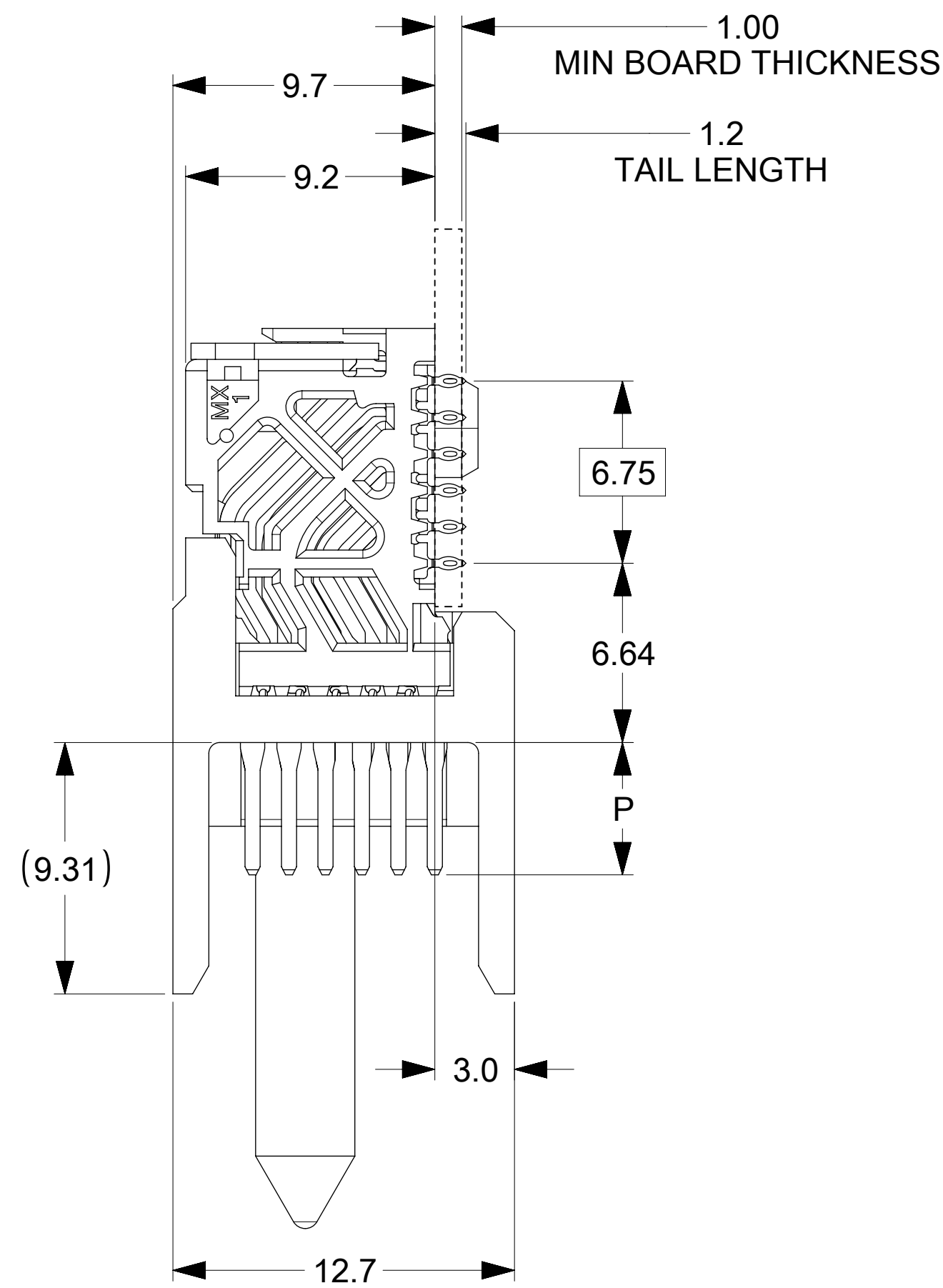
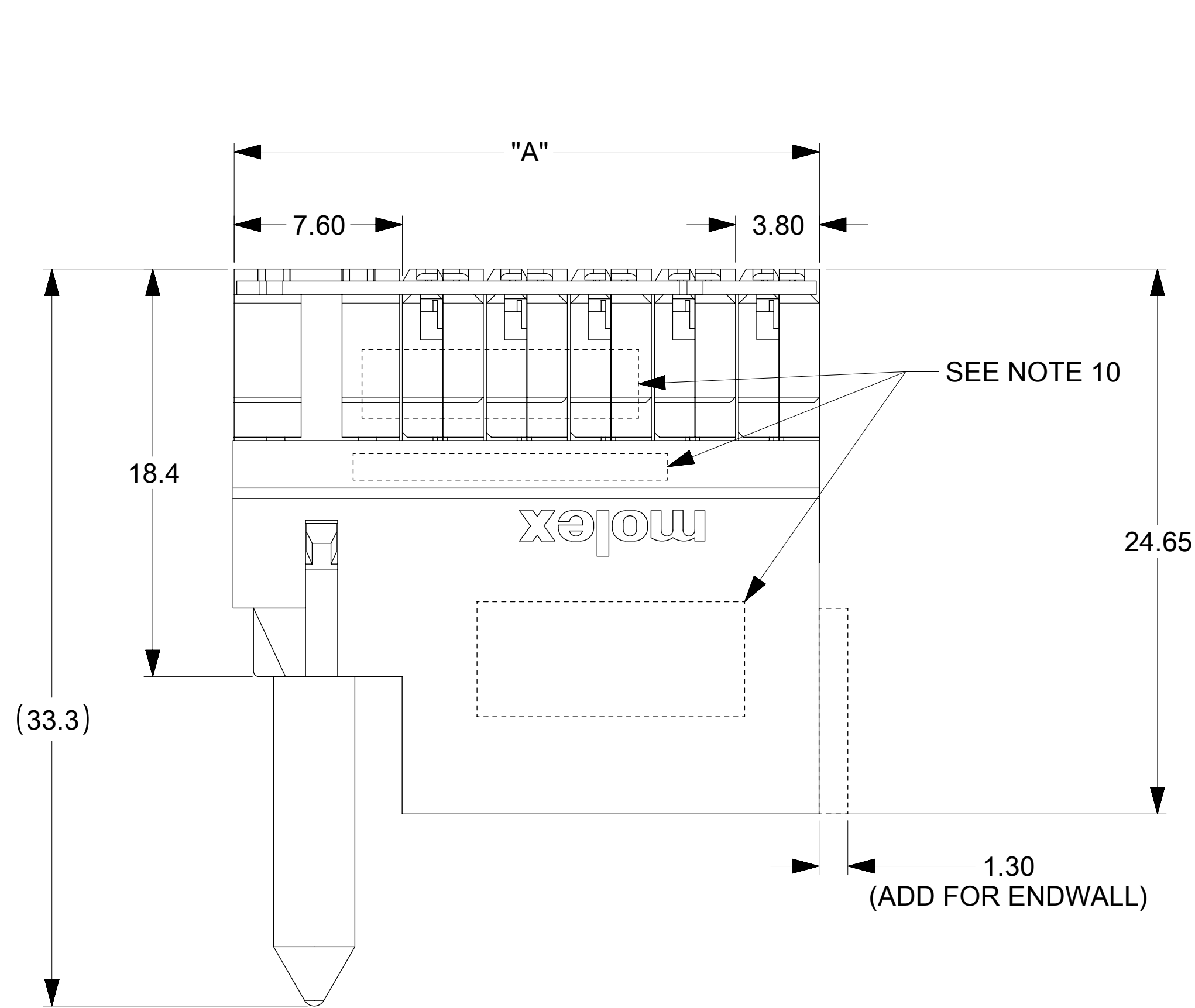
76450-0***

MODULE TYPE
 3 = LEFT GUIDED LEAD-FREE
 7 = LEFT GUIDED LEAD-FREE W/ ENDWALL

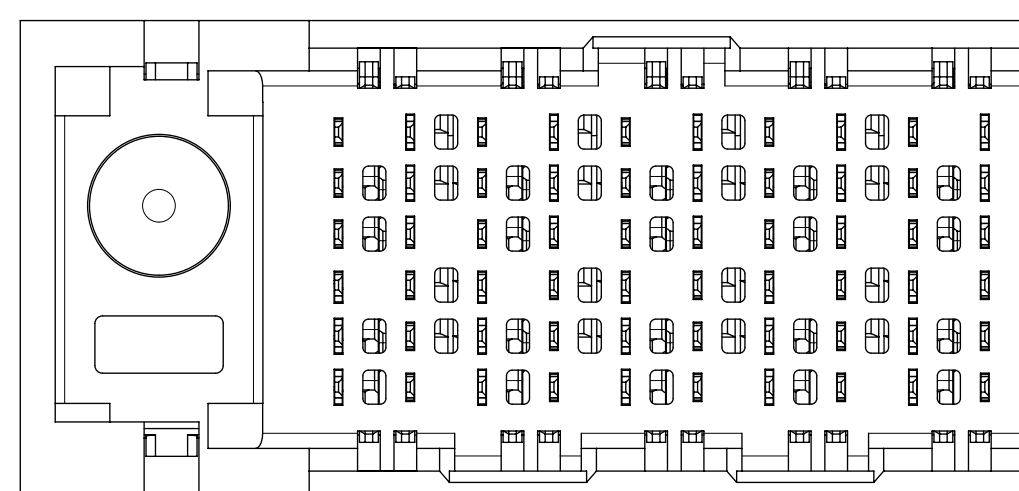
PIN LENGTH (P)
 4 = 4.90 (0.46 PTH)
 5 = 5.50 (0.46 PTH)
 7 = 4.90 (0.39 PTH)
 8 = 5.50 (0.39 PTH)

OF COLUMNS
 1 = 10 COL
 6 = 16 COL

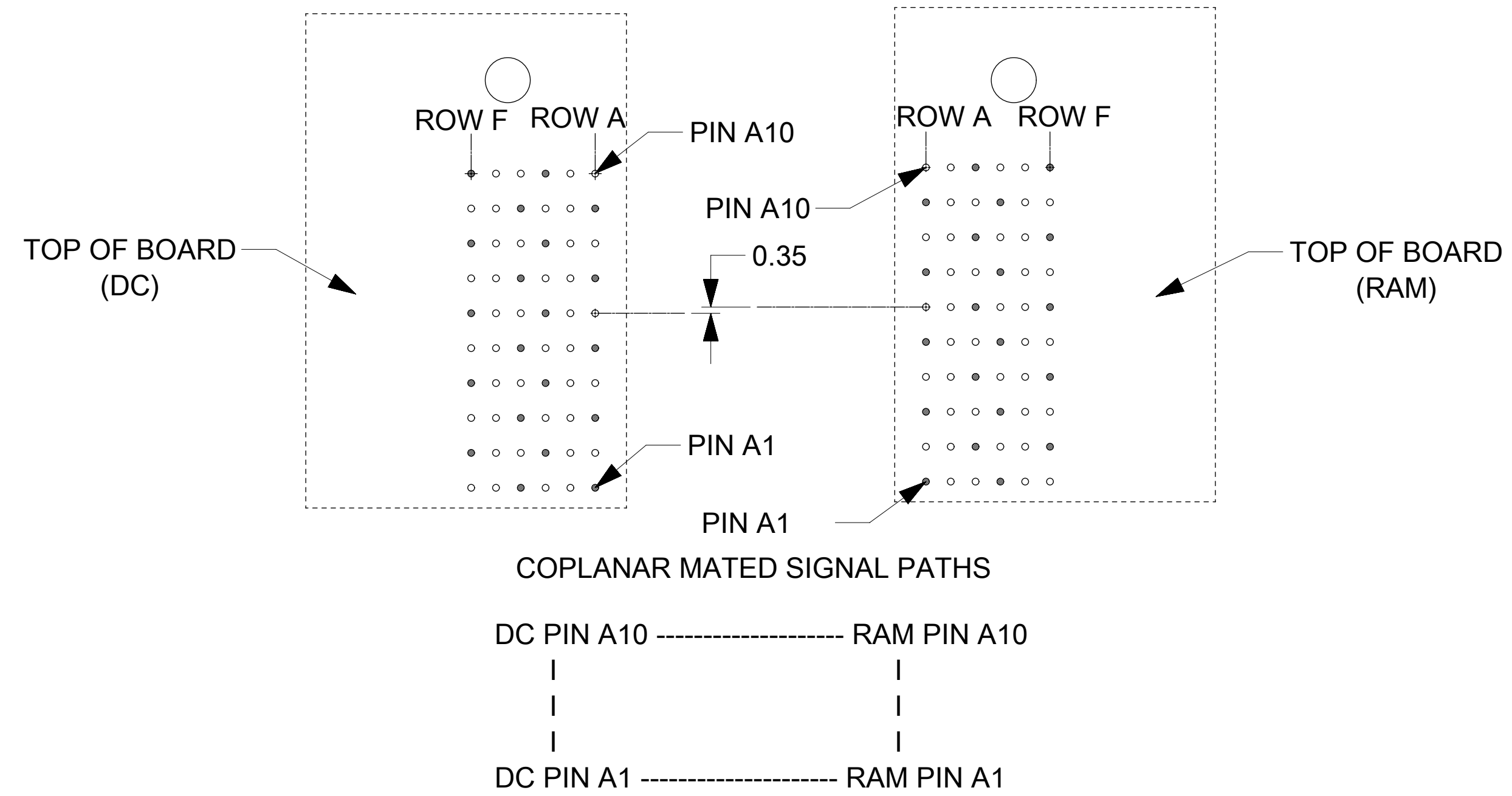
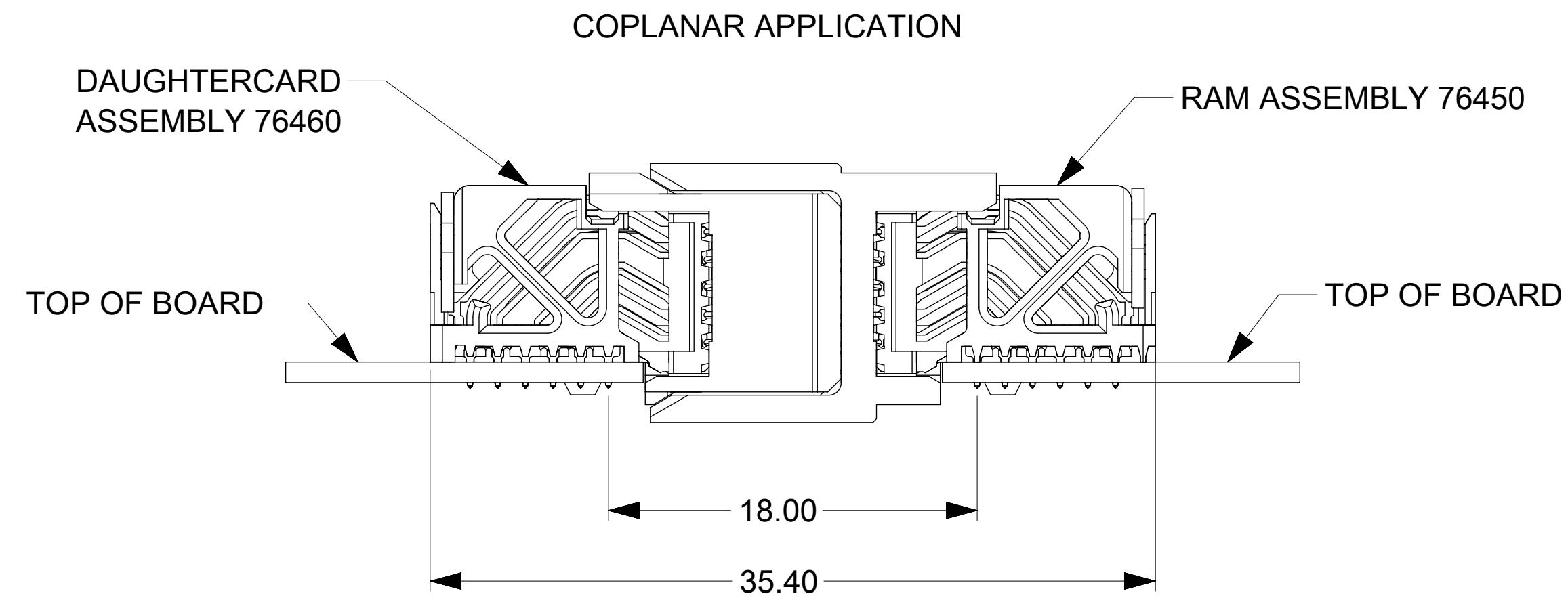
- NOTES:
- MATERIALS: HOUSING - LIQUID CRYSTAL POLYMER (LCP), GLASS-FILLED, UL94V-0
 TERMINALS - HIGH PERFORMANCE COPPER ALLOY
 - FINISH: 30µin SELECTIVE GOLD IN CONTACT AREA, SELECTIVE TIN ON PCB TAILS, NICKEL OVERALL.
 - FOR FURTHER INFORMATION SEE PRODUCT SPECIFICATION PS-76060-999..
 - EACH SIGNAL WAFER CONTAINS 2 COLUMNS OF TERMINALS.
 - PRODUCT TO BE PACKAGED PER PACKAGING SPECIFICATION PK-70873-077.
 - THIS PART CONFORMS TO CLASS B REQUIREMENTS OF COSMETIC SPEC PS-45499-002.
 - REFER TO MOLEX SALES DRAWING SD-76460-004 FOR MATING DAUGHTERCARDS.
 - REFER TO MOLEX PCB ROUTING GUIDE AS-76060-990 FOR ANTIPAD AND ROUTING RECOMMENDATIONS.
 - WHEN USING MOLEX SUPPLIED #2-32 SCREW 73726-0005 (7.62 +0.38/-0.76 mm THREADABLE SCREW LENGTH), THE BOARD THICKNESS RANGE IS 1.60 TO 3.85 mm.
 - MARKING: LOCATED APPROXIMATELY AS SHOWN. PART NUMBER AND DATE CODE.



RAM HOLE PATTERN (CONNECTOR SIDE)



THIS DRAWING CONTAINS INFORMATION THAT IS PROPRIETARY TO MOLEX ELECTRONIC TECHNOLOGIES, LLC AND SHOULD NOT BE USED WITHOUT WRITTEN PERMISSION											
DIMENSION UNITS: mm		SCALE: NTS		CURRENT REV DESC: MIGRATED TO NX							
GENERAL TOLERANCES (UNLESS SPECIFIED)				molex IMPACT 100 OHM 2 PAIR RAM LEFT GUIDED SALES DRAWING							
ANGULAR TOL ± 0.5°				EC NO: 705090 DRWN: PSHANKARACHA 2019/03/13 CHK'D: VINODM3 2022/03/31 APPR: LZENG 2022/05/13 PRODUCT CUSTOMER DRAWING							
4 PLACES ±				INITIAL REVISION: DRWN: MCARRANZA 2008/02/21 APPR: JLAURX 2009/04/17							
3 PLACES ±				DOCUMENT NUMBER: SD-76450-002 DOC TYPE: PSD DOC PART: 001 REVISION: B7							
2 PLACES ± 0.13				MATERIAL NUMBER: SEE TABLE CUSTOMER: GENERAL MARKET SHEET NUMBER: 1 OF 2							
1 PLACE ± 0.25				DRAFT WHERE APPLICABLE MUST REMAIN WITHIN DIMENSIONS THIRD ANGLE PROJECTION DRAWING: D-SIZE SERIES: 76450							
0 PLACES ±											



THIS DRAWING CONTAINS INFORMATION THAT IS PROPRIETARY TO MOLEX ELECTRONIC TECHNOLOGIES, LLC AND SHOULD NOT BE USED WITHOUT WRITTEN PERMISSION									
DIMENSION UNITS	SCALE	CURRENT REV DESC: MIGRATED TO NX							
mm	NTS	molex							
GENERAL TOLERANCES (UNLESS SPECIFIED)		IMPACT 100 OHM 2 PAIR RAM LEFT GUIDED SALES DRAWING							
ANGULAR TOL ± 0.5°		PRODUCT CUSTOMER DRAWING							
4 PLACES ±		EC NO: 705090		DRWN: PSHANKARACHA 2019/03/13		CHK'D: VINODM3 2022/03/31		APPR: LZENG 2022/05/13	
3 PLACES ±		INITIAL REVISION:							
2 PLACES ± 0.13		DRWN: MCARRANZA 2008/02/21		SERIES 76450		MATERIAL NUMBER SEE TABLE		CUSTOMER GENERAL MARKET	
1 PLACE ± 0.25		APPR: JLAURX		DRAWING D-SIZE		REVISION B7		SHEET NUMBER 2 OF 2	
0 PLACES ±		DRAFT WHERE APPLICABLE MUST REMAIN WITHIN DIMENSIONS		THIRD ANGLE PROJECTION		DRAWING D-SIZE		SERIES 76450	