

4

3

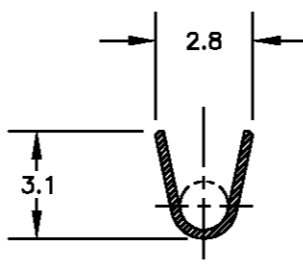
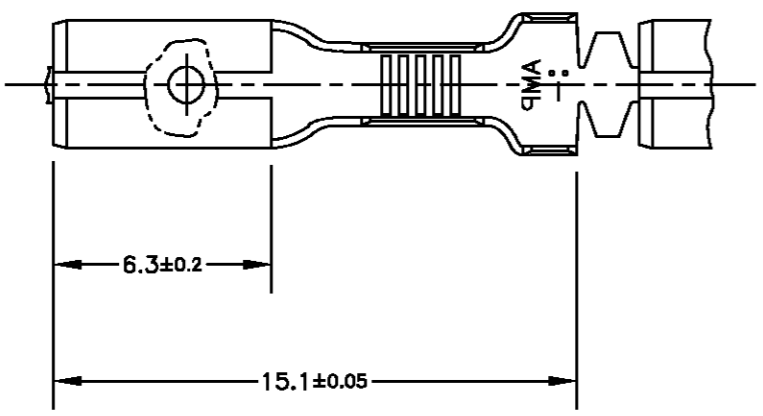
2

1

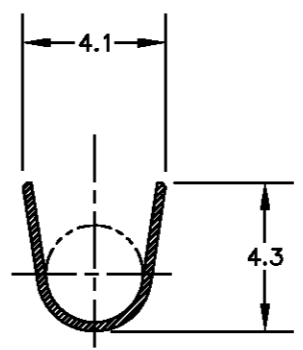
THIS DRAWING IS UNPUBLISHED. RELEASED FOR PUBLICATION .19
COPYRIGHT 19 BY AMP INCORPORATED. ALL RIGHTS RESERVED.

CAD
DO NOT REVISE
EXCEPT BY CAD

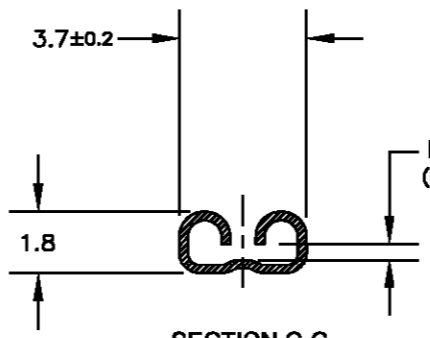
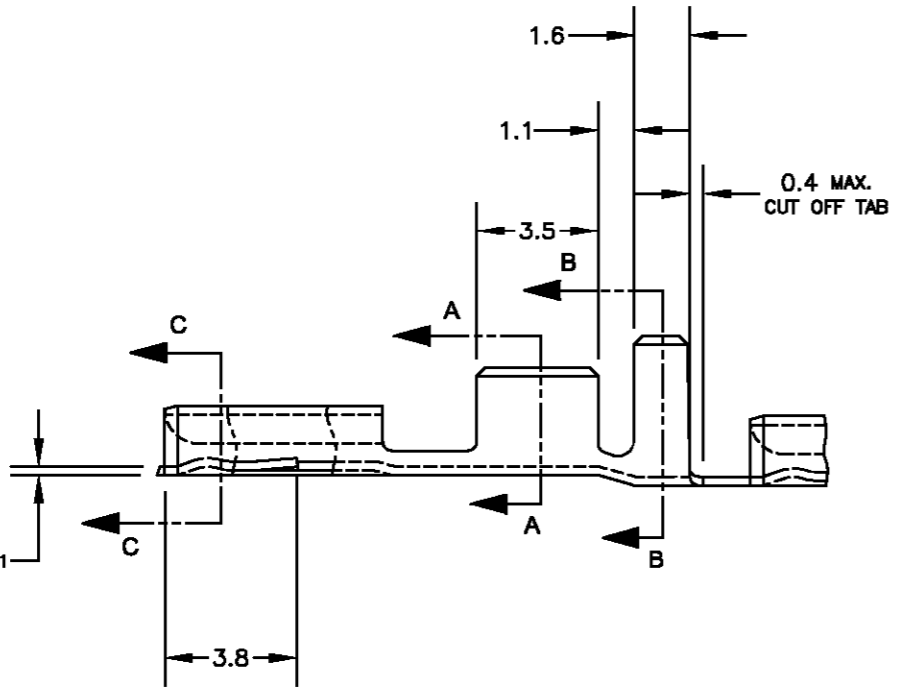
LOC	DIST	REVISIONS			
AP	-	REVISION	DATE	DWN	APVD
		DESCRIPTION		DES	APR
		E	08MAY02	AP	PLF
		E1	30NOV09	KK	AEG



SECTION A-A



SECTION B-B



SECTION C-C

PARA LINGUETA
DE ESPESSURA "A"
(FOR TAB WITH "A" THK.)

0,4	---	LATÃO / BRASS	1-881610-1
0,5	---	BRONZE FOSF. / PHOSP. BRONZE	881610-6
0,5	ESTANHADO / TIN PLATED	LATÃO / BRASS	881610-5
0,5	---	LATÃO / BRASS	881610-4
0,5	---	BRONZE FOSF. / PHOSP. BRONZE	881610-3
0,5	ESTANHADO / TIN PLATED	LATÃO / BRASS	881610-2
0,5	---	LATÃO / BRASS	881610-1
"A"	FINISH	MATERIAL	PART NUMBER

INS. RANGE 2,2 - 3,0 mm	WIRE RANGE 1,0 - 1,5 mm ²
THIS DRAWING IS A CONTROLLED DOCUMENT.	
DIMENSIONS: DIMENSÕES MM	TOLERANCES UNLESS OTHERWISE SPECIFIED: TOLERÂNCIA NCO ESPECIFICADAS
	0 PLC/DEC ± - 1 PLC/DEC ± 0,3 2 PLC/DEC ± - 3 PLC/DEC ± - 4 PLC/DEC ± - ANGLES/ANGULARES ± 1°
MATERIAL SEE TABLE	FINISH ACABAMENTO SEE TABLE

DWN/DES A.PERUSSI	08MAY2002	AMP AMP do Brasil Ltda. São Paulo, Brasil
CHK/CH P.L.FARIA	08MAY2002	
APVD/APR L.W.PRADO	08MAY2002	NAME DESIGNO
PRODUCT SPEC 108-37014	.110 SERIES FASTON RECEPTACLE	
APPLICATION SPEC 114-2036	SIZE A3	CAGE CODE 00779
WEIGHT -/-	DRAWING NO DESENHO NO C-881610	RESTRICTED TO -/-
CUSTOMER DRAWING/DESENHO DE CLIENTE	SCALE ESCALA 5:1	SHEET FOLHA 1 OF 1
		REV E1

△ - PEÇA SOLTA. △ - LOOSE PIECE.
2 OBSOLETE PARTS: OBSOLETE CIS STREAMLINING PER D.RENAUD/D.SINISI