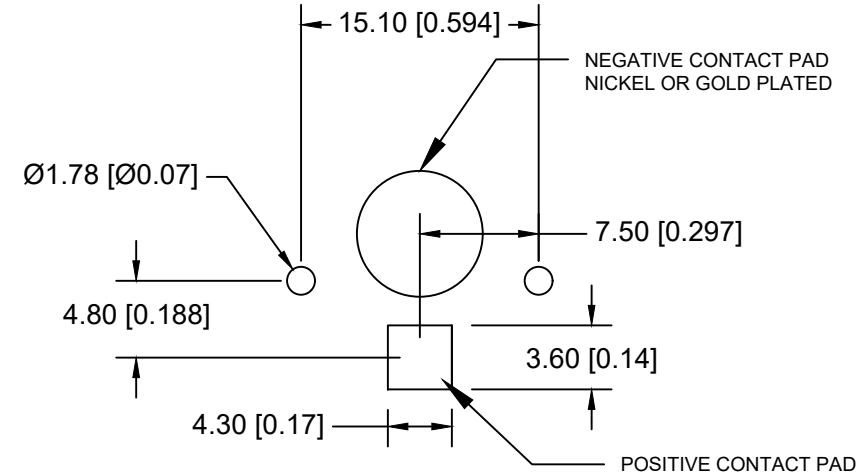
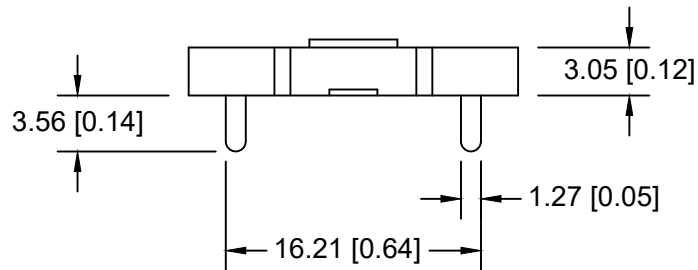
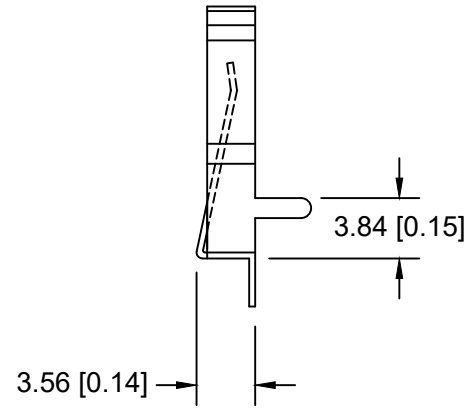
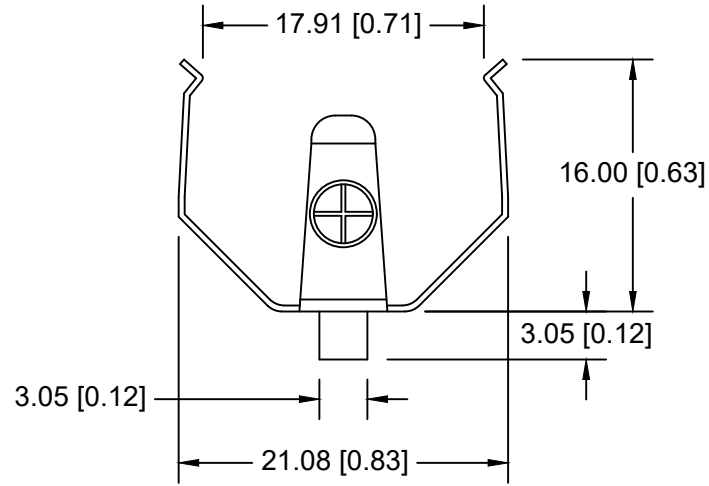



Date	SYM	REVISION RECORD	AUTH	DR.	CK.
12/28/18	F	Updated neg. and pos. contact location	T.B.	B.S.	
10/31/19	G	Added weight of the part	T.B.	B.S.	



PCB LAYOUT

NOTES:

- MATERIAL:
0.25mm PHOSPHOR BRONZE, NICKEL PLATED OVERALL.
ROHS COMPLIANT
TEMPERATURE RANGE: -40°C TO +270°C
- VIBRATION TEST: 10-50-10HZ SWEEPED IN 60 SECONDS
X,Y,Z DIRECTION: 1 HOUR EACH DIRECTION
RESULTS: NO DISLODGEMENT OF THE CELL OR DAMAGE
NO DISCONTINUITY OVER 10 MICRO-SECONDS
- SHOCK TEST: HALF SINE WAVE ACCELERATION 150G.
6 ms 1 SHOCK PULSES EACH DIRECTION PER AXIS
RESULTS: NO EVIDENCE OF PHYSICAL DAMAGE
- DROP TEST: MOUNTED ON BOARD AND DROPPED 1 TIME PER
DIRECTION FROM 1m HIGH TO WOODEN FLOOR
RESULTS: NO DISLODGEMENT OF THE CELL, NO DAMAGE TO THE
HOLDERS
- APPROXIMATE WEIGHT: 0.60g

Tolerance (Except as noted)	 Memory Protection Devices, Inc 200 Broad Hollow Road, Farmingdale, New York 11735		
	decimal ±.1 (.004)	Scale	Drawn By B.S. Approved By T.B.
Fractional ± .2 (.008)	Title BR/CR 2032 BATTERY RETAINER		
Angular ± 1°	Date 10/31/19	Drawing Number BK-915	