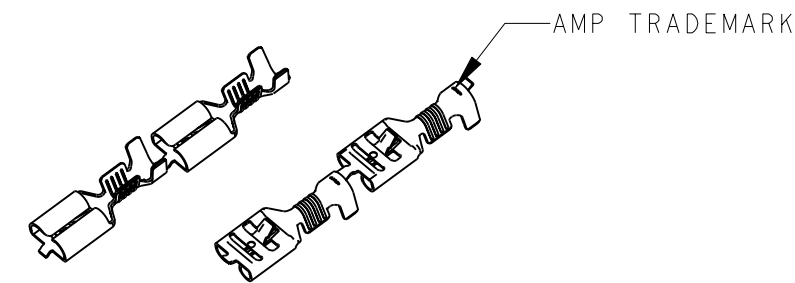
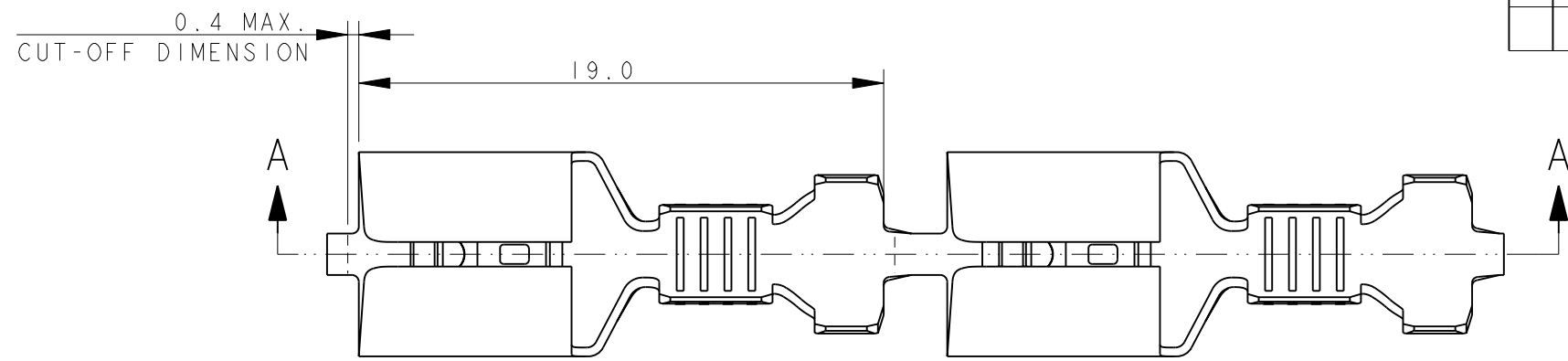
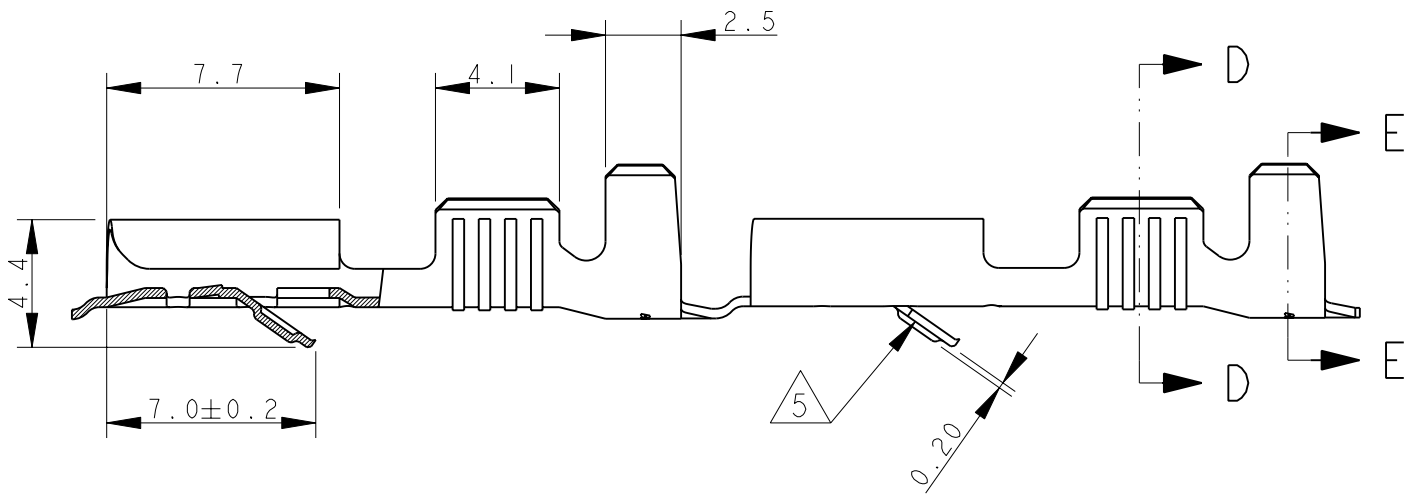


THIS DRAWING IS UNPUBLISHED. RELEASED FOR PUBLICATION 20  
 © COPYRIGHT 20 BY TYCO ELECTRONICS CORPORATION. ALL RIGHTS RESERVED.

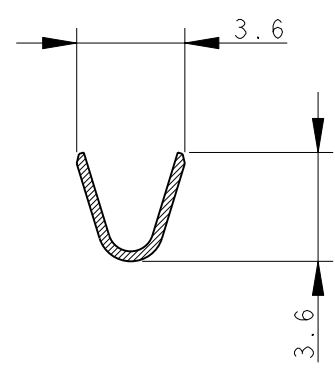
LOC	DIST	REVISIONS			
P	LTR	DESCRIPTION	DATE	DWN	APVD
1	-	E1	REDRAWN	23AUG2006	HY GT
		E2	REVISED PER ECO-09-026495	16DEC09	KK AEG



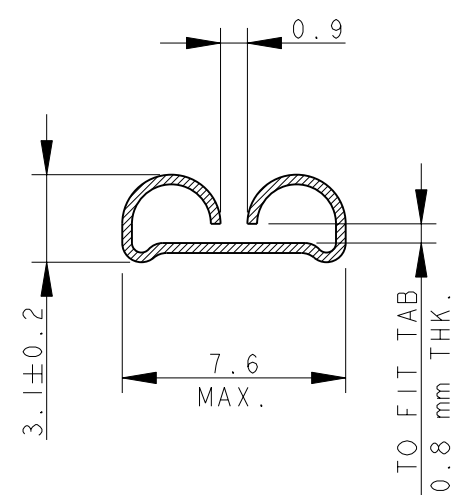
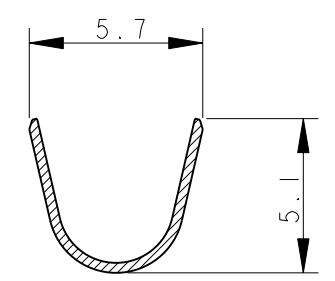
SECTION A - A



SECTION D - D



SECTION E - E



- 1 SUPPLY CONDITION DIRECTION OFF TOP OF REEL
- 2 SUPPLY CONDITION DIRECTION OFF TOP OF REEL

- 3) REELED ON 12" CARTON TYPE REEL WITH INTERLEAVE PAPER STRIP.
- 4 SUITABLE FOR HIGH EXTRACTION FORCE APPLICATION.
- 5 BEAT IN LOCKING LANCE
- 6 VERSION WITH DIMPLE
- 7 OBSOLETE PARTS: OBSOLETE CIS STREAMLINING PER D.RENAUD/D.SINISI

7 OBSOLETE

NOTE	FINISH	MATERIAL	TYCO P/N	REV
6	PRE-NICKEL	STEEL	0-284340-5	C
4	PLAIN	BRASS	0-284340-4	C
	PRE-TINNED	BRASS	0-284340-3	D
2	PRE-TINNED	BRASS	0-284340-2	E

<small>THIS DRAWING IS A CONTROLLED DOCUMENT FOR TYCO ELECTRONICS CORPORATION IT IS SUBJECT TO CHANGE AND THE CONTROLLING ENGINEERING ORGANIZATION SHOULD BE CONTACTED FOR THE LATEST REVISION.</small>		DWN H. YAALI 23AUG2006 CHK H. YAALI 23AUG2006 APVD G. TURCO 23AUG2006		Tyco Electronics, C.so F.lli Cervi, 15 COLLEGNO (TO)	
DIMENSIONS: mm 		TOLERANCES UNLESS OTHERWISE SPECIFIED: 0 PLC ±0.3 1 PLC ±0.3 2 PLC ± 3 PLC ± 4 PLC ± ANGLES ±2°		NAME FASTIN-FASTON* Connector 6.3 mm sr. RECEPTACLE CONTACT	
MATERIAL SEE TABLE		FINISH SEE TABLE		PRODUCT SPEC 108-20020 APPLICATION SPEC 114-20021 WEIGHT -	
CUSTOMER DRAWING			SIZE A300779 CAGE CODE C-284340		RESTRICTED TO -
SCALE 4:1			SHEET 1 OF 1		REV E2