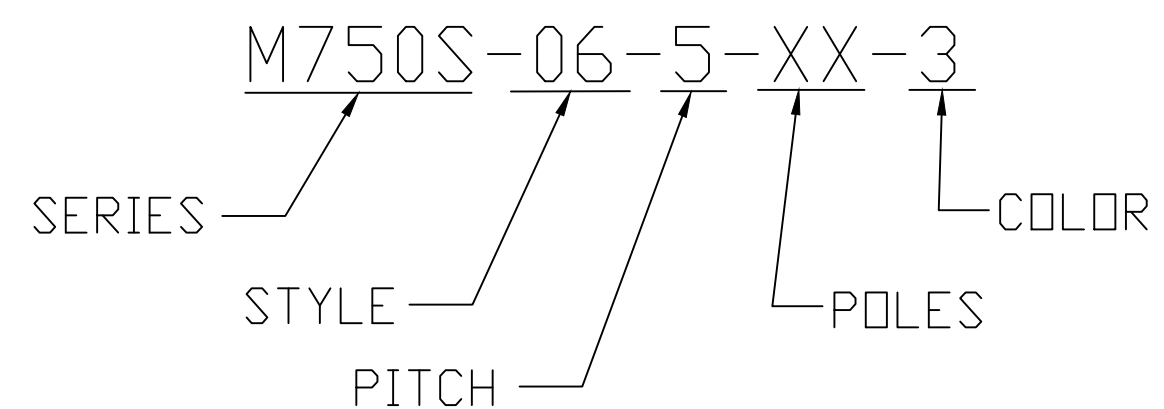


PART NUMBER DATA							
CIRCUITS	PART NUMBER	ENGINEERING NUMBER	COLOR	A IN mm		B IN mm	
2	397300002	M750S-06-5-02-3	GREEN	.53	13.4	.300	7.62
3	397300003	M750S-06-5-03-3	GREEN	.83	21.1	.600	15.24
4	397300004	M750S-06-5-04-3	GREEN	1.13	28.7	.900	22.86
5	397300005	M750S-06-5-05-3	GREEN	1.43	36.3	1.200	30.48
6	397300006	M750S-06-5-06-3	GREEN	1.73	43.9	1.500	38.10
7	397300007	M750S-06-5-07-3	GREEN	2.03	51.5	1.800	45.72
8	397300008	M750S-06-5-08-3	GREEN	2.33	59.2	2.100	53.34
9	397300009	M750S-06-5-09-3	GREEN	2.63	66.8	2.400	60.96
10	397300010	M750S-06-5-10-3	GREEN	2.93	74.4	2.700	68.58
11	397300011	M750S-06-5-11-3	GREEN	3.23	82.0	3.000	76.20
12	397300012	M750S-06-5-12-3	GREEN	3.53	89.6	3.300	83.82

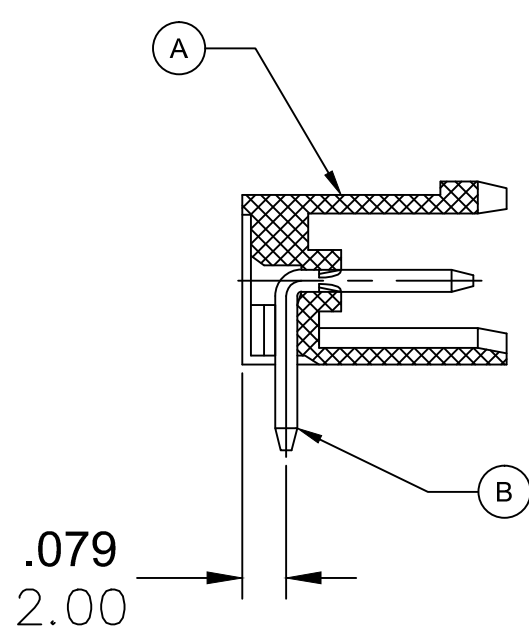
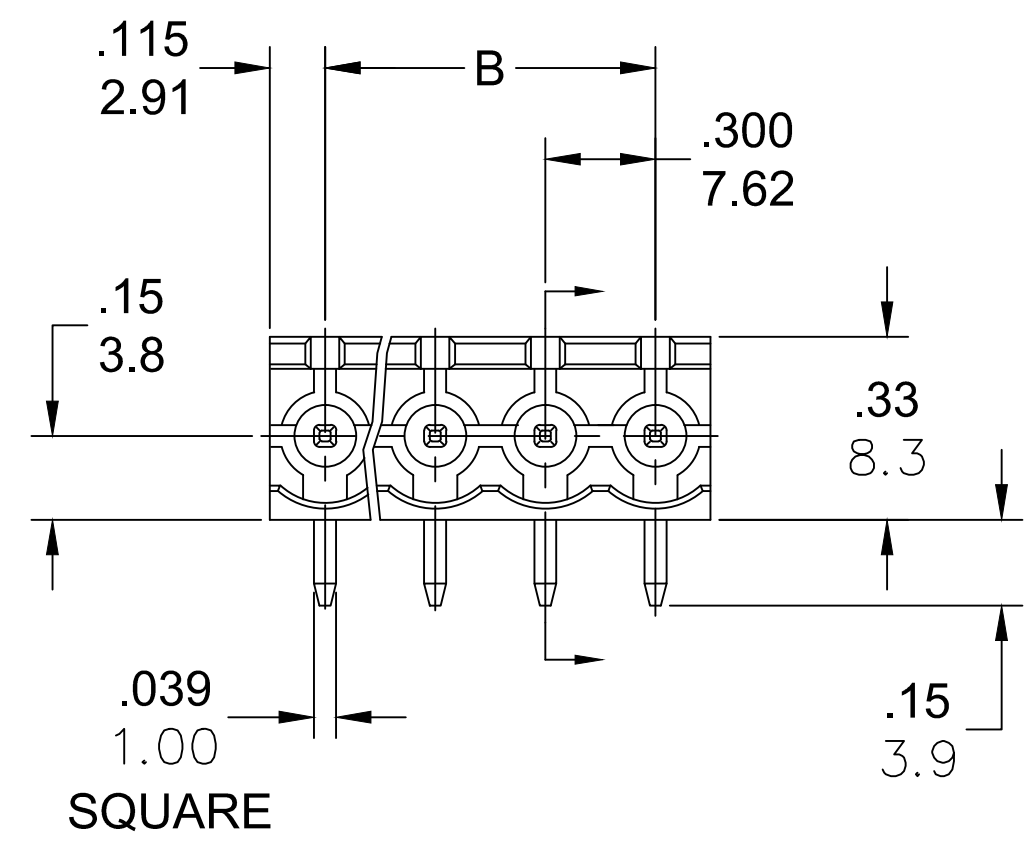
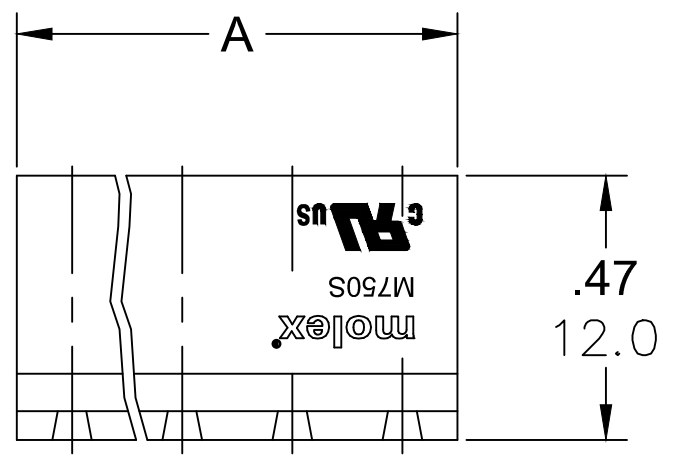
REF. LAST 2 DIGITS OF PART NUMBER EQUALS NUMBER OF POLES

ENGINEERING NUMBER LEGEND

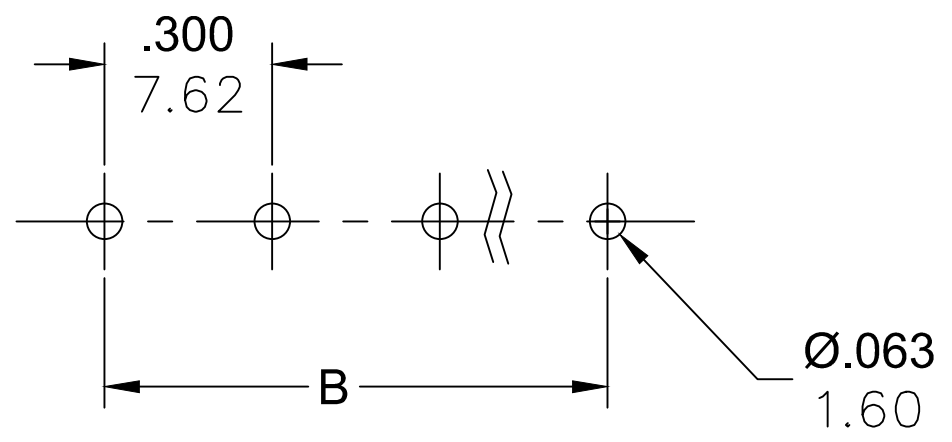


CONTACT FACTORY FOR OPTIONAL COLORS

TOLERANCES			
MM	TOL	INCH	TOL
0-6	±0.25	0-.24	±.010
>6-30	±0.40	.24-1.18	±.016
>30-120	±0.50	1.18-4.76	±.020
>120	±0.80	>4.76	±.031



PCB LAYOUT



SPECIFICATIONS:

- MATERIAL:
  - A. BODY: PA66, UL94 V-0
  - B. TERMINAL: BRASS, TIN PLATED
- RATING: 15A AT 51-150V, 10A AT 151-300V
- OPERATING TEMPERATURE: -40°C + 105°C
- DIELECTRIC VOLTAGE WITHSTAND: AC 2500V FOR 1 MINUTE
- INSULATION RESISTANCE: DC 500V, 500MΩ
- RATED IMPULSE VOLTAGE: 4000V, PLUS AND MINUS 5 TIMES EACH
- MAX SOLDERING TEMP: 260°C (500°F) FOR 5 SECONDS
- DIMS SHOWN ARE FOR REFERENCE ONLY

REVISED DOC TOL EC NO.: IPG2017-0881 DRWN: ABENJAMI 4/6/17 CHKD: --- APPR: BRUPERT 2014/10/16 REV: A1	QUALITY SYMBOL ▽=0 ▽C=0	GENERAL TOLERANCES (UNLESS SPECIFIED) <table border="1"> <tr><th></th><th>mm</th><th>INCH</th></tr> <tr><td>4 PLACES</td><td>±---</td><td>±---</td></tr> <tr><td>3 PLACES</td><td>±---</td><td>±---</td></tr> <tr><td>2 PLACES</td><td>±---</td><td>±---</td></tr> <tr><td>1 PLACE</td><td>±---</td><td>±---</td></tr> </table>		mm	INCH	4 PLACES	±---	±---	3 PLACES	±---	±---	2 PLACES	±---	±---	1 PLACE	±---	±---	DIMENSION STYLE IN/MM DRAWN BY: RSTONE DATE: 2014/03/21 CHECKED BY: G FARNSW DATE: --- APPROVED BY: JFMURPHY DATE: 2014/10/16	SCALE: --- DESIGN UNITS: METRIC THIRD ANGLE PROJECTION
		mm	INCH																
	4 PLACES	±---	±---																
	3 PLACES	±---	±---																
2 PLACES	±---	±---																	
1 PLACE	±---	±---																	
DRAFT WHERE APPLICABLE MUST REMAIN WITHIN DIMENSIONS		MATERIAL NO.: SEE CHART SIZE: C	TITLE: 7.62MM EURO HEADER HORIZONTAL OPEN ENDS MOLEX INCORPORATED DOCUMENT NO.: SD-39730-001 SHEET NO.: 1 OF 1																
THIS DRAWING CONTAINS INFORMATION THAT IS PROPRIETARY TO MOLEX INCORPORATED AND SHOULD NOT BE USED WITHOUT WRITTEN PERMISSION																			
REV DESCRIPTION																			