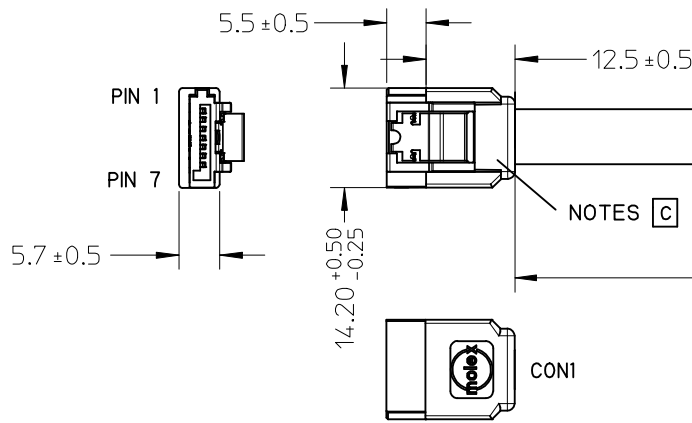
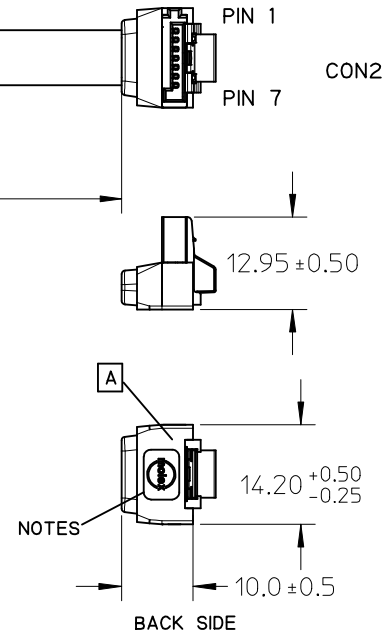
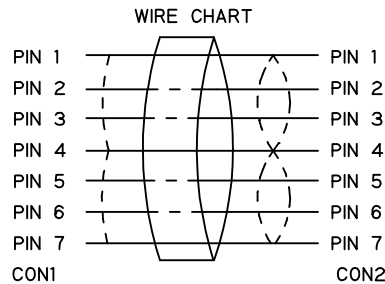


REVISION

EC NO.	DATE	REV.	DESCRIPTION	CHANGER
CY11-6493	2011/04/13	G	CHANGE CABLE	ZLLI



- NOTE:
- 1: OUTER MOLD WITH BLACK PVC RESIN  
INNER MOLD WITH PE RESIN  
ELECTRICAL PERFORMANCE:
  2. DIELECTRONIC STRENGTH:500V DC/0.01S
  3. INSULATION RESISTANCE:100M OHMS MIN.
  4. CONDUCTIVE RESISTOR: 2 OHMS MAX.
  5. THIS PRODUCT MECHANICAL AND ELECTRICAL PERFORMANCE REFER TO SATA INDUSTRIAL STANDARD.



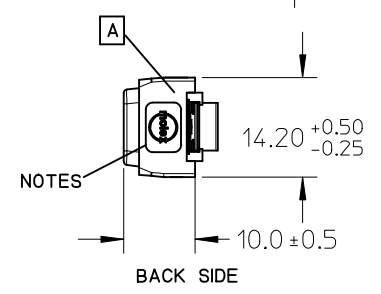
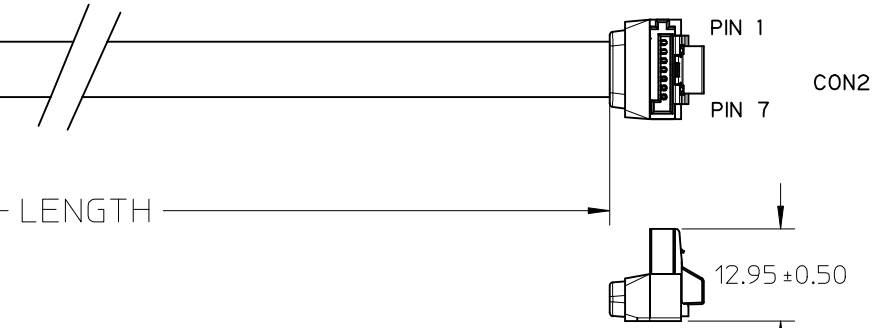
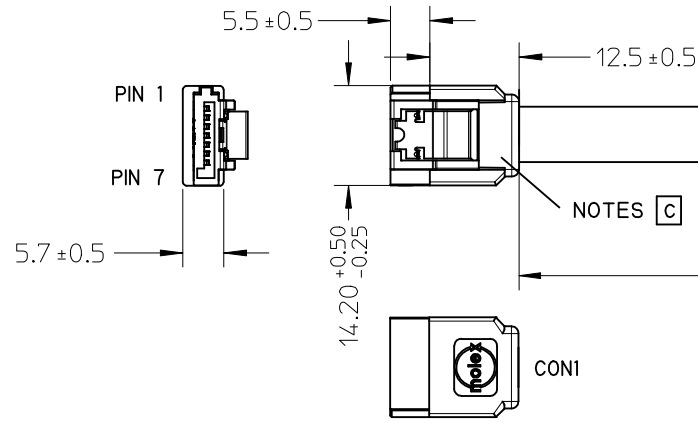
MOLEX P/N	LENGTH (mm)	LENGTH (inch)	DESCRIPTION
685610017	1000+/-20	40.0+/-0.8	S-ATA LATCHING STRAIGHT TO R/A CABLE. RED
685610016	500+/-10	20.0+/-0.4	S-ATA LATCHING STRAIGHT TO R/A CABLE. RED

ITEM	DESCRIPTION	L	QTY.
C	S-ATA STRAIGHT CONN.		1
B	2PX26AWG;SHLD:PVC;RD:2.2X7.6MM;SATA 1.0	SEE TABLE	1
A	S-ATA R/A CONN.		1

ENTER DESCRIPTION EC NO: CPG2014-3242 DRWN: XJGU001 CHKD: ZLLI APPR: FNIE	QUALITY SYMBOLS ▽=0 ▽=0	GENERAL TOLERANCES (UNLESS SPECIFIED)		DIMENSION STYLE MM ONLY		SCALE	DESIGN UNITS METRIC	THIRD ANGLE PROJECTION			
		4 PLACES ±--- ±--- 3 PLACES ±--- ±--- 2 PLACES ±--- ±--- 1 PLACE ±--- ±---		DRAWN BY JLIU13		DATE 2005/04/04		TITLE S-ATA STRAIGHT LATCHING TO R/A LATCHING SIGNAL CBL RED.0.5M,1.0M			
		ANGULAR ±---°		CHECKED BY TEDDY		DATE 2005/04/04		APPROVED BY BORON		DATE 2005/04/04	
		DRAFT WHERE APPLICABLE MUST REMAIN WITHIN DIMENSIONS		MATERIAL NO. 685610016		DOCUMENT NO. SD-68561-0016		SHEET NO. 1 OF 1			

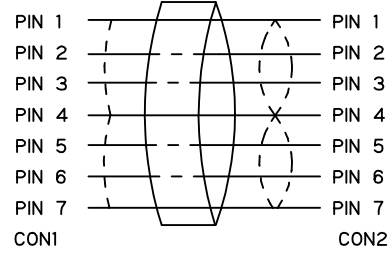
7 6 5 4 3 2 1

REVISION				
EC NO.	DATE	REV.	DESCRIPTION	CHANGER
CY11-6493	2011/04/13	G	CHANGE CABLE	ZLLI
CY15-5216	2014/08/26	H	CHANGE CABLE	LUCY



BACK SIDE

WIRE CHART



- NOTE:
- 1: OUTER MOLD WITH BLACK PVC RESIN  
INNER MOLD WITH PE RESIN  
ELECTRICAL PERFORMANCE:  
DIELECTRONIC STRENGTH:500V DC/0.01S
  - 2: DIELECTRONIC STRENGTH:500V DC/0.01S
  - 3: INSULATION RESISTANCE:100M OHMS MIN.
  - 4: CONDUCTIVE RESISTOR: 2 OHMS MAX.
  - 5: THIS PRODUCT MECHANICAL AND ELECTRICAL PERFORMANCE REFER TO SATA INDUSTRIAL STANDARD.

MOLEX P/N	LENGTH (mm)	LENGTH (inch)	DESCRIPTION
685610017	1000+/-20	40.0+/-0.8	S-ATA LATCHING STRAIGHT TO R/A CABLE, RED
685610016	500+/-10	20.0+/-0.4	S-ATA LATCHING STRAIGHT TO R/A CABLE, RED

C	S-ATA STRAIGHT CONN.	1	
B	2PX26AWG;SHLD;PVC;RD;2.2X7.6MM;SATA 1.0	SEE TABLE	
A	S-ATA R/A CONN.	1	
ITEM	DESCRIPTION	L	QTY.

ENTER DESCRIPTION EC NO: CPG2015-1374 DRWN: JXIA004 CHKD: LUCY APPR: FNIE	QUALITY SYMBOLS ▽=0 ◻=0	GENERAL TOLERANCES (UNLESS SPECIFIED)		DIMENSION STYLE MM ONLY		SCALE ---	DESIGN UNITS METRIC	THIRD ANGLE PROJECTION	
				DRAWN BY GX YANG	DATE 04/08/10	TITLE S-ATA STRAIGHT LATCHING TO R/A LATCHING SIGNAL CBL RED.0.5M,1.0M			
				CHECKED BY TEDDY	DATE 04/08/10	APPROVED BY BORON			
				APPROVED BY BORON		DATE 04/08/10	MOLEX INCORPORATED		
DRAFT WHERE APPLICABLE MUST REMAIN WITHIN DIMENSIONS		MATERIAL NO. 685610016/7		DOCUMENT NO. SD-68561-002		SHEET NO. 1 OF 1			

6 5 4 3 2 1