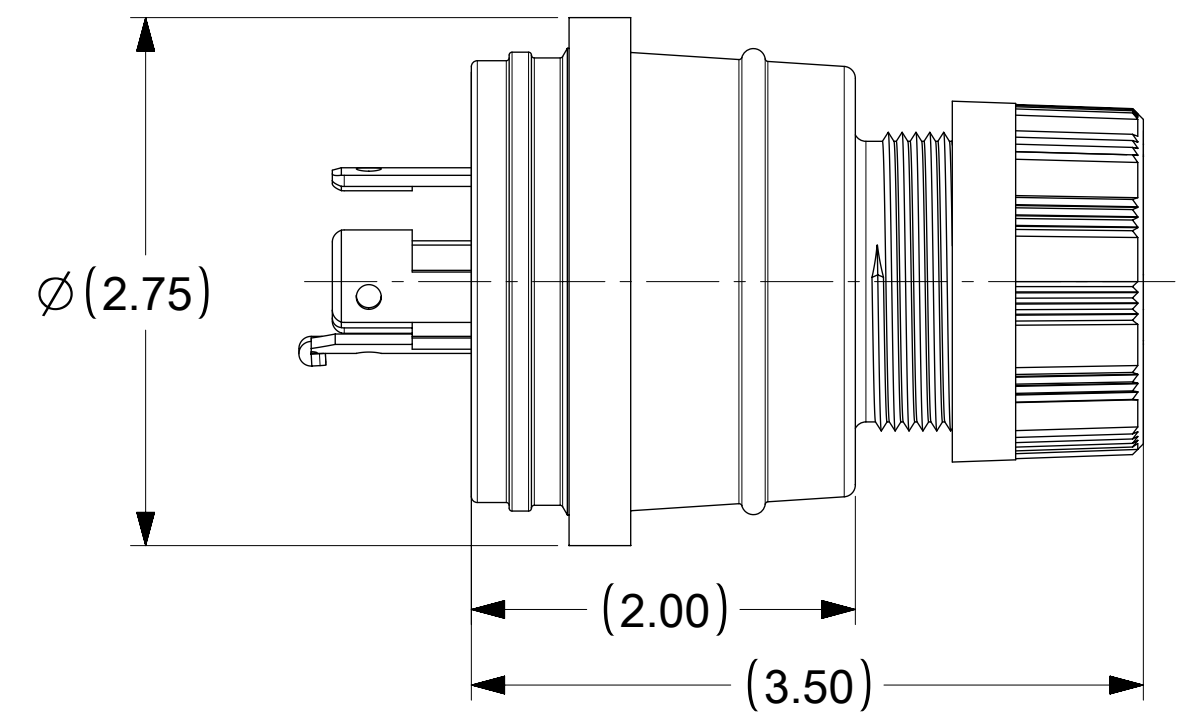
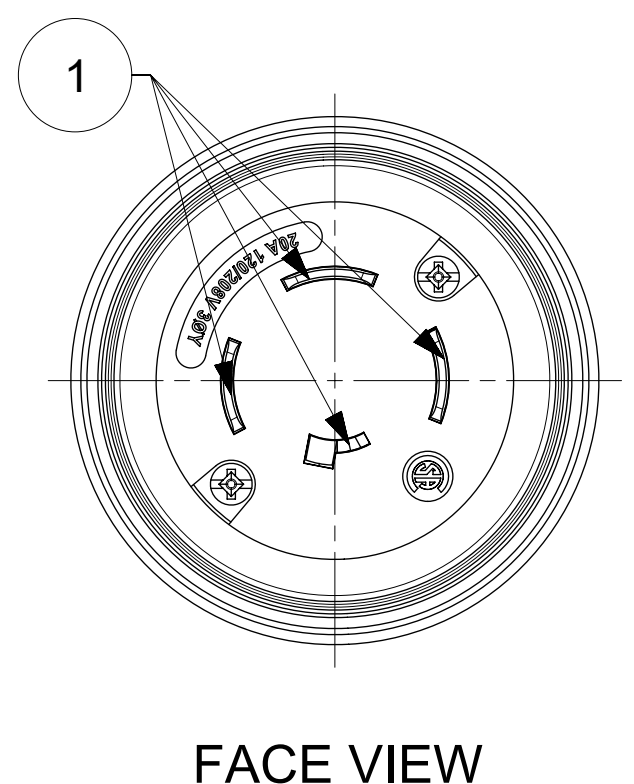
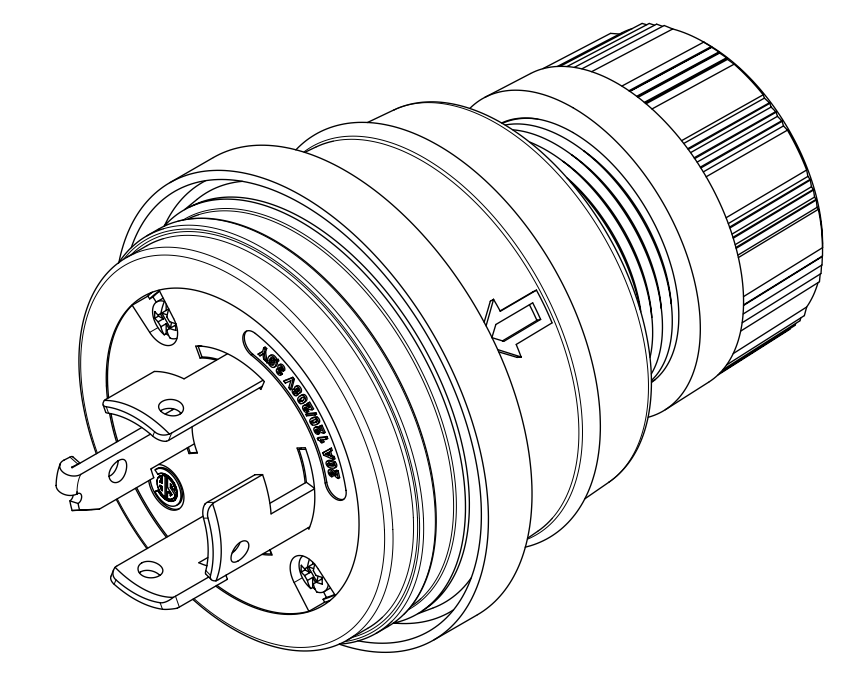
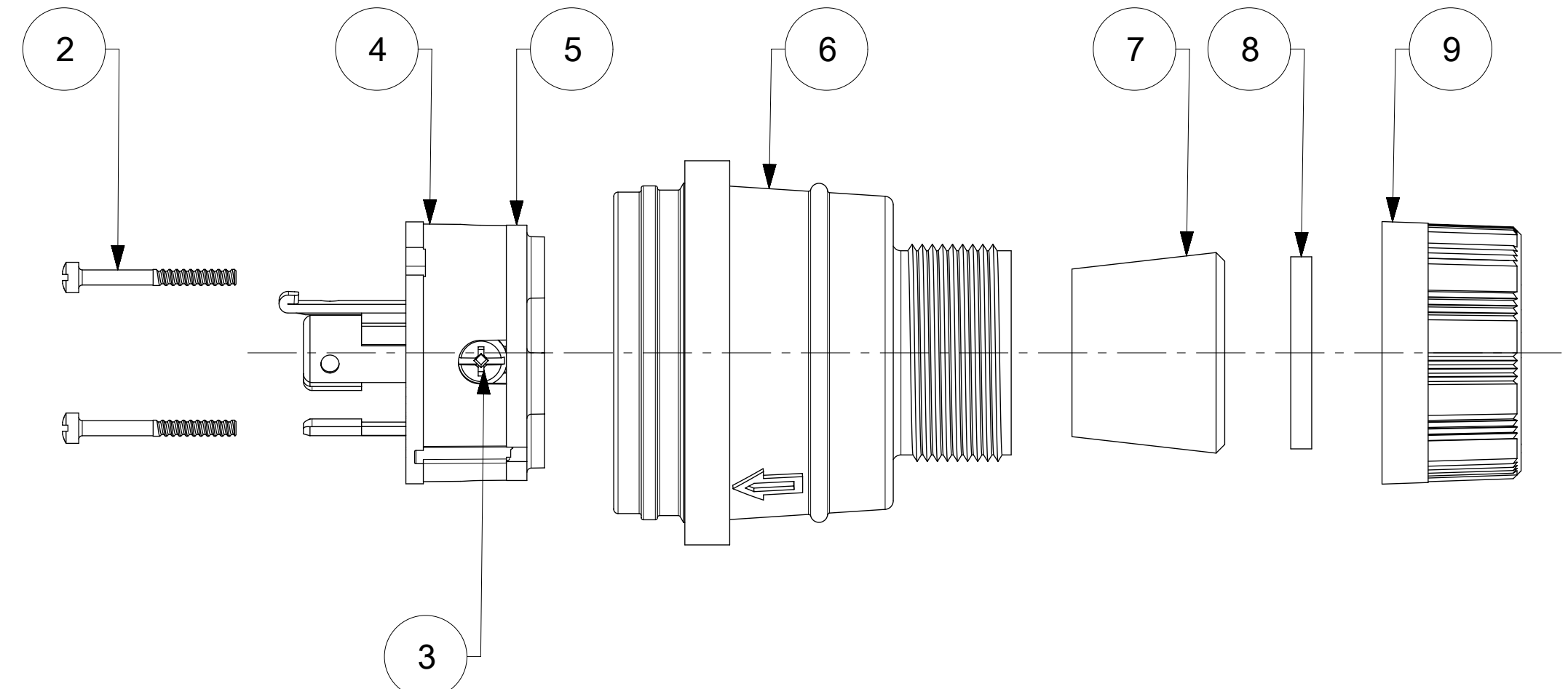


ORDER NO.	WOODHEAD NO.	COLOR
130147-0222	26W09-P	YELLOW



ITEM NO.	DESCRIPTIONS	MATERIAL	QTY.
1	BLADE	BRASS, NICKEL PLATED	4
2	RETAINING SCREWS	STAINLESS STEEL	2
3	CLAMP AND TERMINAL SCREW ASSY	BRASS, ZINC PLATED	4
4	INSERT	NYLON	1
5	TERMINAL COVER	POLYCARBONATE	1
6	HOUSING	SILICON WITH NYLON THREAD	1
7	GROMMET	RUBBER	1
8	FRICTION RING	NYLON	1
9	COMPRESSION NUT	NYLON	1

SYMBOLS				THIS DRAWING CONTAINS INFORMATION THAT IS PROPRIETARY TO MOLEX ELECTRONIC TECHNOLOGIES, LLC AND SHOULD NOT BE USED WITHOUT WRITTEN PERMISSION			
▽ = 0	▽ = 0	▽ = 0	▽ = 0	DIMENSION UNITS	SCALE	CURRENT REV DESC: RELEASED	
▽ = 0	▽ = 0	▽ = 0	▽ = 0	INCH	NTS	molex	
▽ = 0	▽ = 0	▽ = 0	▽ = 0	GENERAL TOLERANCES (UNLESS SPECIFIED)		WATERTITE PLUG TURNEX 4P4W NON-NEMA	
▽ = 0	▽ = 0	▽ = 0	▽ = 0	ANGULAR TOL ± °		PRODUCT CUSTOMER DRAWING	
▽ = 0	▽ = 0	▽ = 0	▽ = 0	4 PLACES ±		DOCUMENT NUMBER	
▽ = 0	▽ = 0	▽ = 0	▽ = 0	3 PLACES ±		1301470222	
▽ = 0	▽ = 0	▽ = 0	▽ = 0	2 PLACES ±		DOC TYPE DOC PART REVISION	
▽ = 0	▽ = 0	▽ = 0	▽ = 0	1 PLACE ±		PSD 000 A	
▽ = 0	▽ = 0	▽ = 0	▽ = 0	0 PLACES ±		MATERIAL NUMBER CUSTOMER SHEET NUMBER	
▽ = 0	▽ = 0	▽ = 0	▽ = 0	DRAFT WHERE APPLICABLE MUST REMAIN WITHIN DIMENSIONS		SEE TABLE GENERAL MARKET 1 OF 1	
▽ = 0	▽ = 0	▽ = 0	▽ = 0	THIRD ANGLE PROJECTION	DRAWING	SERIES	
▽ = 0	▽ = 0	▽ = 0	▽ = 0		C-SIZE	130147	