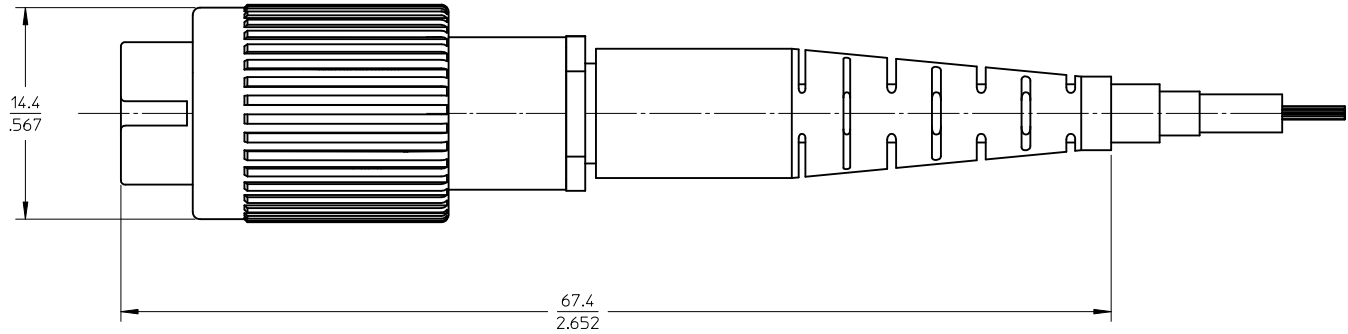
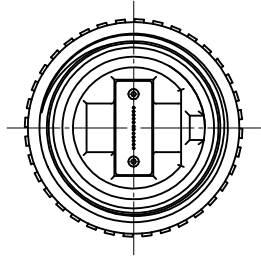
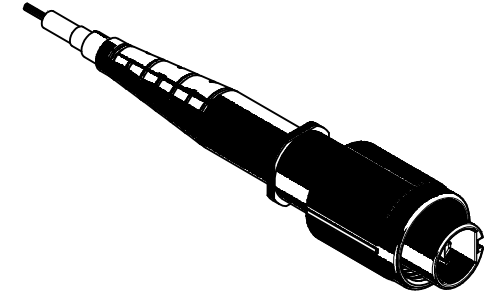


PART NUMBER	VERSION
1065031200	MM
1065031300	SM



NOTES:

1. ALL DIMENSIONS ARE FOR REFERENCE ONLY.
2. DUST CAP NOT SHOWN.

ENTER DESCRIPTION EC NO: MF2011-0511 DRWN:SM1GO 2011/05/24 CHKD:VCHEN 2011/05/25 APPR:WCHEN 2011/05/31	DESCRIPTION REV A	QUALITY SYMBOLS	GENERAL TOLERANCES (UNLESS SPECIFIED) 4 PLACES ± --- ± --- 3 PLACES ± --- ± --- 2 PLACES ± --- ± --- 1 PLACE ± --- ± --- ANGULAR ±1/2°	DIMENSION STYLE	SCALE	DESIGN UNITS	THIRD ANGLE PROJECTION
		MM/IN		3:1	INCH		
		DRAWN BY		DATE	TITLE		
		SM1GO		2011/05/24	MAE BRANCH CONNECTOR MT 12 FIBER FERRULE		
		APPROVED BY	DATE	MATERIAL NO.		DOCUMENT NO.	
		VCHEN	2011/05/25	WCHEN		2011/05/31	
		SEE TABLE		MOLEX INCORPORATED		SD-106503-1200	
		DRAFT WHERE APPLICABLE MUST REMAIN WITHIN DIMENSIONS		THIS DRAWING CONTAINS INFORMATION THAT IS PROPRIETARY TO MOLEX INCORPORATED AND SHOULD NOT BE USED WITHOUT WRITTEN PERMISSION		SHEET NO. 1 OF 1	