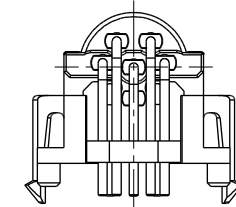
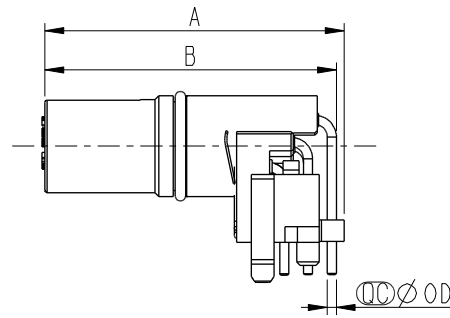
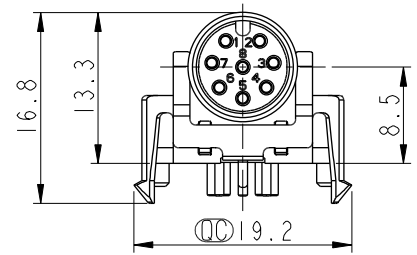
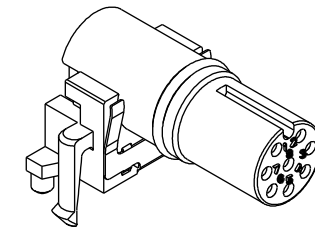
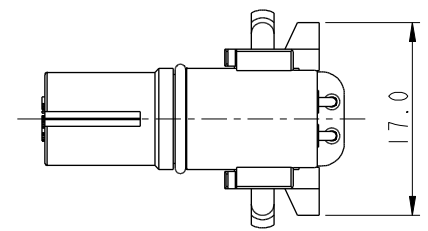


THIS DOCUMENT IS SUBJECT TO CHANGE WITHOUT NOTICE. IT IS CONFIDENTIAL AND A PROPERTY OF Amphenol LTW. DISCLOSURE TO THIRD PARTY HAS TO BE AUTHORIZED BY Amphenol LTW.

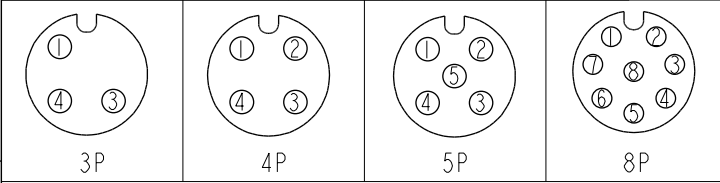
REV.	ECN NO.	DATE	SIGN	DESCRIPTION
A	-	2022-03-02	Jiahe Lin	Rev.01 To Rev.A

MSAS-XXPFFR-EE0001

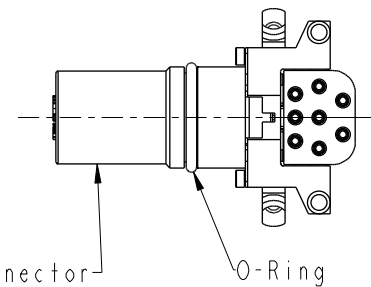
XX: No. Of Pin



MSAS-03PFFR-EE0001	26.6	25.5	1.0
MSAS-04PFFR-EE0001	26.6	25.5	1.0
MSAS-05PFFR-EE0001	26.6	25.5	1.0
MSAS-08PFFR-EE0001	26.4	25.7	0.8
Item No.	A	B	OD



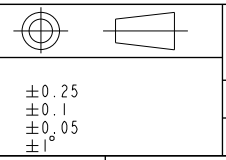
Pin Assignment Front View



Note:

- * RoHS Compliant
- * \varnothing Important dimension
- * Waterproof rate: Non-Waterproof
- * Connector
- Housing: Thermoplastic, Black
- Pin: Copper alloy, Gold plated
- O-Ring: Rubber, Gray
- * For pcb thickness max: 1.6mm

UNIT: mm	
TOLERANCE	
.X	±0.25
.XX	±0.1
.XXX	±0.05
ANGLES	±1°



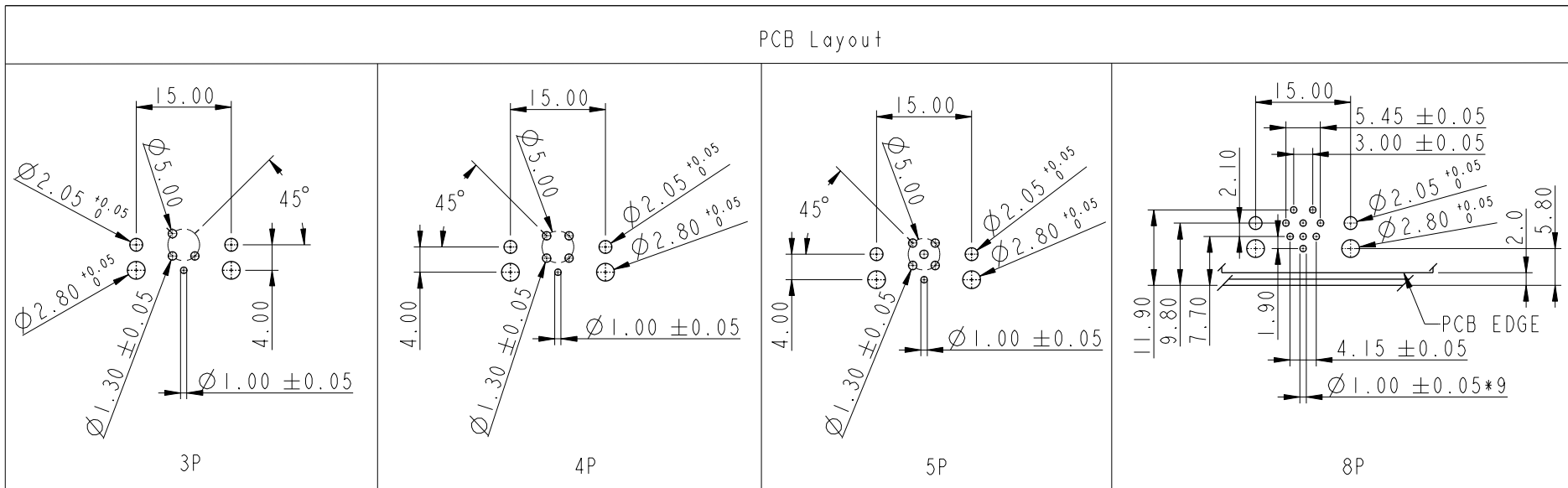
TITLE N SEN, M12 A -SHLD, RECEPTACLE, F, F, PCB R			
SCALE 3:2	SIZE A4	SHEET 1 OF 2	
REV. A	WC-REV. A.3	\varnothing : Inspection item	

Amphenol LTW
安費諾亮泰企業股份有限公司

ITEM NO.	DRAWN BY Jiahe Lin	DATE 2022-03-02
DWG NO. MSAS-XXPFFR-EE0001	CHECKED BY Allen Pan	DATE 2022-03-02
CUSTOMER ALTW	APPROVED BY Fred Lee	DATE 2022-03-02

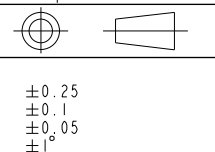
THIS DOCUMENT IS SUBJECT TO CHANGE WITHOUT NOTICE. IT IS CONFIDENTIAL AND A PROPERTY OF Amphenol LTW. DISCLOSURE TO THIRD PARTY HAS TO BE AUTHORIZED BY Amphenol LTW.

PCB Layout



UNIT: mm

TOLERANCE	
.X	±0.25
.XX	±0.1
.XXX	±0.05
ANGLES	±1°



TITLE N SEN, M12 A -SHLD, RECEPTACLE, F, F, PCB R			
SCALE	3:2	SIZE	A4
		SHEET	2 OF 2
REV.	A	WC-REV.	A.3
☉: Inspection item			

Amphenol LTW
安費諾亮泰企業股份有限公司

ITEM NO	
DWG NO	MSAS-XXPFFR-EE0001
CUSTOMER	ALTW

DRAWN BY	Jiahe Lin
CHECKED BY	Allen Pan
APPROVED BY	Fred Lee

DATE	2022-03-02
DATE	2022-03-02
DATE	2022-03-02