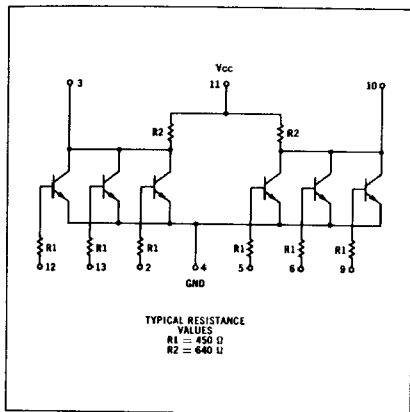


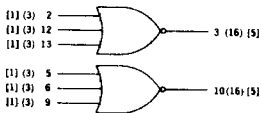
DUAL 3-INPUT GATES

PLASTIC MRTL MC700P/800P series

MC715P • MC815P



Two 3-input positive logic NOR gates in a single package. Each may be used independently, paralleled for increasing the number of inputs (subject to loading rules), or cross-coupled to form bistable elements.



$3 = 2 + 12 + 13$

NUMBER IN PARENTHESES INDICATES nW MRTL LOADING FACTOR

NUMBER IN BRACKETS INDICATES MRTL LOADING FACTOR

$t_{pm} = 12 \text{ ns}$   
 $P_d = 55 \text{ mW (Input High)}$   
 $15 \text{ mW (Inputs Low)}$

SWITCHING TIMES TEST CIRCUIT AND WAVEFORMS

