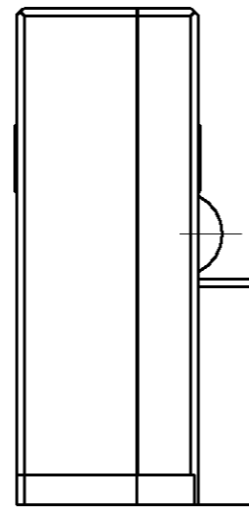
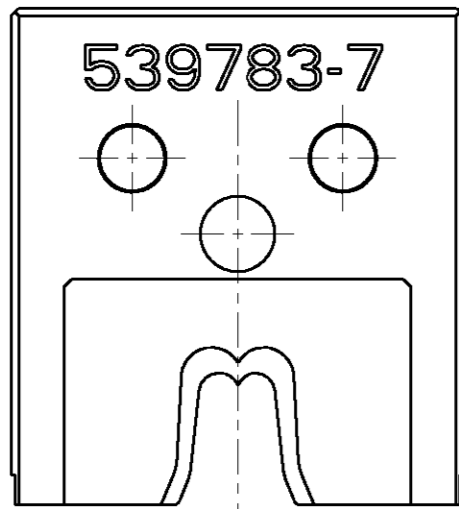


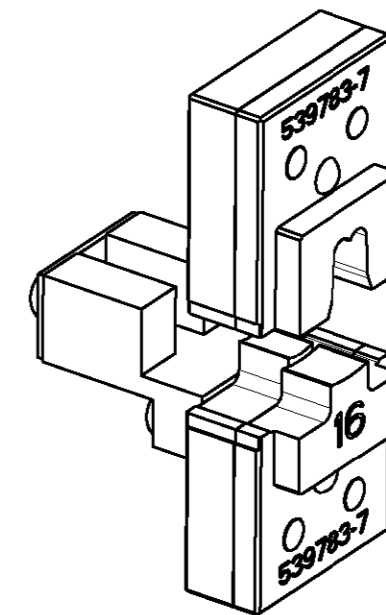
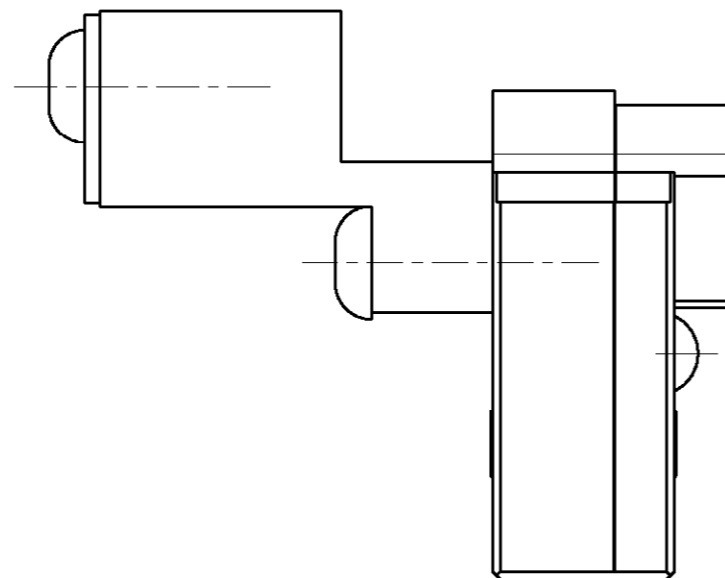
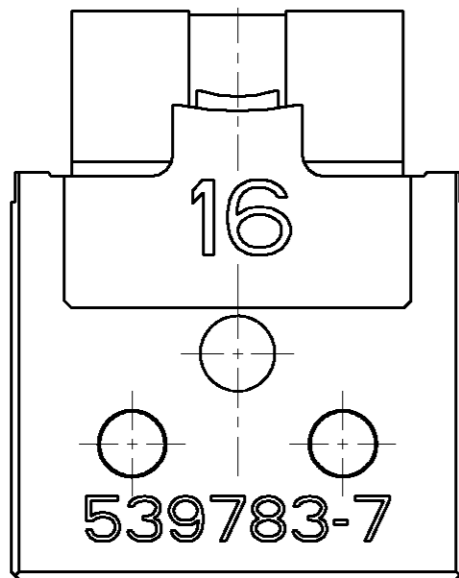
THIS DRAWING IS UNPUBLISHED. RELEASED FOR PUBLICATION 2005
 © COPYRIGHT 2005 BY TYCO ELECTRONICS CORPORATION. ALL RIGHTS RESERVED.

LOC	DIST	REVISIONS			
P	LTR	DESCRIPTION	DATE	DWN	APVD
A1	-				



DIE SET FOR MCP 9.5 mm

Use this die set with hydraulic hand tool PN 539783-1



1:1

Kontakt	AWG (mm ²)	Drahtcrimp / Wire Crimp		Isolationscrimp/Insulationcrimp		Isol.Ømm	Betriebsanl.
Contact	Wire Range	Hoehe/Height mm	Breite/Width mm	Hoehe/Height mm	Breite/Width mm	Ins.Range	Instr.Sheet
929151	16	4,38 ±0,05	6,35 F	-----	8,63 F	7,1-8,1	-----

Weight: 200 g

THIS DRAWING IS A CONTROLLED DOCUMENT FOR TYCO ELECTRONICS CORPORATION
 IT IS SUBJECT TO CHANGE AND THE CONTROLLING ENGINEERING ORGANIZATION
 SHOULD BE CONTACTED FOR THE LATEST REVISION.

DWN	Ch.Witt	31JAN2006	tyco tyco Electronics AMP GmbH	
CHK	-	-	Electronics D - 64625 Bensheim	
APVD	-	-	NAME	
PRODUCT SPEC	-	-	DIE SET FOR MCP 9.5 / 16 mm ²	
APPLICATION SPEC	-	-	Matrize fuer MCP 9.5 / 16 mm ²	
WEIGHT	-	-	SIZE	RESTRICTED TO
			A 3	-
			CAGE CODE	
			00779	
			DRAWING NO	
			©=539783-7	
CUSTOMER DRAWING			SCALE	REV
			2:1	A
			SHEET	
			1	
			OF	
			1	