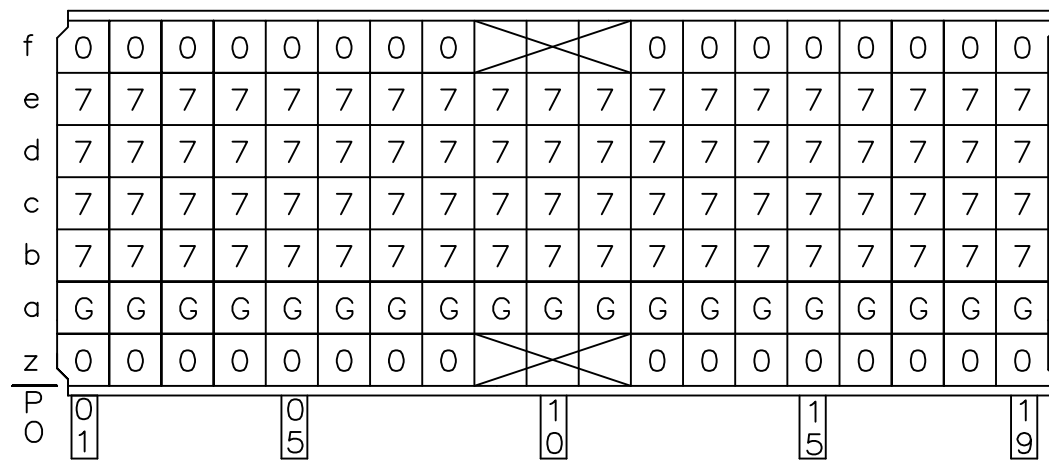
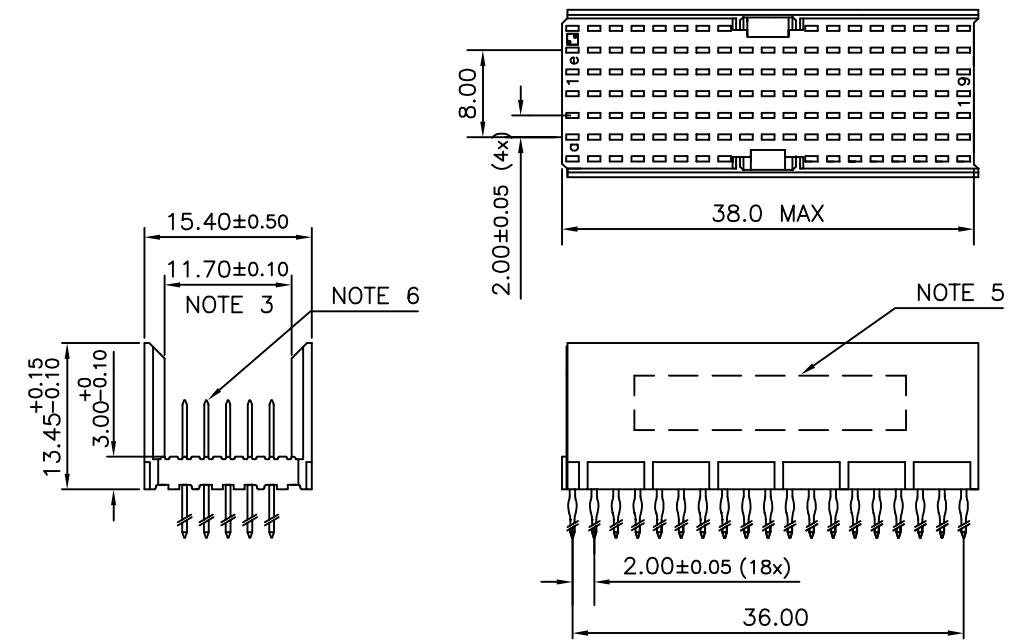


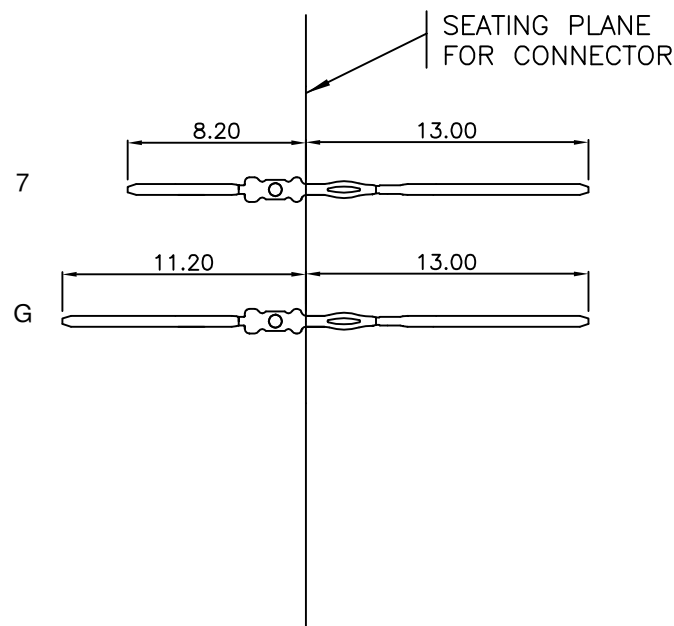
LOADING PATTERN MATING SIDE



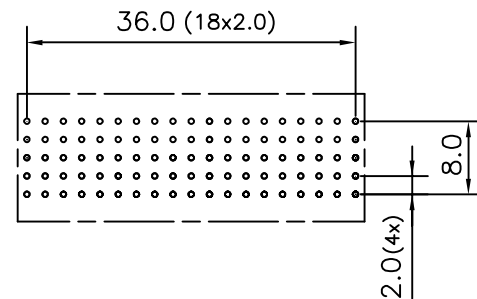
LOADED CONNECTOR ASSEMBLY (FOR EXAMPLE)



CONTACT OVERVIEW



LAY-OUT P.C.B.-HOLE



HM2P67PKA3A0 LEAD FREE INDICATOR : LF = LEAD FREE (DIGIT 15 & 16)  
PLATING CODE (DIGIT 13 AND 14)  
(REF DRW NO. BS,C , 201844 , 003)

NOTES

1. THIS PRODUCT IS CSA APPROVED.
2. THIS PRODUCT IS UL RECOGNIZED.
3. MEASURED AT THE BOTTOM.
4. MATERIAL CONTACT: PHOSPHORBRONZE  
HOUSING: CREAM WHITE GLASS FILLED POLYESTER UL-94V0
5. CONNECTOR PRINTED WITH P/N AND DATE CODE.
6. FOR ACTUAL CONTACT LOADINGS, SEE LOADING PATTERN MATING SIDE.
7. SHAPE OF CONNECTOR HOUSING CAN ALTER DEPENDING ON PRODUCTION LOCATION
8. THE PRODUCT (LF) MEETS EUROPEAN UNION DIRECTIVES AND OTHER COUNTRY REGULATIONS AS DESCRIBED IN GS-22-008
9. FOR RECOMMENDED PTH DIMENSIONS REFER DRAWING : BS, A , 201572 , 001

CATALOG NO: HM2P67PKA3A0- - -

mat'l. code SEE NOTE 4				surface ISO 1302 ✓		tolerance ISO 406 ISO 1101		projection MM		product family MLLIPACS			
ltr				ecn no		dr		date		tolerances unless otherwise specified		title	
A				I03-0066		MINI		2003/ 11/ 14		angles		MPACS 5+2R STR HDR PF CONN TYPE AB 19 POS.	
B				I05-0183		MINI		2005/ 10/ 08		linear			
C				I06-0077		MINI		2006/ 06/ 24		0°±1°			
								dr		MINI K VANDANATH		2003/ 11/ 14	
								enr		BIJU K PAUL		2003/ 11/ 14	
								chr		BIJU K PAUL		2006/ 06/ 24	
								appd		BIJU K PAUL		2006/ 06/ 24	
sheet index		revision sheet		c								sheet 1 of 1	
		1										size A3	
												type Product Customer Drawing	