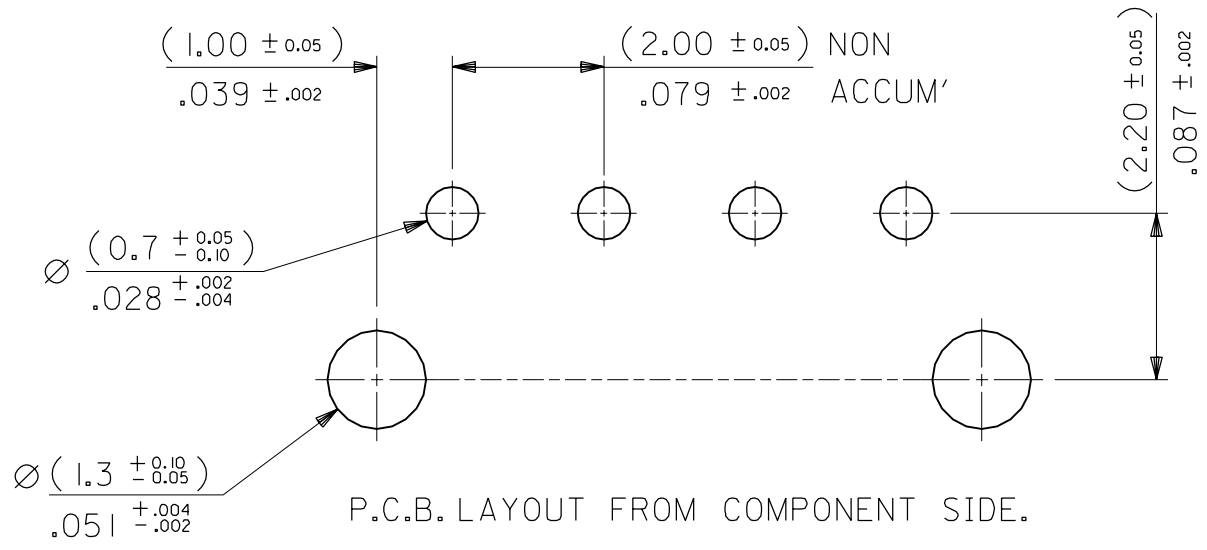
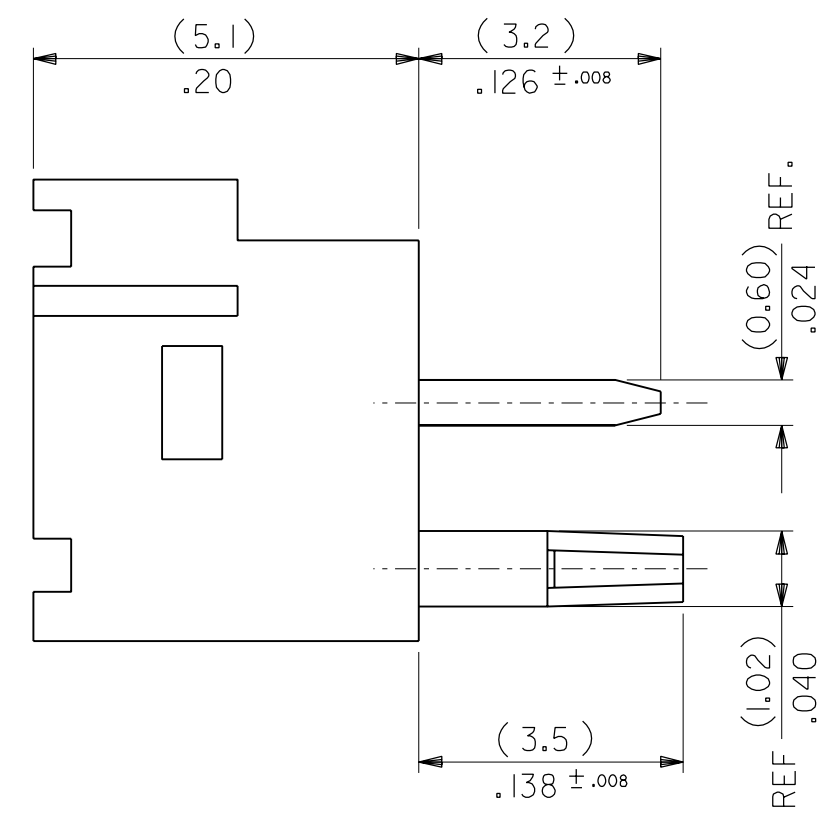
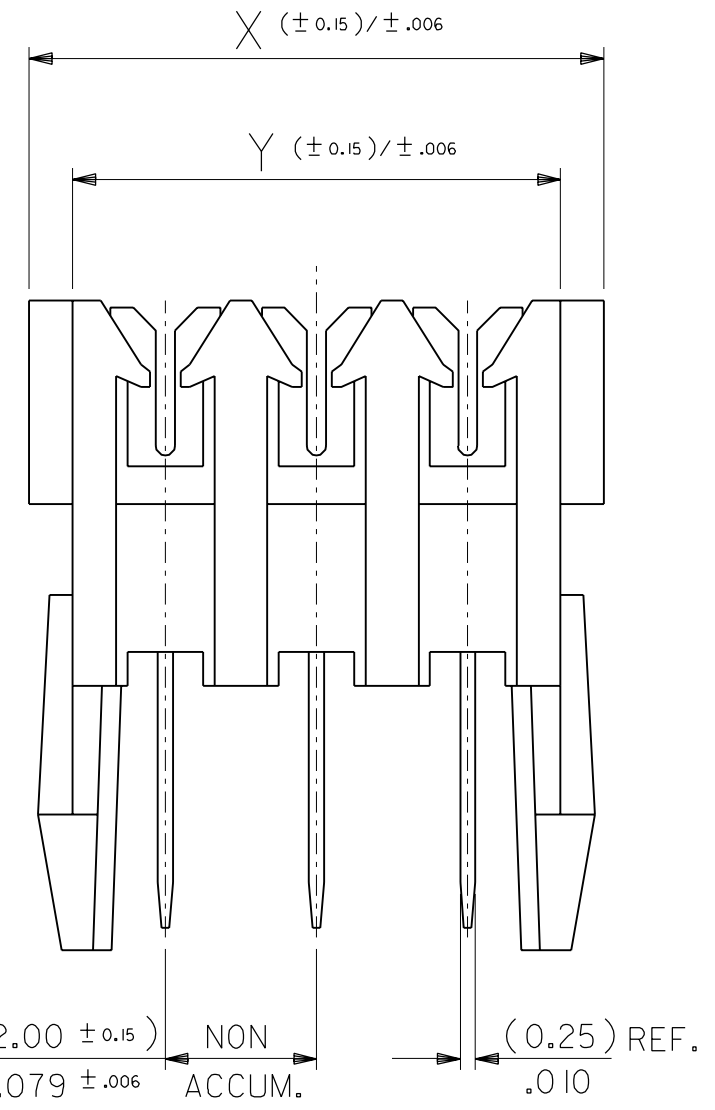
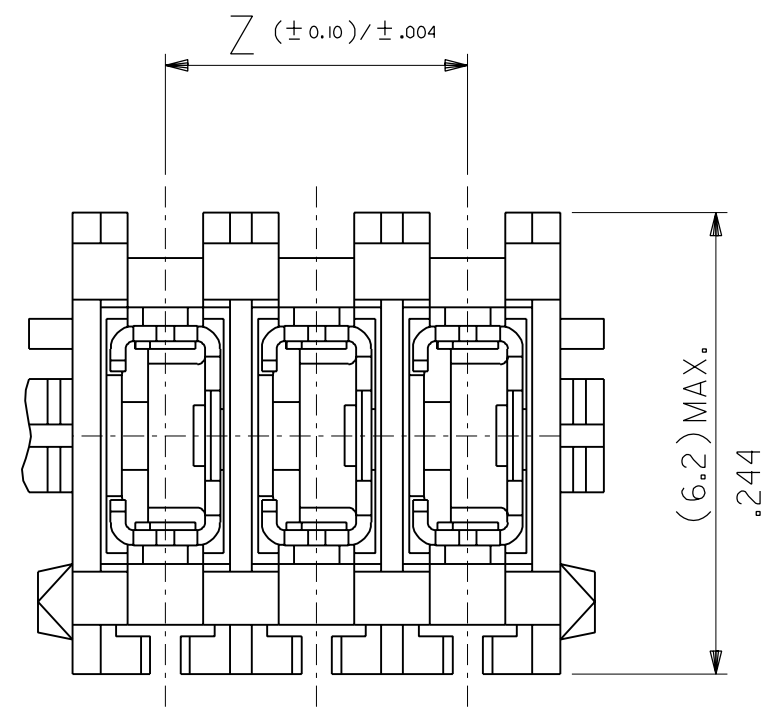


PART NO. SEE CHART
 DWG. NO. SDA-90062



- NOTES:
- MATERIAL: HOUSING - POLYESTER, 94V-0. COLOUR - WHITE. TERMINAL - PHOSPHOR BRONZE (0.20 ± 0.01) / .008 ± .0004 THICK. FINISH - PRE-TIN PLATE, HOT TIN DIP (0.005 - 0.009) / .0002 - .00035 THICK.
 - WIRE: 28 AWG, 7 STRANDS x (0.10) / .004 TOP COATED TIN. INSULATION DIA (0.8 - 1.0) / .031 - .039
 - FOR PART NUMBERS SEE SHT 2 (WITH PEGS) SHT 3 (WITHOUT PEGS)

PRE-RELEASE
 REFERENCE
 USE ONLY

FOR PREVIOUS
 DRAWING ISSUES
 SEE MRI.

LEAD FREE CONVERSION
 EC.No. E2004-0792
 DRWN: PSHEAHAN 04/02/27
 CHK: / / /
 APPR: / / /

THIRD ANGLE PROJECTION		DRWG BY NPC
DIMENSIONS SHOWN (METRIC) INCH UNLESS OTHERWISE SPECIFIED TOLERANCES: ANGULAR ± 2° INCH (METRIC)		CHK'D BY
3 PLACE ± .		APP'D BY
2 PLACE ± .008 ±		SCALE 10:1
1 PLACE ± 0.20		
DRAFT WHERE APPLICABLE MUST REMAIN WITHIN DIMENSIONS		
DESIGN DIMENSION (PRIMARY)	<input checked="" type="checkbox"/> (MM) <input type="checkbox"/> IN.	
EQUIVALENT DIMENSION (SECONDARY)	<input type="checkbox"/> (MM) <input checked="" type="checkbox"/> IN.	

REVISE ONLY ON CAD SYSTEM		SH. REV.
CADCAM FILENAME SA90062X1 DCN	THIS DRAWING CONTAINS INFORMATION THAT IS PROPRIETARY TO MOLEX INC. & SHOULD NOT BE USED WITHOUT WRITTEN PERMISSION	
TITLE 2mm PITCH ASSEMBLY BOARD-IN CONNECTOR		
MOLEX MOLEX EUROPE		SHEET NO. DATE 10F2 4/12/87
PART NO. SEE CHART	DWG NO. SDA-90062	SIZE B

PART NO.	ENG. NO.	CIRCUIT SIZE	DIMENSION □	DIMENSION ㊦	DIMENSION ㊧	HSG STICK
TOOLED	90062-0013	2	(5.60)/ .220	(4.45)/ .175	(2.00)/ .079	噠
↑	↑	-0014	(7.60)/ .299	(6.45)/ .253	(4.00)/ .157	嗽
		-0015	(9.60)/ .378	(8.45)/ .333	(6.00)/ .236	嗽
		-0016	(11.60)/ .457	(10.45)/ .411	(8.00)/ .315	噠
		-0017	(13.60)/ .535	(12.45)/ .490	(10.00)/ .394	嗽
		-0018	(15.60)/ .614	(14.45)/ .569	(12.00)/ .472	嗽
		-0019	(17.60)/ .693	(16.45)/ .648	(14.00)/ .551	嗽
		-0020	(19.60)/ .772	(18.45)/ .726	(16.00)/ .630	噠
		-0021	(21.60)/ .850	(20.45)/ .805	(18.00)/ .709	噠
↓	↓	-0022	(23.60)/ .929	(22.45)/ .884	(20.00)/ .787	噠
TOOLED	90062-0023	12	(25.60)/1.008	(24.45)/ .962	(22.00)/ .866	噠
						噠
						噠

PART NO.	DESCRIPTION.
90062-0046	90062-0019 ASSEMBLED INTO TRAY T2.

PART NO. SEE CHART
 DWG. NO. SDA-90062

FOR PREVIOUS DRAWING ISSUES SEE MRI.	D SEE SHEET I.	LTR REVISIONS	DIMENSIONS SHOWN (METRIC) INCH UNLESS OTHERWISE SPECIFIED TOLERANCES: ANGULAR ± 1/2°		DRWG BY JWP	CAD/CAM FILENAME SA90062K2 DGN		THIS DRAWING CONTAINS INFORMATION THAT IS PROPRIETARY TO MOLEX INC. & SHOULD NOT BE USED WITHOUT WRITTEN PERMISSION	
			INCH (METRIC)		CHK'D BY	TITLE 2mm PITCH ASSEMBLY BOARD-IN CONNECTOR (WITH PEGS)			
			3 PLACE ± . 2 PLACE ± . 1 PLACE ±		APP'D BY				
			DRAFT WHERE APPLICABLE MUST REMAIN WITHIN DIMENSIONS		SCALE	DESIGN DIMENSION <input checked="" type="checkbox"/> (MM) <input type="checkbox"/> IN. (PRIMARY)		SHEET NO. DATE 20F 2 / 12 / 87	
EQUIVALENT DIMENSION <input type="checkbox"/> (MM) <input checked="" type="checkbox"/> IN. (SECONDARY)		SCALE		PART NO. DWG NO. SIZE SEE CHART SDA-90062 B					

REVISE ONLY ON CAD SYSTEM SHL REV.

MOLEX EUROPE