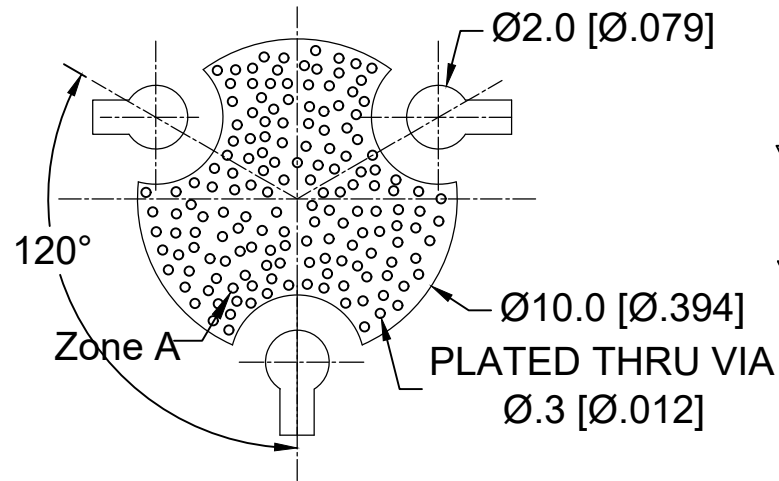
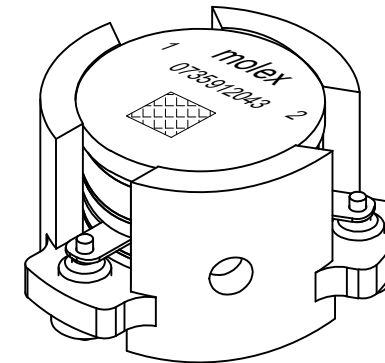
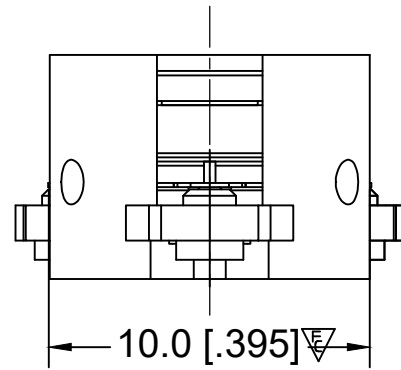
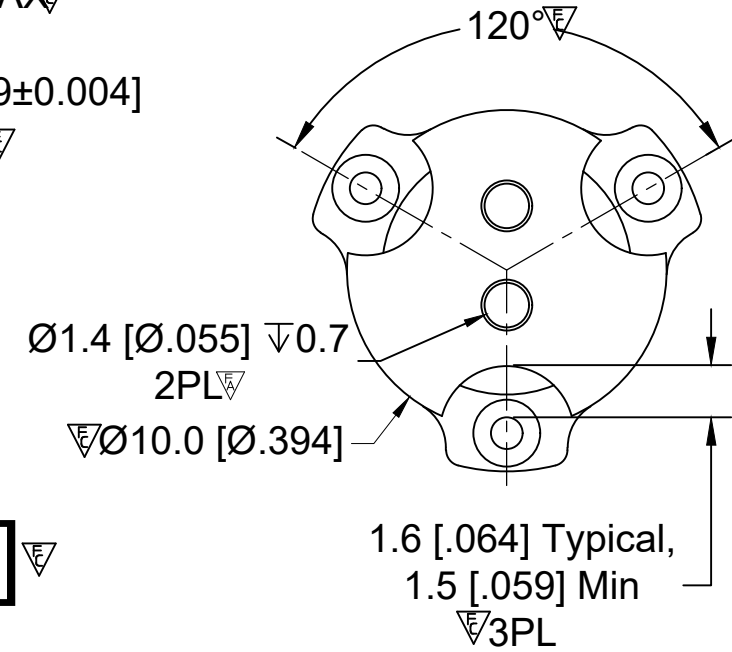
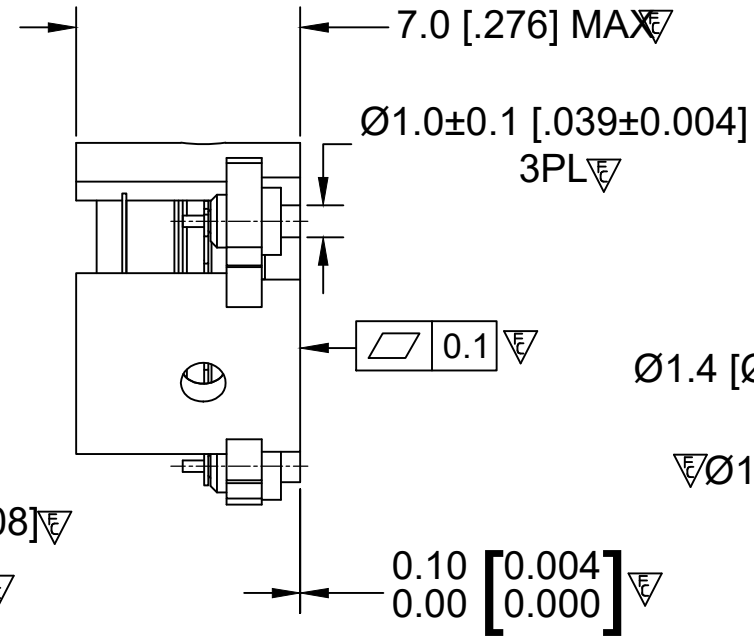
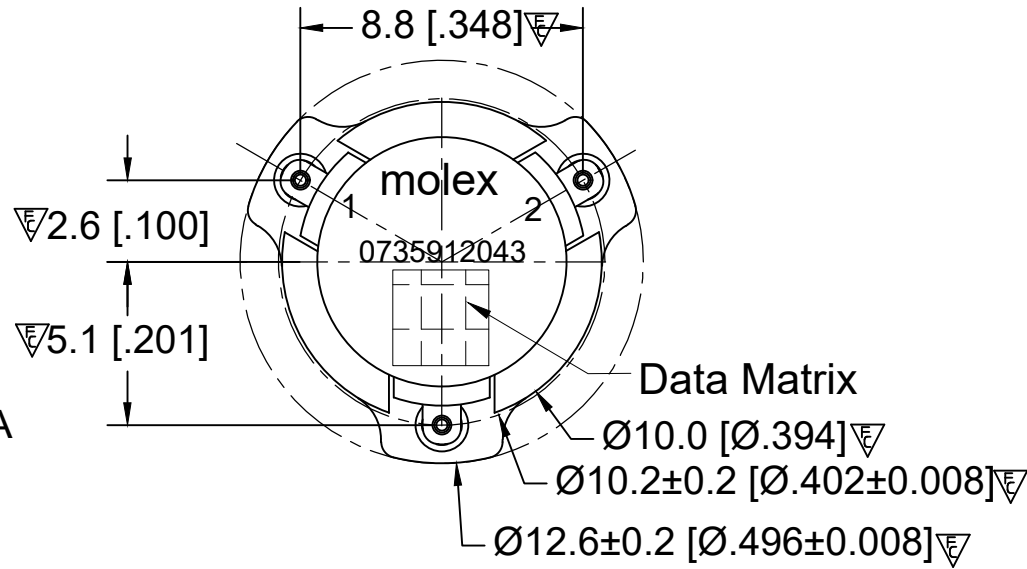


RECOMMENDED LAND PATTERN :

Zone A must be attached to heat sink. Thermal conductivity of intermediate layers between Zone A and heat sink must be better than 0.1 W / [°C x mm].



PCB Material :Rogers RO4350B,0.508mm thickness
 trace width 1.07mm wide.



BODY: CARBON STEEL, SILVER PLATED
 RIGID PINS: COPPER, SILVER PLATED

NOTES:

- 1.STANDARD INPUT/OUTPUT IMPEDANCE 50 Ohm
- 2.LEAD FREE, NO Nd MATERIAL, BeO FREE
- 3.THE DIMENSION OF DATE MATRIX IS 3X3MM INFORMATION INCLUDING WORK ORDER NUMBER-SERIAL NUMBER-MATERIAL NUMBER
- 4.THIS PART COMPLIES WITH ALL RoHS REQUIREMENTS

ELECTRICAL SPECIFICATIONS :

- Frequency Range : 3500~4100 MHz
- Insertion Loss : 0.40 dB max
- Isolation : 20 dB Min
- Return Loss : 20 dB min
- Forward Power : 20W
- Peak Power : 200W
- Reverse Power : 20W
- IMD(2.5W*2tones,1MHz Spacing) :-60 dBc max
- Operating Temperature : -40°C to +105°C
- Direction : CW

ENG PART#:802-350-410-VP040

FUNCTIONAL SYMBOLS	THIS DRAWING CONTAINS INFORMATION THAT IS PROPRIETARY TO MOLEX ELECTRONIC TECHNOLOGIES, LLC AND SHOULD NOT BE USED WITHOUT WRITTEN PERMISSION		CURRENT REV DESC:		molex		
	MM	SCALE 1:1	RELEASE TO PROD				
DIVISIONAL SYMBOLS	GENERAL TOLERANCES (UNLESS SPECIFIED)		EC NO: 696580		SMSJ CIRCULATOR/3500~4100MHZ/CW		
	4 PLACES	±0.005	DRWN: SREN05	2022/02/21			
DIVISIONAL SYMBOLS	3 PLACES	±0.025	CHK'D: JLI252	2022/02/23	RESTRICTED PRODUCT CUSTOMER DRAWING		
	2 PLACES	±0.13	APPR: HWANG186	2022/03/01			
DIVISIONAL SYMBOLS	1 PLACE	±0.2	INITIAL REVISION:		DOCUMENT NUMBER		
	0 PLACES	±0.4	DRWN: SREN05	2021/11/15		735912043	
ANGULAR TOL ± 1.5 °		APPR: HWANG186	2022/03/01	PSD	000		
DRAFT WHERE APPLICABLE MUST REMAIN WITHIN DIMENSIONS		THIRD ANGLE PROJECTION	DRAWING	SERIES	MATERIAL NUMBER	CUSTOMER	SHEET NUMBER
			A3-SIZE	73591	0735912043	CUSTOM PART	1 OF 1