



**Future Technology Devices
International Ltd**

**UM245R USB - Parallel FIFO
Development Module
Datasheet**

Neither the whole nor any part of the information contained in, or the product described in this manual, may be adapted or reproduced in any material or electronic form without the prior written consent of the copyright holder. This product and its documentation are supplied on an as-is basis and no warranty as to their suitability for any particular purpose is either made or implied. Future Technology Devices International Ltd will not accept any claim for damages howsoever arising as a result of use or failure of this product. Your statutory rights are not affected. This product or any variant of it is not intended for use in any medical appliance, device or system in which the failure of the product might reasonably be expected to result in personal injury. This document provides preliminary information that may be subject to change without notice. No freedom to use patents or other intellectual property rights is implied by the publication of this document. Future Technology Devices International Ltd, Unit 1, 2 Seaward Place, Centurion Business Park, Glasgow G41 1HH United Kingdom. Scotland Registered Company Number: SC136640

1 Introduction

The UM245R is a development module which uses FTDI's FT245RL, the latest device to be added to FTDI's range of USB to parallel FIFO interface Integrated Circuit Devices. The FT245R is a USB to parallel FIFO interface, with the new FTDIChip-ID™ security dongle feature. In addition, asynchronous and synchronous bit bang interface modes are available. USB to parallel designs using the FT245R have been further simplified by fully integrating the external EEPROM, clock circuit and USB resistors onto the device. The FT245R adds a new function compared with its predecessors, effectively making it a "2-in-1" chip for some application areas. A unique number (the FTDIChip-ID™) is burnt into the device during manufacture and is readable over USB, thus forming the basis of a security dongle which can be used to protect customer application software from being copied. The UM245R is supplied on a PCB which is designed to plug into a standard 15.0mm (0.6") wide 24 pin DIP socket. All components used, including the FT245RL are Pb-free (RoHS compliant).

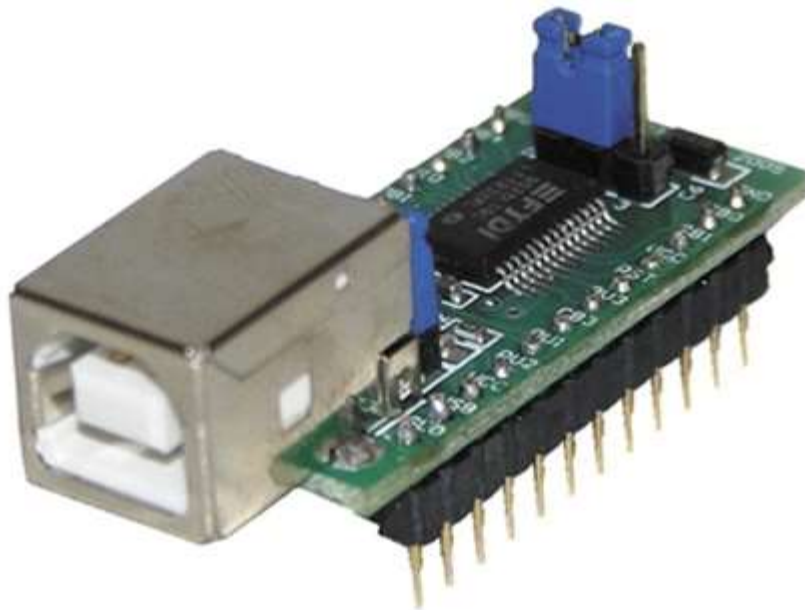


Figure 1.1 – UM245R USB to Parallel FIFO Development Module

Table of Contents

1	Introduction	2
2	Typical Applications	5
2.1	Driver Support	5
2.2	Features.....	6
3	FT245RL Features and Enhancement	7
3.1	Key Features	7
4	UM245R Pin Out and Signal Descriptions	9
4.1	UM245R Pin Out.....	9
4.2	Signal Descriptions	10
4.3	Jumper Configuration Options	11
4.4	FT245 FIFO Control Interface Read Cycle Timing Diagrams	12
4.5	FT245 FIFO Control Interface Write Cycle Timing Diagrams ...	13
5	Module Dimensions	14
6	FT245RL Device Characteristics and Ratings.....	15
6.1	Absolute Maximum Ratings.....	15
6.2	DC Characteristics.....	15
6.3	EEPROM Reliability Characteristics	18
6.4	Internal Clock Characteristics	18
7	Module Configurations	19
7.1	BUS Powered Configuration	19
7.2	Self Powered Configuration	20
7.3	USB Bus Powered with Power Switching Configuration	21
7.4	Bus Powered with 3.3V Logic Drive / IO Supply Voltage.....	22
8	UM245R Module Circuit Schematic	24
9	Internal EEPROM Configuration.....	25
10	Contact Information.....	26
Appendix A – References		28
Document References		28
Acronyms and Abbreviations		28
Appendix B – List of Tables and Figures.....		29



List of Tables	29
List of Figures	29
Appendix C – Revision History	30

2 Typical Applications

- Upgrading Legacy Peripherals to USB
- Cellular and Cordless Phone USB data transfer cables and interfaces
- Interfacing MCU / PLD / FPGA based designs to USB
- USB Audio and Low Bandwidth Video data transfer
- PDA to USB data transfer
- USB Smart Card Readers
- USB Instrumentation
- USB Industrial Control
- USB MP3 Player Interface
- USB FLASH Card Reader / Writers
- Set Top Box PC - USB interface
- USB Digital Camera Interface
- USB Hardware Modems
- USB Wireless Modems
- USB Bar Code Readers
- USB Software / Hardware Encryption Dongles

2.1 Driver Support

Royalty-Free VIRTUAL COM PORT (VCP) DRIVERS for:

- Windows 10 32,64-bit
- Windows 8 / 8.1 32,64-bit
- Windows 7 32,64-bit
- Windows Vista
- Windows XP 64-bit
- Windows XP Embedded
- Windows 98, 98SE, ME, 2000, Server 2003, XP and Server 2008
- Windows CE.NET 4.2 , 5.0 and 6.0
- MAC OS 8 / 9, OS-X
- Linux 2.4 and greater

Royalty-Free D2XX Direct Drivers (USB Drivers + DLL S/W Interface):

- Windows 10 32,64-bit
- Windows 8 / 8.1 32,64-bit
- Windows 7 32,64-bit
- Windows Vista
- Windows XP 64-bit
- Windows XP Embedded
- Windows 98, 98SE, ME, 2000, Server 2003, XP and Server 2008
- Windows CE.NET 4.2, 5.0 and 6.0
- Linux 2.4 and greater

The drivers listed above are all available to download for free from www.ftdichip.com. Various 3rd Party Drivers are also available for other operating systems - visit www.ftdichip.com for details.

2.2 Features

The UM245R USB Parallel FIFO has the following features:

- Single chip USB to parallel FIFO bidirectional data transfer interface.
- Entire USB protocol handled on the chip – No USB-specific firmware programming required.
- Simple interface to MCU / PLD / FPGA logic with 4-wire handshake interface.
- Data transfer rate to 1 Megabyte / second - D2XX Direct Drivers.
- Data transfer rate to 300 kilobyte / second – VCP Drivers.
- FTDI's royalty-free VCP and D2XX drivers eliminate the requirement for USB driver development in most cases.
- USB FTDIChip-ID™ feature.
- FIFO receives and transmits buffers for high data throughput.
- Adjustable receive buffer timeout.
- Synchronous and asynchronous bit bang mode interface options with RD# and WR strobes allow the data bus to be used as a general purpose I/O port.
- Integrated 1024 bit internal EEPROM for storing USB VID, PID, serial number and product description strings.
- Device supplied pre-programmed with unique USB serial number.
- Support for USB suspend / resume through PWREN# pin and Wake Up pin function.
- In-built support for event characters.
- Support for bus powered, self-powered, and high-power bus powered USB configurations.
- Integrated 3.3V level converter for USB I/O.
- Integrated level converter on FIFO interface and control pins for interfacing to 5V - 1.8V Logic.
- True 5V / 3.3V / 2.8V / 1.8V CMOS drive output and TTL input.
- High output drive option on I/O pins.
- Integrated USB termination resistors.
- Integrated power-on-reset circuit.
- Fully integrated clock - no external crystal, oscillator, or resonator required.
- Fully integrated AVCC supply filtering - No separate AVCC pin and no external R-C filter required.
- USB bulk transfer mode.
- 3.3V to 5.25V Single Supply Operation.
- Low operating and USB suspend current.
- Low USB bandwidth consumption.
- UHCI / OHCI / EHCI host controller compatible
- USB 2.0 Full Speed compatible.
- -40°C to +85°C extended operating temperature range.
- Supplied in PCB designed to fit a standard 15.0mm (0.6") wide 24 pin DIP socket. Pins are on a 2.54mm (0.1") pitch.
- On board USB 'B' socket allows module to be connected to a PC via a standard A to B USB cable.

3 FT245RL Features and Enhancement

3.1 Key Features

This section summarises the key features and enhancements of the FT245R IC device which is used in the UM245R Module. For further details, consult the FT245R datasheet, which is available from the [FTDI website](#).

Integrated Clock Circuit – Previous generations of FTDI’s USB to parallel FIFO interface devices required an external crystal or ceramic resonator. The clock circuit has now been integrated onto the device meaning that no crystal or ceramic resonator is required. It is important to note that VCC must be between 4.0 and 5.25V. However, if required, an external 12MHz crystal can be used as the clock source.

Integrated EEPROM – Previous generations of FTDI’s USB to parallel FIFO interface devices required an external EEPROM if the device were to use USB Vendor ID (VID), Product ID (PID), serial number and product description strings other than the default values in the device itself. This external EEPROM has now been integrated onto the FT245R chip meaning that all designs have the option to change the product description strings. A user area of the internal EEPROM is available for storing additional data. The internal EEPROM is programmable in circuit, over USB without any additional voltage requirement.

Pre-programmed EEPROM – The FT245R is supplied with its internal EEPROM pre-programmed with a serial number which is unique to each individual device. This, in most cases, will remove the need to program the device EEPROM.

Integrated USB Resistors – Previous generations of FTDI’s USB to parallel FIFO interface devices required two external series termination resistors on the USBDP and USBDM signals, and a 1.5 kΩ pull up resistor on USBDP. These three resistors have now been integrated onto the device.

Integrated AVCC Filtering – Previous generations of FTDI’s USB to parallel FIFO interface devices had a separate AVCC pin – the supply to the internal PLL. This pin required an external R-C filter. The separate AVCC pin is now connected internally to VCC, and the filter has now been integrated onto the chip.

Fewer External Components – Integration of the crystal, EEPROM, USB resistors, and AVCC filter will substantially reduce the bill of materials cost for USB interface designs using the FT245R compared to its FT245BM predecessor.

Enhanced Asynchronous Bit Bang Mode with RD# and WR# Strokes – The FT245R supports FTDI’s BM chip bit bang mode. In bit bang mode, the eight parallel FIFO data bus lines can be switched from the regular interface mode to an 8-bit general purpose I/O port. Data packets can be sent to the device and they will be sequentially sent to the interface at a rate controlled by an internal timer (equivalent to the baud rate prescaler). With the FT245R device this mode has been enhanced so that the internal RD# and WR strokes are now brought out of the device which can be used to allow external logic to be clocked by accesses to the bit bang I/O bus. This option is described more fully in the application note [AN232R-01 Bit Bang Modes for the FT232R and FT245R](#).

Synchronous Bit Bang Mode – Synchronous bit bang mode differs from asynchronous bit bang mode in that the interface pins are only read when the device is written to. This makes it easier for the controlling program to measure the response to an output stimulus as the data returned is synchronous to the output data. The feature was previously seen in FTDI’s FT232D device. This option is described more fully in the application note [AN232R-01 Bit Bang Modes for the FT232R and FT245R](#).

Lower Supply Voltage – Previous generations of the chip required 5V supply on the VCC pin. The FT245R will work with a VCC supply in the range 4.0V - 5V. Bus powered designs would still take their supply from the 5V on the USB bus. Self-powered designs must provide between 4.0V and 5.25V to VCC.

Integrated Level Converter on FIFO Interface and Control Signals – VCCIO pin supply can be from 1.8V to 5V. Connecting the VCCIO pin to 1.8V, 2.8V, or 3.3V allows the device to directly interface to 1.8V, 2.8V or 3.3V and other logic families without the need for external level converter ICs.

5V / 3.3V / 2.8V / 1.8V Logic Interface – The FT245R provides true CMOS Drive Outputs and TTL level Inputs.

Integrated Power-On-Reset (POR) Circuit – The device incorporates an internal POR function. A RESET# pin is available in order to allow external logic to reset the FT245R where required. With many applications the RESET# pin can be left unconnected, or pulled up to VCCIO.

Wake Up Function – If USB is in suspend mode and remote wake up has been enabled in the internal EEPROM (it is enabled by default), the RXF# pin becomes an input. Strobing this pin low will cause the FT245R to request a resume from suspend on the USB bus. Normally this can be used to wake up the host PC from suspend.

Lower Operating and Suspend Current – The device operating supply current has been further reduced to 15mA, and the suspend current has been reduced to around 70µA. This allows a greater margin for peripherals to meet the USB suspend current limit of 500µA (2.5mA with remote wake up enabled).

Low USB Bandwidth Consumption – The operation of the USB interface to the FT245R has been designed to use as little as possible of the total USB bandwidth available from the USB host controller.

High Output Drive Option – The parallel FIFO interface and the FIFO handshake output pins can be made to drive out at three times the standard signal drive level thus allowing multiple devices to be driven, or devices that require greater signal drive strength to be interfaced to the FT245R. This option is configured in the internal EEPROM.

Power Management Control for USB Bus Powered, High Current Designs – The PWREN# signal can be used to directly drive a transistor or P-Channel MOSFET in applications where power switching of external circuitry is required. An option in the internal EEPROM makes the device gently pull down on its FIFO interface lines when the power is shut off (PWREN# is high). In this mode any residual voltage on external circuitry is bled to GND when power is removed, thus ensuring that external circuitry controlled by PWREN# resets reliably when power is restored.

FTDIDchip-ID™ - unique serial number which is burnt into the device at manufacture - This ID number cannot be reprogrammed by product manufacturers or end-users. This allows the possibility of using FT245R based dongles for software licensing. Further to this, a renewable license scheme can be implemented based on the FTDIDchip-ID™ number when encrypted with other information. This encrypted number can be stored in the user area of the FT245R internal EEPROM, and can be decrypted, then compared with the protected FTDIDchip-ID™ to verify that a license is valid. Web based applications can be used to maintain product licensing this way. An application note describing this feature is available separately from the [FTDI website](#). The FTDIDchip-ID is different from the USB Serial Number as defined in the USB specification.

Improved EMI Performance – The reduced operating current and improved on-chip VCC decoupling significantly improves the ease of PCB design requirements in order to meet FCC, CE and other EMI related specifications.

Programmable FIFO TX Buffer Timeout – The FIFO TX buffer timeout is used to flush remaining data from the receive buffer. This timeout defaults to 16ms, but is programmable over USB in 1ms increments from 1ms to 255ms, thus allowing the device to be optimised for protocols that require fast response times from short data packets.

Extended Operating Temperature Range – The FT245R operates over an extended temperature range of -40° to +85° C thus allowing the device to be used in automotive and industrial applications.

New Package Options – The FT245R is available in two packages - a compact 28 pin SSOP (FT245RL) and an ultra-compact 5mm x 5mm pinless QFN-32 package (FT245RQ). Both packages are lead (Pb) free, and use a 'green' compound. Both packages are fully compliant with European Union directive 2002/95/EC.

4 UM245R Pin Out and Signal Descriptions

4.1 UM245R Pin Out

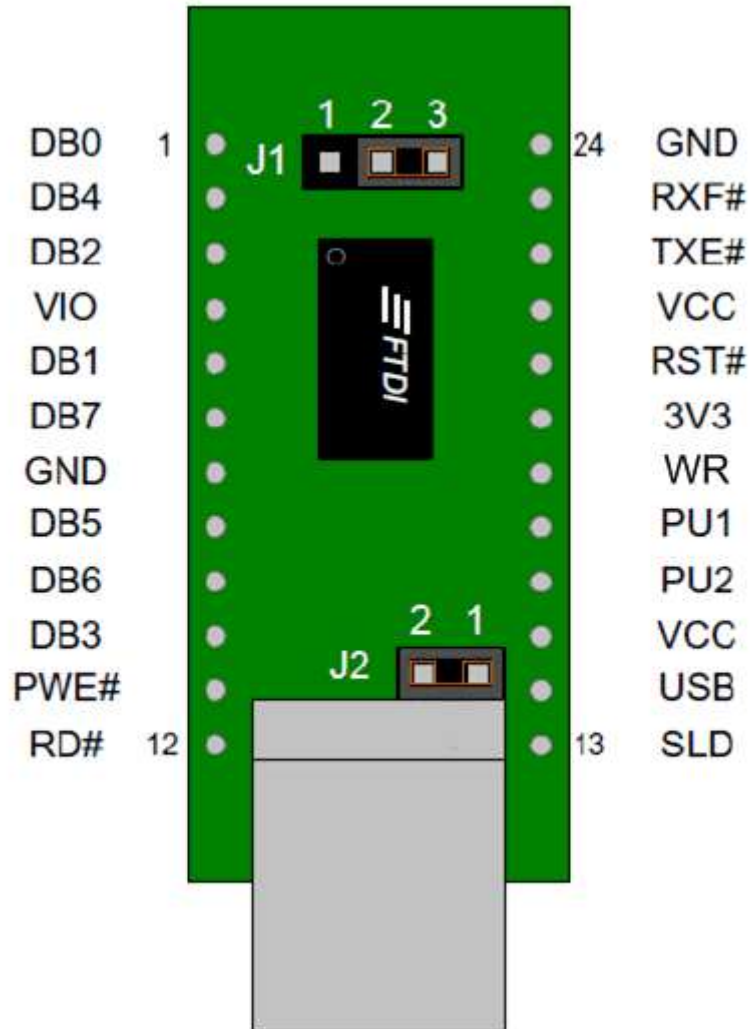


Figure 4.1 Module Pin Out and Jumper Locations

4.2 Signal Descriptions

Pin No.	Name	Type	Description
1	DB0	I/O	FIFO Data Bus Bit 0*
2	DB4	I/O	FIFO Data Bus Bit 4*
3	DB2	I/O	FIFO Data Bus Bit 2*
4	VIO	PWR	+1.8V to +5.25V supply to the FIFO Interface and Control group pins (1...3, 5, 6, 9...14, 22, 23). In USB bus powered designs connect to 3V3OUT to drive out at 3.3V levels (connect jumper J1 pins 1 and 2 together), or connect to VCC to drive at 5V CMOS level (connect jumper J1 pins 2 and 3 together). This pin can also be supplied with an external 1.8V – 5.0V supply in order to drive at different levels. It should be noted that in this case this supply should originate from the same source as the supply to Vcc. This means that in bus powered designs a regulator which is supplied by the 5V on the USB bus should be used.
5	DB1	I/O	FIFO Data Bus Bit 1*
6	DB7	I/O	FIFO Data Bus Bit 7*
7, 24	GND	PWR	Module ground supply pins
8	DB5	I/O	FIFO Data Bus Bit 5*
9	DB6	I/O	FIFO Data Bus Bit 6*
10	DB3	I/O	FIFO Data Bus Bit 3*
11	PWE#	I/O	Goes low after the device is configured by USB, then high during USB suspend. Can be used to control power to external logic P-Channel logic level MOSFET switch. Enable the interface pull-down option when using the PWREN# pin in this way.
12	RD#	I/O	Enables the current FIFO data byte on D0...D7 when low. Fetches the next FIFO data byte (if available) from the receive FIFO buffer when RD# goes from high to low. See Section 4.4 for timing diagram.*
13	SLD	GND	USB Cable shield.
14	USB	Output	5V Power output USB port. For a low power USB bus powered design, up to 100mA can be sourced from the 5V supply on the USB bus. A maximum of 500mA can be sourced from the USB bus in a high power USB bus powered design.
15, 21	VCC	PWR or Output	These two pins are internally connected on the module PCB. To power the module from the 5V supply on USB bus, connect jumper J2 pins 1 and 2 together (this is the module default configuration). In this case these pins would have the same description as pin 14. To use the UM245R module in a self-powered configuration, ensure that jumper J2 pins 1 and 2 are not connected together, and apply an external 3.3V to 5.25V supply to one or both of these pins.
17	PU1	Control	Pull up resistor pin connection 2. Connect to pin 17 (RST#) in a self-powered configuration.
16	PU2	Control	Pull up resistor pin connection 1. Connect to pin 14 (USB) in a self-powered configuration.
19	3V3	Output	3.3V output from integrated LDO regulator. This pin is decoupled to ground on the module PCB with a 100nF capacitor. The prime purpose of this pin is to provide the internal 3.3V supply to the USB transceiver cell and the internal 1.5kΩ pull up resistor on USBDP. Up to 50mA can be drawn from this pin to power external logic if required. This pin can also be used to supply the FT245RL's VCCIO pin by connecting this pin to pin 4 (VIO), or by connecting together pins 1 and 2 on jumper J1.
20	RST#	Input	Can be used by an external device to reset the FT245R. If not required can be left unconnected, or pulled up to VCCIO.

Pin No.	Name	Type	Description
18	WR	I/O	Writes the data byte on the D0...D7 pins into the transmit FIFO buffer when WR goes from high to low. See Section 4.4 for timing diagram.*
22	TXE#	I/O	When high, do not write data into the FIFO. When low, data can be written into the FIFO by strobing WR high, then low. During reset this signal pin is tri-state, but pulled up to VCCIO via an internal 200kΩ resistor. See Section 4.4 for timing diagram.
23	RXF#	I/O	When high, do not read data from the FIFO. When low, there is data available in the FIFO which can be read by strobing RD# low, then high again. During reset this signal pin is tri-state, but pulled up to VCCIO via an internal 200kΩ resistor. See Section 4.4 for timing diagram. If the Remote Wakeup option is enabled in the internal EEPROM, during USB suspend mode (PWREN# = 1) RXF# becomes an input which can be used to wake up the USB host from suspend mode. Strobing the pin low will cause the device to request a resume on the USB bus.

Table 4.1 Module Pin-Out Description

* When used in Suspend, these pins are pulled to VCCIO via internal 200kΩ resistors. These pins can be programmed to gently pull low during USB suspend (PWREN# = "1") by setting an option in the internal EEPROM.

4.3 Jumper Configuration Options

Pin No.	Name	Type	Description
1	3V3	Output	3.3V output from integrated LDO regulator. This pin is decoupled to ground on the module PCB with a 100nF capacitor. The prime purpose of this pin is to provide the internal 3.3V supply to the USB transceiver cell and the internal 1.5kΩ pull up resistor on USBDP. Up to 50mA can be drawn from this pin to power external logic if required. This pin can also be used to supply the FT245RL's VCCIO pin by connecting this pin to pin 4 (VIO), or by connecting together pins 1 and 2 on jumper J1.
2	VIO	PWR	+1.8V to +5.25V supply to the FIFO Interface and control pins (1...3, 5, 6, 9...14, 22, 23). In USB bus powered designs connect to 3V3 to drive out at 3.3V levels (connect jumper J1 pins 1 and 2 together), or connect to VCC to drive out at 5V CMOS level (connect jumper J1 pins 2 and 3 together). This pin can also be supplied with an external 1.8V - 2.8V supply in order to drive out at lower levels. It should be noted that in this case this supply should originate from the same source as the supply to Vcc. This means that in bus powered designs a regulator which is supplied by the 5V on the USB bus should be used.
3	VCC	PWR	VCC Output. This will be 5V from the USB bus if pins 1 and 2 on jumper J2 are connected. Alternatively, if the module is in a self-powered configuration, the supply to the VCC module pins (15 and 21) will be brought out to this jumper pin. Connect this jumper J1 pin 2 in order to supply the device IO pins from the supply to VCCIO.

Table 4.2 Jumper J1 Pin Descriptions

Pin No.	Name	Type	Description
1	USB	PWR	5V Power output USB port. For a low power USB bus powered design, up to 100mA can be sourced from the 5V supply on the USB bus. A maximum of 500mA can be sourced from the USB bus in a high power USB bus powered design with the use of an external power switch (See Section 7.3).
2	VCC	PWR or Output	Board supply input. Connect to jumper J2 pin 1 in order to supply the board from the USB bus. This pin is internally connected to the VCC DIP pins. Remove the jumper connector in a self-powered design.

Table 4.3 Jumper J2 Pin Descriptions

4.4 FT245 FIFO Control Interface Read Cycle Timing Diagrams

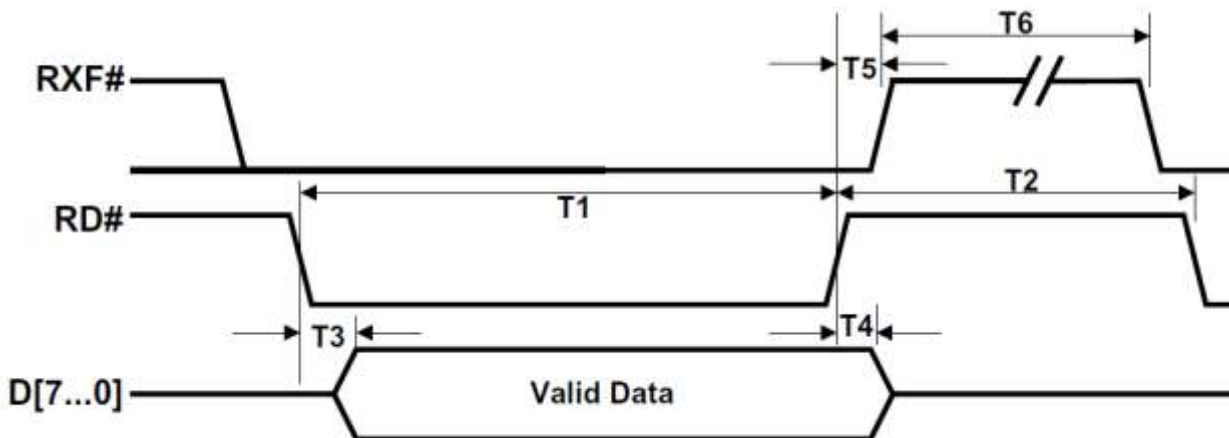


Figure 4.2 FIFO Read Cycle

Time	Description	Min	Max	Unit
T1	RD# Active Pulse Width	50		ns
T2	RD# to RD# Pre-Charge Time	50 + T6		ns
T3	RD# Active to Valid Data*	20	50	ns
T4	Valid Data Hold Time from RD# Inactive*	0		ns
T5	RD# Inactive to RXF#	0	25	ns
T6	RXF# Inactive After RD# Cycle	80		ns

Table 4.4 FIFO Read Cycle Timings

* Load = 30pF

4.5 FT245 FIFO Control Interface Write Cycle Timing Diagrams

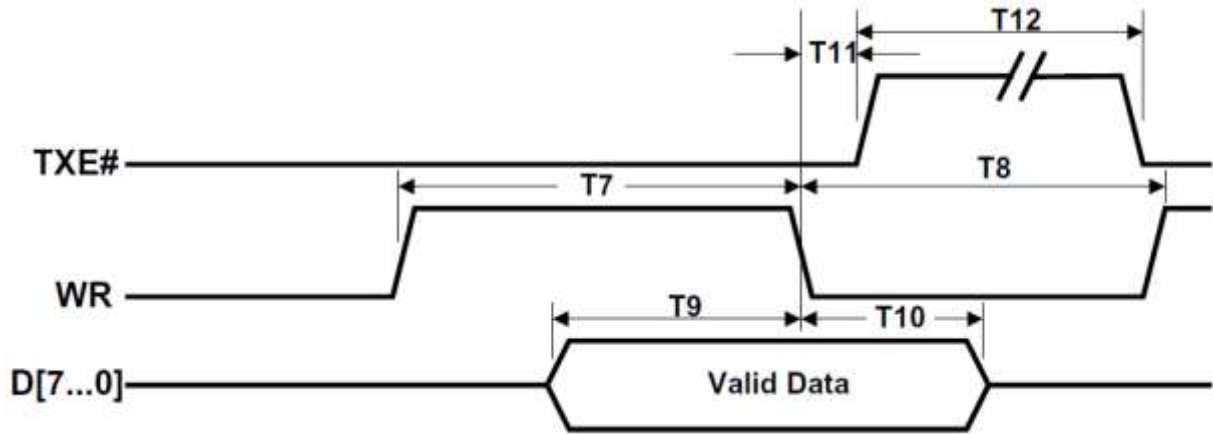


Figure 4.3 FIFO Write Cycle

Time	Description	Min	Max	Unit
T7	WR Active Pulse Width	50		ns
T8	WR to RD Pre-Charge Time	50		ns
T9	Data Setup Time before WR Inactive	20		ns
T10	Data Hold Time from RD Inactive	0		ns
T11	WR Inactive to TXE#	0	25	ns
T12	TXE# Inactive After WR Cycle	80		ns

Table 4.5 FIFO Write Cycle Timings

5 Module Dimensions

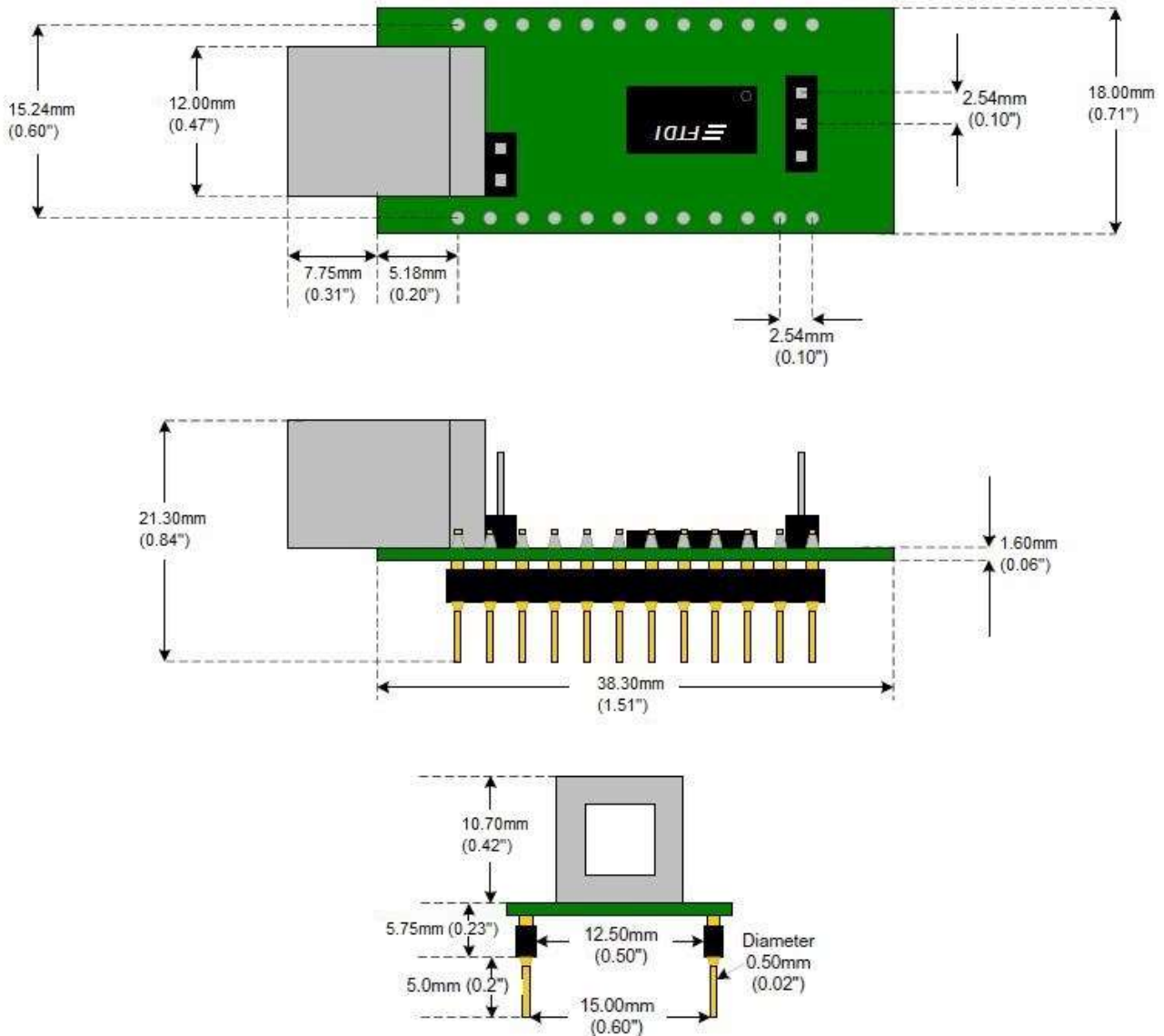


Figure 5.1 UM245R Module Dimensions

All dimensions are shown in millimeters with inches shown in parenthesis. These should be used as a guide only.

The FT245RL IC device used by the UM245R is supplied in a RoHS compliant 28 pin SSOP package. The package is lead (Pb) free and uses a 'green' compound. The date code format is **YYXX** where XX = 2 digit week number, YY = 2 digit year number.

The UM245R module uses exclusively lead free components.

Both the I.C. device and the module are fully compliant with European Union directive 2002/95/EC.

6 FT245RL Device Characteristics and Ratings

6.1 Absolute Maximum Ratings

The absolute maximum ratings for the FT245R devices are as follows. These are in accordance with the Absolute Maximum Rating System (IEC 60134). Exceeding these may cause permanent damage to the device.

Parameter	Value	Unit
Storage Temperature	-65 to +150	°C
Floor Life (Out of Bag) At Factory Ambient (30°C / 60% Relative Humidity)	168 Hours (IPC/JEDEC J-STD-033A MSL Level 3 Compliant)*	Hours
Ambient Temperature (Power Applied)	-40 to +85	°C
VCC Supply Voltage	-0.5 to +6.00	V
D.C. Input Voltage - USBDP and USBDM	-0.5 to +3.8	V
D.C. Input Voltage - High Impedance Bidirectional signals	-0.5 to +(Vcc +0.5)	V
D.C. Input Voltage - All other Inputs	-0.5 to +(Vcc +0.5)	V
D.C. Output Current - Outputs	24	mA
DC Output Current - Low Impedance Bidirectional	24	mA
Power Dissipation (Vcc = 5.25V)	500	mW

Table 6.1 Absolute Maximum Rating

* If devices are stored out of the packaging beyond this time limit the devices should be baked before use. The devices should be ramped up to a temperature of 125°C and baked for up to 17 hours.

6.2 DC Characteristics

DC Characteristics (Ambient Temperature = -40 to 85°C)

Parameter	Description	Minimum	Typical	Maximum	Units	Conditions
VCC1	VCC Operating Supply Voltage	4.0	---	5.25	V	The UM245R only uses the FT245R internal oscillator circuit
VCC2	VCCIO Operating Supply Voltage	1.8	---	5.25	V	
Icc1	Operating Supply Current	---	15	---	mA	Normal Operation
Icc2	Operating Supply Current	50	70	100	µA	USB Suspend

Table 6.2 Operating Voltage and Current

Parameter	Description	Minimum	Typical	Maximum	Units	Conditions
Voh	Output Voltage High	3.2	4.1	4.9	V	I source = 2mA
Vol	Output Voltage Low	0.3	0.4	0.6	V	I sink = 2mA
Vin	Input Switching Threshold	1.3	1.6	1.9	V	**
VHys	Input Switching Hysteresis	50	55	60	mV	**

Table 6.3 FIFO Interface & Control Bus Pin Characteristics (VCCIO = 5.0V, Standard Drive Level)

Parameter	Description	Minimum	Typical	Maximum	Units	Conditions
Voh	Output Voltage High	2.2	2.7	3.2	V	I source = 1mA
Vol	Output Voltage Low	0.3	0.4	0.5	V	I sink = 2mA
Vin	Input Switching Threshold	1.0	1.2	1.5	V	**
VHys	Input Switching Hysteresis	20	25	30	mV	**

Table 6.4 FIFO Interface and Control Bus Pin Characteristics (VCCIO = 3.3V, Standard Drive Level)

Parameter	Description	Minimum	Typical	Maximum	Units	Conditions
Voh	Output Voltage High	2.1	2.6	3.1	V	I source = 1mA
Vol	Output Voltage Low	0.3	0.4	0.5	V	I sink = 2mA
Vin	Input Switching Threshold	1.0	1.2	1.5	V	**
VHys	Input Switching Hysteresis	20	25	30	mV	**

Table 6.5 FIFO Interface and Control Bus Pin Characteristics (VCCIO = 2.8V, Standard Drive Level)

Parameter	Description	Minimum	Typical	Maximum	Units	Conditions
Voh	Output Voltage High	3.2	4.1	4.9	V	I source = 6mA
Vol	Output Voltage Low	0.3	0.4	0.6	V	I sink = 6mA
Vin	Input Switching Threshold	1.3	1.6	1.9	V	**
VHys	Input Switching Hysteresis	50	55	60	mV	**

Table 6.6 FIFO Interface and Control Bus Pin Characteristics (VCCIO = 5.0V, High Drive Level)

Parameter	Description	Minimum	Typical	Maximum	Units	Conditions
Voh	Output Voltage High	2.2	2.8	3.2	V	I source = 3mA
Vol	Output Voltage Low	0.3	0.4	0.6	V	I sink = 8mA
Vin	Input Switching Threshold	1.0	1.2	1.5	V	**
VHys	Input Switching Hysteresis	20	25	30	mV	**

Table 6.7 FIFO Interface and Control Bus Pin Characteristics (VCCIO = 3.3V, High Drive Level)

Parameter	Description	Minimum	Typical	Maximum	Units	Conditions
Voh	Output Voltage High	2.1	2.8	3.2	V	I source = 3mA
Vol	Output Voltage Low	0.3	0.4	0.6	V	I sink = 8mA
Vin	Input Switching Threshold	1.0	1.2	1.5	V	**
VHys	Input Switching Hysteresis	20	25	30	mV	**

Table 6.8 FIFO Interface and Control Bus Pin Characteristics (VCCIO = 2.8V, High Drive Level)

** Inputs have an internal 200kΩ pull-up resistor to VCCIO

Parameter	Description	Minimum	Typical	Maximum	Units	Conditions
Vin	Input Switching Threshold	1.3	1.6	1.9	V	
VHys	Input Switching Hysteresis	50	55	60	mV	

Table 6.9 RESET# and TEST Pin Characteristics

Parameter	Description	Minimum	Typical	Maximum	Units	Conditions
UVoh	I/O Pins Static Output (High)	2.8	---	3.6	V	RI = 1.5kΩ to 3V3Out (D+) RI = 15kΩ to GND (D-)
UVol	I/O Pins Static Output (Low)	0	---	0.3	V	RI = 1.5kΩ to 3V3Out (D+) RI = 15kΩ to GND (D-)
UVse	Single Ended Rx Threshold	0.8	---	2.0	V	
UCom	Differential Common Mode	0.8	---	2.5	V	
UVDif	Differential Input Sensitivity	0.2	---	---	V	

Parameter	Description	Minimum	Typical	Maximum	Units	Conditions
UDrvZ	Driver Output Impedance	26	29	44	Ohms	***

Table 6.10 USB I/O Pin (USBDP, USBDM) Characteristics

*** Driver Output Impedance includes the internal USB series resistors on USBDP and USBDM pins

6.3 EEPROM Reliability Characteristics

The internal 1024 bit EEPROM has the following reliability characteristics:

Parameter	Value	Unit
Data Retention	15	Years
Read / Write Cycle	100,000	Cycles

Table 6.11 EEPROM Characteristics

6.4 Internal Clock Characteristics

The internal Clock Oscillator has the following characteristics:

Parameter	Value			Unit
	Minimum	Typical	Maximum	
Frequency of Operation	11.98	12.00	12.02	MHz
Clock Period	83.19	83.33	83.47	ns
Duty Cycle	45	50	55	%

Table 6.12 Internal Clock Characteristics

Note: Use of the internal clock requires VCC to be in the range of 4.0V to 5.25V.

7 Module Configurations

7.1 BUS Powered Configuration

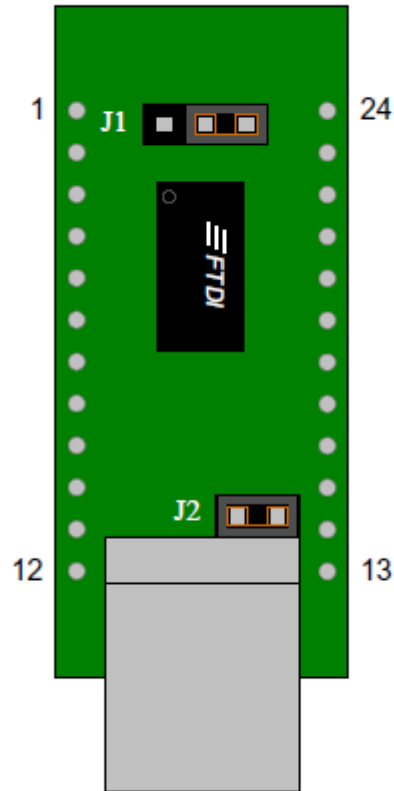


Figure 7.1 Bus Powered Configuration

Figure 7.1 illustrates the UM245R in a typical USB bus powered design configuration. This can easily be done by fitting the jumper link on J2, as shown above. The UM245R is supplied in this configuration by default. A USB Bus Powered device gets its power from the USB bus. Basic rules for USB Bus power devices are as follows:

- i) On plug-in to USB, the device must draw no more than 100mA.
- ii) On USB Suspend the device must draw no more than 500µA (2.5mA if remote wake-up is enabled).
- iii) A Bus Powered High Power USB Device (one that draws more than 100mA) should use the PWREN# pin to keep the current below 100mA on plug-in and 500µA/2.5mA on USB suspend.
- iv) A device that consumes more than 100mA cannot be plugged into a USB Bus Powered Hub.
- v) No device can draw more that 500mA from the USB Bus.

Interfacing the UM245R module to a microcontroller (MCU), or other logic for a bus powered design would be done in exactly the same way as for a self-powered design (see [Section 7.2](#)), except that the MCU would take its power supply from the USB bus (either the 5V on the USB pin, or the 3.3V on the 3V3 pin).

7.2 Self Powered Configuration

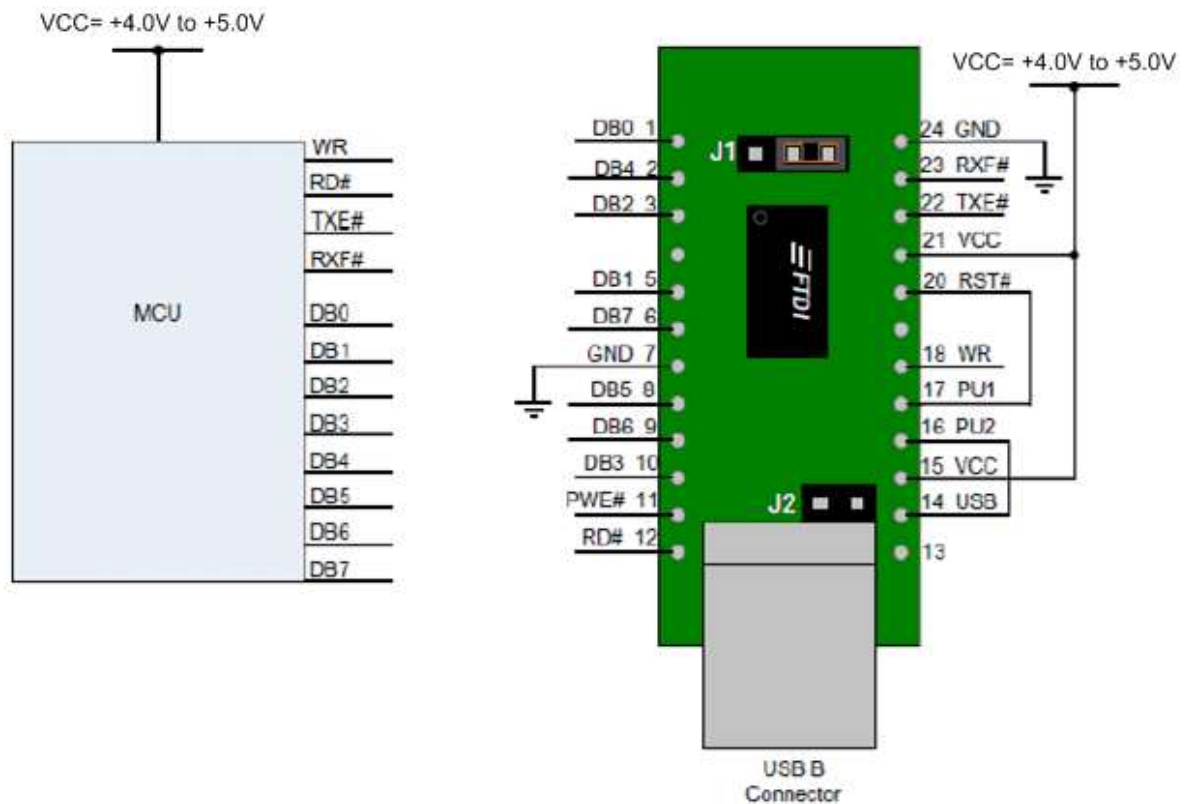


Figure 7.2 Self-Powered Configuration

Figure 7.2 illustrates the UM245R in a typical USB self-powered configuration. In this case the link on jumper J2 is removed, and an external supply is connected to the module VCC pins. Figure 7.2 illustrate a design which has a 4.0V - 5V supply.

A USB Self-Powered device gets its power from its own power supply and does not draw current from the USB bus. The basic rules for USB Self-power devices are as follows:

- i) A Self-Powered device must not force current down the USB bus when the USB Host or Hub Controller is powered down.
- ii) A Self-Powered Device can use as much current as it likes during normal operation and USB suspend as it has its own power supply.
- iii) A Self-Powered Device can be used with any USB Host and both Bus and Self-Powered USB Hubs

The power descriptor in the internal EEPROM should be programmed to a value of zero (self-powered).

In order to meet requirement (i) the USB Bus Power is used to control the RESET# Pin of the FT245R device. When the USB Host or Hub is powered up the internal 1.5kΩ resistor on USBDP is pulled up to 3.3V, thus identifying the device as a full speed device to USB. When the USB Host or Hub power is off, RESET# will go low and the device will be held in reset. As RESET# is low, the internal 1.5kΩ resistor will not be pulled up to 3.3V, so no current will be forced down USBDP via the 1.5kΩ pull-up resistor when the host or hub is powered down. To do this pin 14 (USB) is connected to PU2 and PU1 is connected to RST#. Failure to do this may cause some USB host or hub controllers to power up erratically.

Note: When the FT245R is in reset, the FIFO interface and control pins all go tri-state. These pins have internal 200kΩ pull-up resistors to VCCIO, so they will gently pull high unless driven by some external logic.

Figure 7.2 also illustrates interfacing the UM245R and a Microcontroller (MCU) FIFO interface. This example uses two MCU I/O ports: one port (8 bits) to transfer data and the other port (4 or 5 bits) to

monitor the TXE# and RXF# status bits and generate the RD# and WR strobes to the FT245R, as required. Using PWE# for this function is optional.

If the Remote Wakeup option is enabled in the internal EEPROM, during USB suspend mode RXF# becomes an input which can be used to wake up the USB host controller by strobing the pin low.

7.3 USB Bus Powered with Power Switching Configuration

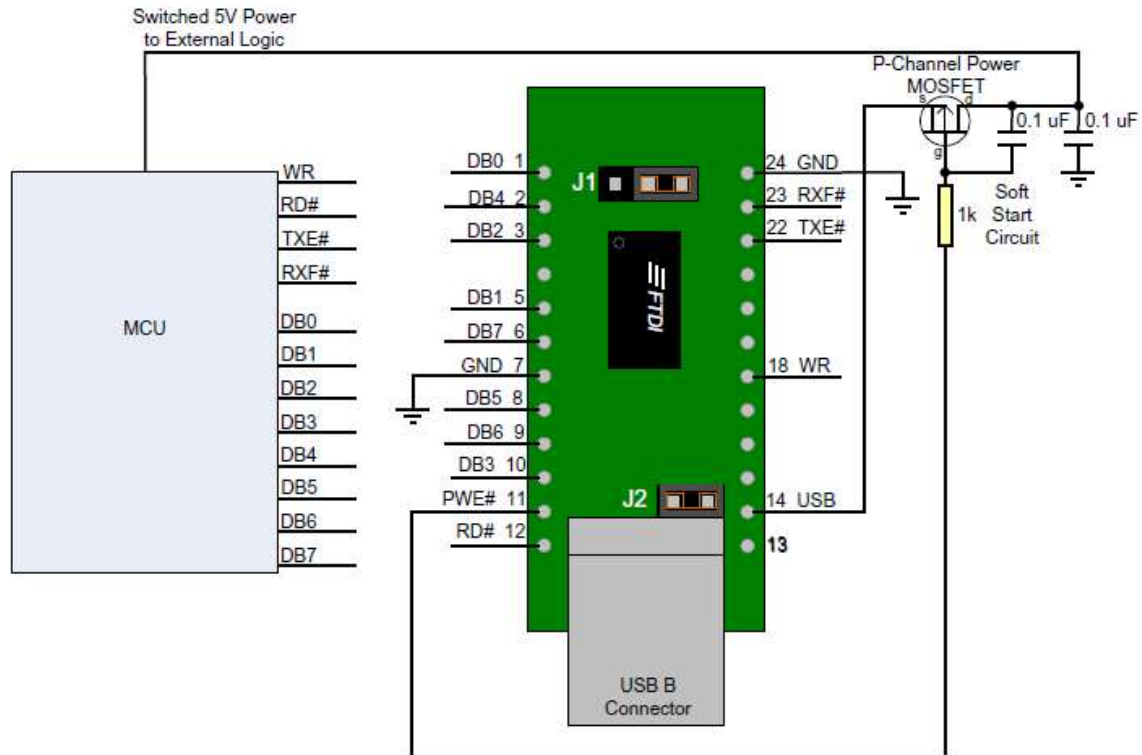


Figure 7.3 Bus Powered with Power Switching Configuration

USB Bus powered circuits need to be able to power down in USB suspend mode in order to meet the $\leq 500\mu\text{A}$ (2.5mA with remote wake-up enabled) total USB suspend current requirement, including external logic. Some external logic can power itself down into a low current state by monitoring the PWREN# signal. For external logic that cannot power itself down in this way, the FT245R provides a simple but effective way of turning off power to external circuitry during USB suspend.

Figure 7.3 shows how to use a discrete P-Channel Logic Level MOSFET to control the power to external logic circuits. A suitable device would be an International Rectifier (www.irf.com) IRLML6402, or equivalent. It is recommended that a "soft start" circuit consisting of a $1\text{k}\Omega$ series resistor and a $0.1\mu\text{F}$ capacitor are used to limit the current surge when the MOSFET turns on. Without the soft start circuit there is a danger that the transient power surge of the MOSFET turning on will reset the FT245R, or the USB host / hub controller. The values used here allow attached circuitry to power up with a slew rate of $\sim 12.5\text{V}$ per millisecond, in other words the output voltage will transition from GND to 5V in approximately 400 microseconds.

Alternatively, a dedicated power switch I.C. with inbuilt "soft-start" can be used instead of a MOSFET. A suitable power switch I.C. for such an application would be a Micrel (www.micrel.com) MIC2025-2BM or equivalent.

Please note the following points in connection with power controlled designs:

- i) The logic to be controlled must have its own reset circuitry so that it will automatically reset itself when power is re-applied on coming out of suspend.
- ii) Set the Pull-down on Suspend option in the internal EEPROM.
- iii) The PWE# pin should be used to switch the power to the external circuitry.

- iv) For USB high-power bus powered device (one that consumes greater than 100mA, and up to 500mA of current from the USB bus), the power consumption of the device should be set in the max power field in the internal EEPROM. A high-power bus powered device must use this descriptor in the internal EEPROM to inform the system of its power requirements.
- v) For 3.3V power controlled circuits the VCCIO pin must not be powered down with the external circuitry (the PWREN# signal gets its supply from VCCIO). Either connect the power switch between the output of the 3.3V regulator and the external 3.3V logic or power VCCIO from the 3V3OUT pin of the FT245R.

7.4 Bus Powered with 3.3V Logic Drive / IO Supply Voltage

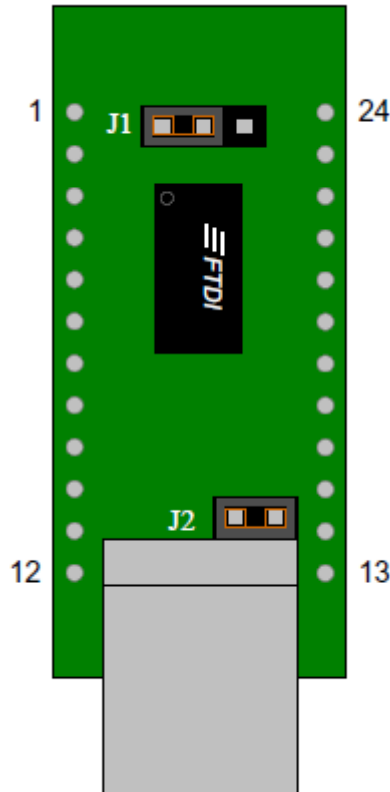


Figure 7.4 USB Bus Powered 3.3V Logic Drive

Figure 7.4 shows a configuration where a jumper switch is used to allow the FT245R to be interfaced with a 3.3V or 5V logic devices. The FT245R's VCCIO pin is either supplied with 5V from the USB bus (connect together pins 2 and 3 on J1), or with 3.3V from the FT245R's 3V3OUT pin (connect together pins 1 and 2 on J1 as shown). The supply to UM245R's 3V3 pin can also be used to supply up to 50mA to external logic.

Please note the following in relation to bus powered designs of this type:

- i) The PWREN# signal should be used to power down external logic during USB suspend mode, in order to comply with the limit of 500µA (2.5mA with remote wake-up enabled). If this is not possible, use the configuration shown in [Section 7.3](#)
- ii) The maximum current source from USB Bus during normal operation should not exceed 100mA; otherwise a bus powered design with power switching ([Section 7.3](#)) should be used.

Another possible configuration would be to use a discrete LDO which is supplied by the 5V on the USB bus to supply 2.8V - 1.8V to the VIO pin and to the external logic. VCC would be supplied with the 5V from the USB bus. With VIO connected to the output of the low dropout regulator would, in turn, will cause the FT245R I/O pins to drive out at 2.8V - 1.8V logic levels.

For USB bus powered circuits some considerations have to be taken into account when selecting the regulator:

- iii) The regulator must be capable of sustaining its output voltage with an input voltage as low as 4.35V. A Low Drop Out (LDO) regulator must be selected.
- iv) The quiescent current of the regulator must be low in order to meet the USB suspend total current requirement of $\leq 500\mu\text{A}/2.5\text{mA}$ during USB suspend.

An example of a regulator family that meets these requirements is the MicroChip MCP17xx Series of devices (www.microchip.com). These devices can supply up to 250mA current and have a quiescent current of under 1 μA .

8 UM245R Module Circuit Schematic

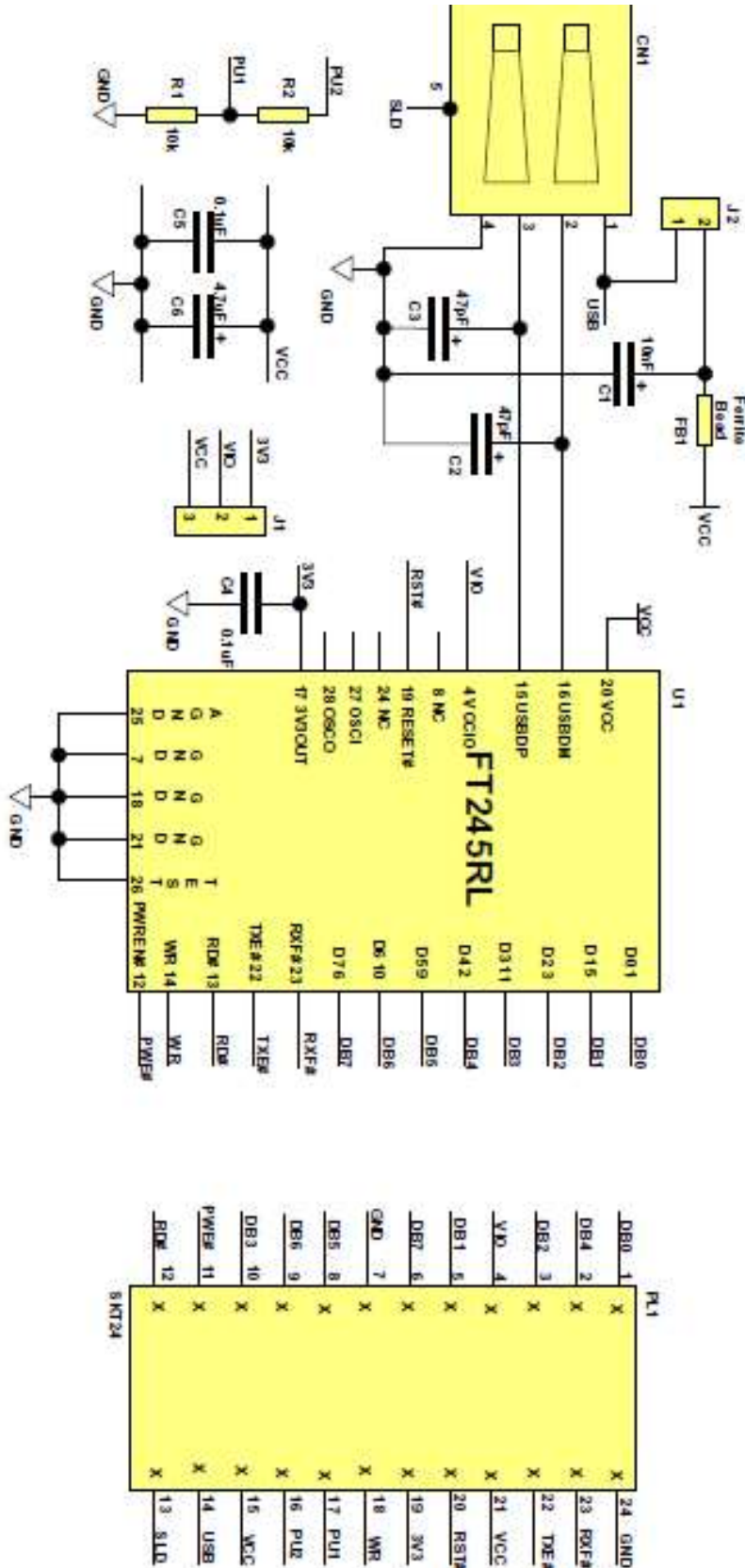


Figure 8.1 Module Circuit Schematic

9 Internal EEPROM Configuration

Following a power-on reset or a USB reset the FT245R will scan its internal EEPROM and read the USB configuration descriptors stored there. The default values programmed into the internal EEPROM in the FT245RL used on the UM245R are shown in Table 9.1.

Parameter	Value	Notes
USB Vendor ID (VID)	0403h	FTDI default VID (hex)
USB Product ID (PID)	6001h	FTDI default PID (hex)
Serial Number Enabled?	Yes	
Serial Number	See Note	A unique serial number is generated and programmed into the EEPROM during final test of the UM245R module.
Pull down I/O Pins in USB Suspend	Disabled	Enabling this option will make the device pull down on the FIFO interface lines when the power is shut off (PWREN# is high).
Manufacturer Name	FTDI	
Manufacturer ID	FT	Serial number prefix
Product Description	UM245R USB <-> Serial	
Max Bus Power Current	100mA	
Power Source	Bus Powered	
Device Type	FT245R	
USB Version	0200	Returns USB 2.0 device description to the host. Note: The device is a USB 2.0 Full Speed device (12Mb/s) as opposed to a USB 2.0 High Speed device (480Mb/s).
Remote Wake Up	Enabled	Taking RI# low will wake up the USB host controller from suspend.
High Current I/Os	Disabled	Enables the high drive level on the FIFO data bus and control I/O pins.
Load VCP Driver	Enabled	Makes the device load the VCP driver interface for the device.

Table 9.1 Default Internal EEPROM Configuration

The internal EEPROM in the FT245R can be programmed over USB using the utility program [FT_PROG](#). [FT_PROG](#) can be downloaded from the www.ftdichip.com. Users who do not have their own USB vendor ID but who would like to use a unique Product ID in their design can apply to FTDI for a free block of unique PIDs. Contact [FTDI Support](#) (sales1@ftdichip.com) for this service.

10 Contact Information

Head Office – Glasgow, UK

Future Technology Devices International Limited
Unit 1, 2 Seaward Place, Centurion Business Park
Glasgow G41 1HH
United Kingdom
Tel: +44 (0) 141 429 2777
Fax: +44 (0) 141 429 2758

E-mail (Sales) sales1@ftdichip.com
E-mail (Support) support1@ftdichip.com
E-mail (General Enquiries) admin1@ftdichip.com

Branch Office – Tigard, Oregon, USA

Future Technology Devices International Limited (USA)
7130 SW Fir Loop
Tigard, OR 97223-8160
USA
Tel: +1 (503) 547 0988
Fax: +1 (503) 547 0987

E-mail (Sales) us.sales@ftdichip.com
E-mail (Support) us.support@ftdichip.com
E-mail (General Enquiries) us.admin@ftdichip.com

Branch Office – Taipei, Taiwan

Future Technology Devices International Limited (Taiwan)
2F, No. 516, Sec. 1, NeiHu Road
Taipei 114
Taiwan, R.O.C.
Tel: +886 (0) 2 8797 1330
Fax: +886 (0) 2 8791 3576

E-mail (Sales) tw.sales1@ftdichip.com
E-mail (Support) tw.support1@ftdichip.com
E-mail (General Enquiries) tw.admin1@ftdichip.com

Branch Office – Shanghai, China

Future Technology Devices International Limited (China)
Room 1103, No. 666 West Huaihai Road,
Shanghai, 200052
China
Tel: +86 21 62351596
Fax: +86 21 62351595

E-mail (Sales) cn.sales@ftdichip.com
E-mail (Support) cn.support@ftdichip.com
E-mail (General Enquiries) cn.admin@ftdichip.com

Web Site

<http://ftdichip.com>

Distributor and Sales Representatives

Please visit the Sales Network page of the [FTDI Web site](#) for the contact details of our distributor(s) and sales representative(s) in your country.

System and equipment manufacturers and designers are responsible to ensure that their systems, and any Future Technology Devices International Ltd (FTDI) devices incorporated in their systems, meet all applicable safety, regulatory and system-level performance requirements. All application-related information in this document (including application descriptions, suggested FTDI devices and other materials) is provided for reference only. While FTDI has taken care to assure it is accurate, this information is subject to customer confirmation, and FTDI disclaims all liability for system designs and for any applications assistance provided by FTDI. Use of FTDI devices in life support and/or safety applications is entirely at the user's risk, and the user agrees to defend, indemnify and hold harmless FTDI from any and all damages, claims, suits or expense resulting from such use. This document is subject to change without notice. No freedom to use patents or other intellectual property rights is implied by the publication of this document. Neither the whole nor any part of the information contained in, or the product described in this document, may be adapted or reproduced in any material or electronic form without the prior written consent of the copyright holder. Future Technology Devices International Ltd, Unit 1, 2 Seaward Place, Centurion Business Park, Glasgow G41 1HH, United Kingdom. Scotland Registered Company Number: SC136640

Appendix A – References

Document References

[AN232R-01 Bit Bang Modes for the FT232R and FT245R](#)

www.irf.com

www.micrel.com

www.microchip.com

[FT_PROG](#)

Acronyms and Abbreviations

Terms	Description
CMOS	CMOS Complementary Metal-Oxide Semiconductor
EHCI	EHCI Enhanced Host Controller Interface
EEPROM	EEPROM Electrically Erasable Programmable Read Only Memory
FPGA	FPGA Field Programmable Gate Array
LDO	LDO Low Drop Out regulator
MCU	MCU Micro Controller
OHCI	OHCI Open Host Controller Interface
PCB	PCB Printed Circuit Board
PLD	PLD Programmable Logic Device
RoHS	RoHS Restriction of Hazardous Substances Directive
TTL	TTL Transistor-Transistor Logic
USB	USB Universal Serial Bus
UART	UART Universal Asynchronous Receiver Transmitter
UHCI	UHCI Universal Host Controller Interface

Appendix B – List of Tables and Figures

List of Tables

Table 4.1 Module Pin-Out Description	11
Table 4.2 Jumper J1 Pin Descriptions	11
Table 4.3 Jumper J2 Pin Descriptions	12
Table 4.4 FIFO Read Cycle Timings	12
Table 4.5 FIFO Write Cycle Timings.....	13
Table 6.1 Absolute Maximum Rating.....	15
Table 6.2 Operating Voltage and Current	15
Table 6.3 FIFO Interface & Control Bus Pin Characteristics (VCCIO = 5.0V, Standard Drive Level)	16
Table 6.4 FIFO Interface and Control Bus Pin Characteristics (VCCIO = 3.3V, Standard Drive Level)	16
Table 6.5 FIFO Interface and Control Bus Pin Characteristics (VCCIO = 2.8V, Standard Drive Level)	16
Table 6.6 FIFO Interface and Control Bus Pin Characteristics (VCCIO = 5.0V, High Drive Level).....	16
Table 6.7 FIFO Interface and Control Bus Pin Characteristics (VCCIO = 3.3V, High Drive Level).....	17
Table 6.8 FIFO Interface and Control Bus Pin Characteristics (VCCIO = 2.8V, High Drive Level).....	17
Table 6.9 RESET# and TEST Pin Characteristics.....	17
Table 6.10 USB I/O Pin (USBDP, USBDM) Characteristics.....	18
Table 6.11 EEPROM Characteristics	18
Table 6.12 Internal Clock Characteristics	18
Table 9.1 Default Internal EEPROM Configuration.....	25

List of Figures

Figure 1.1 – UM245R USB to Parallel FIFO Development Module	2
Figure 4.1 Module Pin Out and Jumper Locations	9
Figure 4.2 FIFO Read Cycle	12
Figure 4.3 FIFO Write Cycle	13
Figure 5.1 UM245R Module Dimensions	14
Figure 7.1 Bus Powered Configuration	19
Figure 7.2 Self-Powered Configuration.....	20
Figure 7.3 Bus Powered with Power Switching Configuration	21
Figure 7.4 USB Bus Powered 3.3V Logic Drive	22
Figure 8.1 Module Circuit Schematic.....	24

Appendix C – Revision History

Document Title: UM245R USB - Parallel FIFO Development Module Datasheet
Document Reference No.: FT_000202
Clearance No.: FTDI# 124
Product Page: <http://www.ftdichip.com/FTProducts.htm>
Document Feedback: [Send Feedback](#)

Revision	Changes	Date
Version 1.00	Initial Release	2005-12-07
Version 1.01	Circuit Schematic Diagram updated	2006-01-05
Version 1.02	Module PCB Length Dimensions added	2006-01-25
Version 1.03	Updated Table 4.1 (PU1 and PU2); Contact Information; Added Windows 7 32, 64 driver support	2009-08-12
Version 1.04	Added document reference number, FT_PROG; Corrected table 4-1-pin 5 DB5 changed to DB1; Added 4.0V VCC/Internal Clock requirement	2009-12-14
Version 1.05	Updated Figure 5.1	2017-11-10