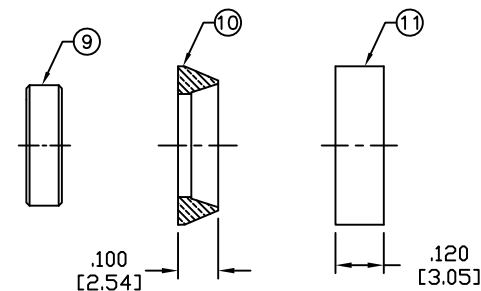
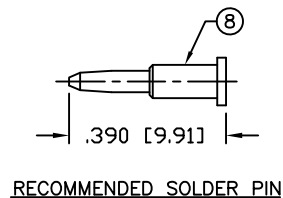
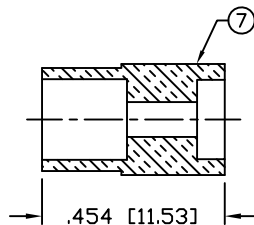
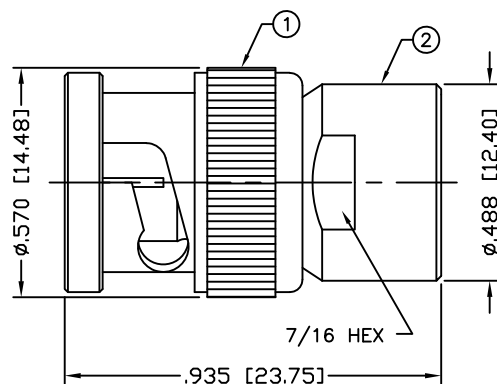


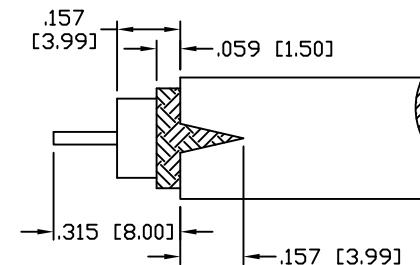
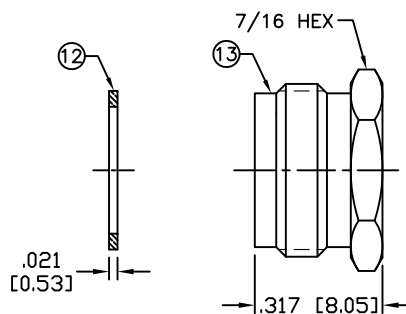
PART NO.

RFB-1701-G

REV	DESCRIPTION	DWN	DATE	APPROVED
-	ENGINEERING RELEASE	CZ	11/21/21	JDMc

**SPECIFICATIONS:**

IMPEDANCE: 75 Ohms
 FREQUENCY RANGE: 0-1 GHz
 WORKING VOLTAGE: 500 V rms @ sea level
 TEMPERATURE RANGE: -65°C TO 85°C
 INSULATION RESISTANCE: 5k M Ohms min.
 FOR BELDEN 8281, 8281B, 8281F, 9231 & WE 724 CABLE



RECOMMENDED STRIPPING INSTRUCTIONS

1	SHELL	1	BRASS	NICKEL
2	BODY	1	BRASS	NICKEL
3	GASKET	1	SILICONE	RED
4	RETAINING RING	1	BRASS	NICKEL
5	SPRING	1	SK-5	NICKEL
6	WASHER	1	BRASS	NICKEL
7	INSULATOR	1	PTFE	NATURAL
8	PIN	1	BRASS	GOLD
9	RING	1	BRASS	NICKEL
10	CLAMP	1	BRASS	NICKEL
11	GASKET	1	SILICONE	RED
12	WASHER	1	BRASS	NICKEL
13	HEX NUT	1	BRASS	NICKEL
#	DESCRIPTION	QTY	MATERIAL	FINISH

CUSTOMER
OUTLINE DRAWINGALL DIMENSIONS
ARE REFERENCE ONLYUNLESS OTHERWISE SPECIFIED:
DIMENSIONS ARE IN INCHES
AND [MILLIMETERS]DRAWN
C. ZUÑIGA 11/21/21

CHECKED

ORJ DRAWN
C. ZUÑIGA 11/21/21**RoHS
COMPLIANT**

PROPRIETARY AND CONFIDENTIAL
 THIS DRAWING CONTAINS
 INFORMATION PROPRIETARY TO
 RF INDUSTRIES, ANY
 UNAUTHORIZED USE OF THIS
 DRAWING IS EXPRESSLY
 PROHIBITED WITHOUT WRITTEN
 PERMISSION FROM RF
 INDUSTRIES. ANY VIOLATION IS
 PUNISHABLE UNDER U.S.
 COPYRIGHT LAWS.

RFconnectors
 DIVISION OF RF INDUSTRIES, LTD. (858) 549-6345 FAX

RFINDUSTRIES.COM
 7610 MIRAMAR RD.
 SAN DIEGO, CA 92126
 (858) 549-6340

BNC PLUG, CLAMPDWG # **RFB-1701-G**

CABLE GROUP	CONTROL #	SCALE	FORMAT	SHEET	REVISION
G	000000	NTS	A	1 OF 1	-