

## LM96000 Hardware Monitor with Integrated Fan Control

Check for Samples: [LM96000](#)

### FEATURES

- 2-wire, SMBus 2.0 Compliant, Serial Digital Interface
- 8-bit  $\Sigma\Delta$  ADC
- Monitors VCCP, 2.5V, 3.3 VSBY, 5.0V, and 12V Motherboard/processor Supplies
- Monitors 2 Remote Thermal Diodes
- Programmable Autonomous Fan Control Based on Temperature Readings
- Noise Filtering of Temperature Reading for Fan Control
- 1.0°C Digital Temperature Sensor Resolution
- 3 PWM Fan Speed Control Outputs
- Provides High and Low PWM Frequency Ranges
- 4 Fan Tachometer Inputs
- Monitors 5 VID Control Lines
- 24-pin TSSOP Package
- XOR-tree Test Mode

### APPLICATIONS

- Desktop PC
- Microprocessor based equipment
  - (e.g. Base-stations, Routers, ATMs, Point of Sales)

### KEY SPECIFICATIONS

- Voltage Measurement Accuracy  $\pm 2\%$  FS (max)
- Resolution 8-bits, 1°C
- Temperature Sensor Accuracy  $\pm 3^\circ\text{C}$  (max)
- Temperature Range
  - LM96000 Operational 0°C to +85°C
  - Remote Temp Accuracy 0°C to +125°C
- Power Supply Voltage +3.0V to +3.6V
- Power Supply Current 0.53 mA

### DESCRIPTION

The LM96000, hardware monitor, has a two wire digital interface compatible with SMBus 2.0. Using an 8-bit  $\Sigma\Delta$  ADC, the LM96000 measures:

- the temperature of two remote diode connected transistors as well as its own die
- the VCCP, 2.5V, 3.3VSBY, 5.0V, and 12V supplies (internal scaling resistors).

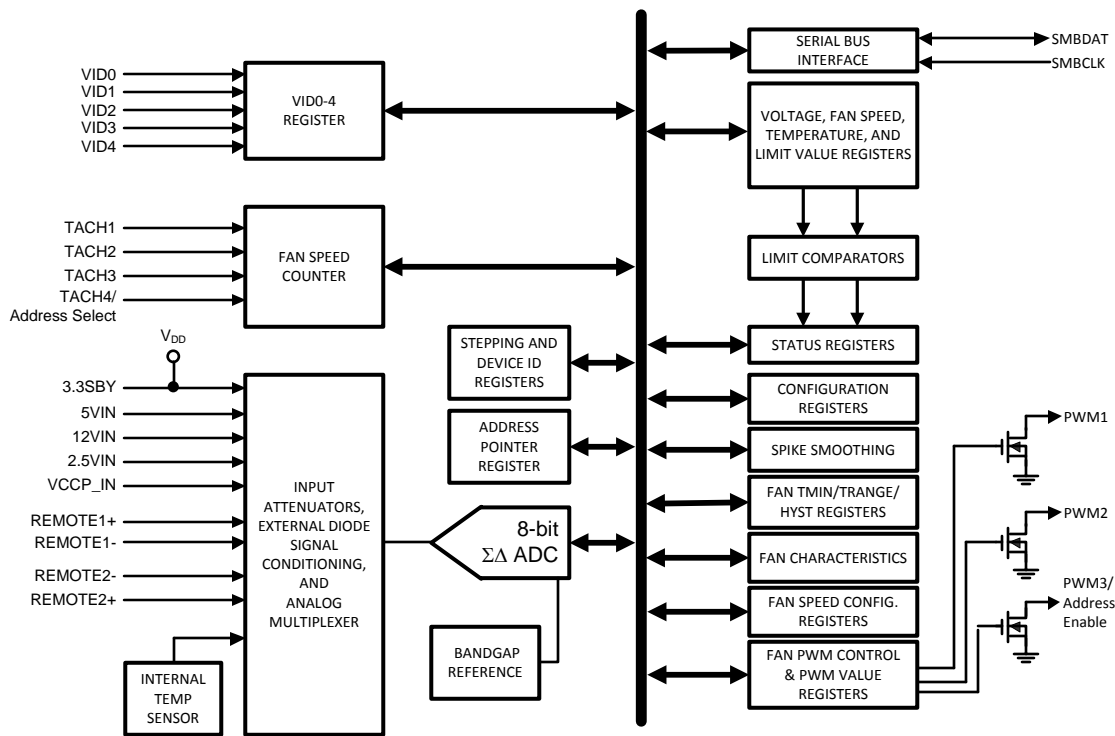
To set fan speed, the LM96000 has three PWM outputs that are each controlled by one of three temperature zones. High and low PWM frequency ranges are supported. The LM96000 includes a digital filter that can be invoked to smooth temperature readings for better control of fan speed. The LM96000 has four tachometer inputs to measure fan speed. Limit and status registers for all measured values are included.



Please be aware that an important notice concerning availability, standard warranty, and use in critical applications of Texas Instruments semiconductor products and disclaimers thereto appears at the end of this data sheet.

All trademarks are the property of their respective owners.

Block Diagram



Connection Diagram

Top View

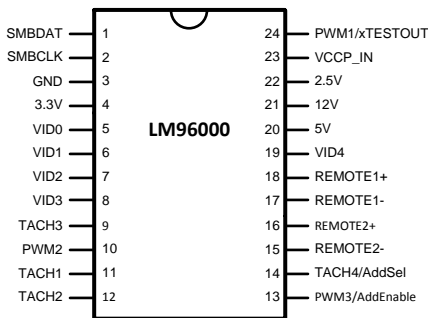


Figure 1. 24-Pin TSSOP Package

### Pin Descriptions

|                              | Name                 | Pin No. | Type                                 | Name and Function/Connection  |
|------------------------------|----------------------|---------|--------------------------------------|---|
| <b>SMBus</b>                 | SMBDAT               | 1       | Digital I/O (Open-Drain)             | System Management Bus Data. Open-drain output. 5V tolerant, SMBus 2.0 compliant.  |
|                              | SMBCLK               | 2       | Digital Input                        | System Management Bus Clock. Tied to Open-drain output. 5V tolerant, SMBus 2.0 compliant.   |
| <b>Processor VID Lines</b>   | VID0                 | 5       | Digital Input                        | Voltage identification signal from the processor. This value is read in the VID0–VID4 Status Register.  |
|                              | VID1                 | 6       | Digital Input                        | Voltage identification signal from the processor. This value is read in the VID0–VID4 Status Register.  |
|                              | VID2                 | 7       | Digital Input                        | Voltage identification signal from the processor. This value is read in the VID0–VID4 Status Register.  |
|                              | VID3                 | 8       | Digital Input                        | Voltage identification signal from the processor. This value is read in the VID0–VID4 Status Register.  |
|                              | VID4                 | 19      | Digital Input                        | Voltage identification signal from the processor. This value is read in the VID0–VID4 Status Register.  |
| <b>Power</b>                 | 3.3V                 | 4       | POWER                                | +3.3V pin. Can be powered by +3.3V Standby power if monitoring in low power states is required. This pin also serves as the analog input to monitor the 3.3V supply. This pin should be bypassed with a 0.1µf capacitor in parallel with 100pf. A bulk capacitance of approximately 10µf needs to be in the near vicinity of the LM96000. |
|                              | GND                  | 3       | GROUND                               | Ground for all analog and digital circuitry.  |
| <b>Voltage Inputs</b>        | 5V                   | 20      | Analog Input                         | Analog input for +5V monitoring.  |
|                              | 12V                  | 21      | Analog Input                         | Analog input for +12V monitoring.   |
|                              | 2.5V                 | 22      | Analog Input                         | Analog input for +2.5V monitoring.  |
|                              | VCCP_IN              | 23      | Analog Input                         | Analog input for VCCP (processor voltage) monitoring.   |
| <b>Remote Diodes</b>         | Remote1+             | 18      | Remote Thermal Diode Positive Input  | Positive input (current source) from the first remote thermal diode. Serves as the positive input into the A/D. Connected to THERMDA pin of Pentium processor or the base of a diode connected MMBT3904 NPN transistor.   |
|                              | Remote1–             | 17      | Remote Thermal Diode Negative Input  | Negative input (current sink) from the first remote thermal diode. Serves as the negative input into the A/D. Connected to THERMDC pin of Pentium processor or the emitter of a diode connected MMBT3904 NPN transistor.  |
|                              | Remote2+             | 16      | Remote Thermal Diode Positive Output | Positive input (current source) from the first remote thermal diode. Serves as the positive input into the A/D. Connected to THERMDA pin of Pentium processor or the base of a diode connected MMBT3904 NPN transistor.   |
|                              | Remote2–             | 15      | Remote Thermal Diode Negative Input  | Negative input (current sink) from the first remote thermal diode. Serves as the negative input into the A/D. Connected to THERMDC pin of Pentium processor or the emitter of a diode connected MMBT3904 NPN transistor.  |
| <b>Fan Tachometer Inputs</b> | TACH1                | 11      | Digital Input                        | Input for monitoring tachometer output of fan 1.  |
|                              | TACH2                | 12      | Digital Input                        | Input for monitoring tachometer output of fan 2.  |
|                              | TACH3                | 9       | Digital Input                        | Input for monitoring tachometer output of fan 3.  |
|                              | TACH4/Address Select | 14      | Digital Input                        | Input for monitoring tachometer output of fan 4. If in Address Select Mode, determines the SMBus address of the LM96000.  |
| <b>Fan Control</b>           | PWM1/xTest Out       | 24      | Digital Open-Drain Output            | Fan speed control 1. When in XOR tree test mode, functions as XOR Tree output.  |
|                              | PWM2                 | 10      | Digital Open-Drain Output            | Fan speed control 2.  |
|                              | PWM3/Address Enable  | 13      | Digital Open-Drain Output            | Fan speed control 3. Pull to ground at power on to enable Address Select Mode (Address Select pin controls SMBus address of the device).  |



These devices have limited built-in ESD protection. The leads should be shorted together or the device placed in conductive foam during storage or handling to prevent electrostatic damage to the MOS gates.

### Absolute Maximum Ratings<sup>(1)(2)(3)</sup>

|   |                  |                       |
|---|------------------|-----------------------|
| Supply Voltage, V+  |                  | -0.5V to 6.0V         |
| Voltage on Any Digital Input or Output Pin  |                  | -0.5V to 6.0V         |
| Voltage on 12V Analog Input   |                  | -0.5V to 16V          |
| Voltage on 5V Analog Input  |                  | -0.5V to 6.66V        |
| Voltage on Remote1+, Remote2+,  |                  | -0.5V to (V+ + 0.05V) |
| Current on Remote1-, Remote2-   |                  | ±1 mA                 |
| Voltage on Other Analog Inputs  |                  | -0.5V to 6.0V         |
| Input Current on Any Pin <sup>(4)</sup>   |                  | ±5 mA                 |
| Package Input Current <sup>(4)</sup>  |                  | ±20 mA                |
| Package Dissipation at T <sub>A</sub> = 25°C  |                  | See <sup>(5)</sup>    |
| ESD Susceptibility <sup>(6)</sup>   | Human Body Model | 2500V                 |
|   | Machine Model    | 250V                  |
| Storage Temperature   |                  | -65°C to +150°C       |
| Soldering process must comply with reflow temperature profile specifications. See <a href="http://www.ti.com/packaging">www.ti.com/packaging</a> <sup>(7)</sup> |                  |                       |

- (1) Absolute Maximum Ratings indicate limits beyond which damage to the device may occur. Operating Ratings indicate conditions for which the device is functional, but do not ensure specific performance limits. For ensured specifications and test conditions, see the Electrical Characteristics. The ensured specifications apply only for the test conditions listed. Some performance characteristics may degrade when the device is not operated under the listed test conditions.
- (2) All voltages are measured with respect to GND, unless otherwise noted.
- (3) If Military/Aerospace specified devices are required, please contact the TI Sales Office/ Distributors for availability and specifications.
- (4) When the input voltage (V<sub>IN</sub>) at any pin exceeds the power supplies (V<sub>IN</sub> < GND or V<sub>IN</sub> > V+), the current at that pin should be limited to 5mA. The 20mA maximum package input current rating limits the number of pins that can safely exceed the power supplies with an input current of 5mA to four. Parasitic components and/or ESD protection circuitry are shown below for the LM96000's pins. The nominal breakdown voltage the zener is 6.5V. Care should be taken not to forward bias the parasitic diode D1 present on pins D+ and D-. Doing so by more than 50 mV may corrupt temperature measurements. SNP stands for snap-back device.
- (5) Thermal resistance junction-to-ambient when attached to a double-sided printed circuit board with 1 oz. foil is 113 °C/W.
- (6) Human body model, 100pF discharged through a 1.5kΩ resistor. Machine model, 200pF discharged directly into each pin.
- (7) Reflow temperature profiles are different for packages containing lead (Pb) than for those that do not.

### Operating Ratings<sup>(1)(2)</sup>

|                                     |                               |
|-------------------------------------|-------------------------------|
| LM96000 Operating Temperature Range | 0°C ≤ T <sub>A</sub> ≤ +85°C  |
| Remote Diode Temperature Range      | 0°C ≤ T <sub>D</sub> ≤ +125°C |
| Supply Voltage (3.3V nominal)       | +3.0V to +3.6V                |
| V <sub>IN</sub> Voltage Range       |                               |
| +12V V <sub>IN</sub>                | -0.05V to 16V                 |
| +5V V <sub>IN</sub>                 | -0.05V to 6.66V               |
| +3.3V V <sub>IN</sub>               | 3.0V to 4.4V                  |
| VCCP_IN and All Other Inputs        | -0.05V to (V+ + 0.05V)        |
| VID0-VID4                           | -0.05V to 5.5V                |
| Typical Supply Current              | 0.53 mA                       |

- (1) Absolute Maximum Ratings indicate limits beyond which damage to the device may occur. Operating Ratings indicate conditions for which the device is functional, but do not ensure specific performance limits. For ensured specifications and test conditions, see the Electrical Characteristics. The ensured specifications apply only for the test conditions listed. Some performance characteristics may degrade when the device is not operated under the listed test conditions.
- (2) All voltages are measured with respect to GND, unless otherwise noted.

## DC Electrical Characteristics

The following specifications apply for  $V_+ = 3.0V$  to  $3.6V$ , and all analog input source impedance  $R_S = 50\Omega$  unless otherwise specified in conditions. **Boldface limits apply for  $T_A = T_J$  over  $T_{MIN} = 0^\circ C$  to  $T_{MAX} = 85^\circ C$** ; all other limits  $T_A = T_J = 25^\circ C$ .  $T_A$  is the ambient temperature of the LM96000;  $T_J$  is the junction temperature of the LM96000;  $T_D$  is the thermal diode junction temperature.

| Parameter   | Test Conditions  | Typical<br>(1)                       | Limits<br>(2) | Units<br>(Limits)           |
|---|--|--------------------------------------|---------------|-----------------------------|
| <b>POWER SUPPLY CHARACTERISTICS</b>   |  |                                      |               |                             |
| Supply Current <sup>(3)</sup>   | Converting, Interface and Fans Inactive, Peak Current    | 1.8                                  | <b>3.5</b>    | mA (max)                    |
|   | Converting, Interface and Fans Inactive, Average Current | 0.53                                 |               | mA                          |
| Power-On Reset Threshold Voltage  |  |                                      | <b>1.6</b>    | V (min)                     |
|   |  |                                      | <b>2.8</b>    | V (max)                     |
| <b>TEMPERATURE TO DIGITAL CONVERTER CHARACTERISTICS</b>   |  |                                      |               |                             |
| Resolution  |  | 1<br>8                               |               | $^\circ C$<br>Bits          |
| Temperature Accuracy (See <sup>(4)</sup> for Thermal Diode Processor Type)  | $T_D = 25^\circ C$                                       |                                      | $\pm 2.5$     | $^\circ C$ (max)            |
|   | $T_D = 0^\circ C$ to $100^\circ C$                       |                                      | $\pm 3$       | $^\circ C$ (max)            |
|   | $T_D = 100^\circ C$ to $125^\circ C$                     |                                      | $\pm 4$       | $^\circ C$ (max)            |
| Temperature Accuracy using Internal Diode. <sup>(5)</sup> See <sup>(6)</sup> for the thermal resistance to be used in the self-heating calculation. |  | $\pm 1$                              | $\pm 3$       | $^\circ C$ (max)            |
| $I_{DS}$  | External Diode Current Source                            | High Level                           | 188           | 280 $\mu A$ (max)           |
|   |  | Low Level                            | 11.75         | $\mu A$                     |
|   | External Diode Current Ratio                             | 16                                   |               |                             |
| <b>ANALOG TO DIGITAL CONVERTER CHARACTERISTICS</b>  |  |                                      |               |                             |
| TUE   | Total Unadjusted Error <sup>(7)</sup>                    |                                      | $\pm 2$       | %FS (max)                   |
| DNL   | Differential Non-linearity                               |                                      | 1             | LSB                         |
|   | Power Supply Sensitivity                                 |                                      | $\pm 1$       | %/V                         |
|   | Total Monitoring Cycle Time <sup>(8)</sup>               | All Voltage and Temperature readings | 182           | <b>200</b> ms (max)         |
|   | Input Resistance, all analog inputs                      |                                      | 210           | <b>140</b> k $\Omega$ (min) |
|   |  |                                      |               | <b>400</b> k $\Omega$ (max) |
| <b>DIGITAL OUTPUT: PWM1, PWM2, PWM3, XTESTOUT</b>   |  |                                      |               |                             |
| $I_{OL}$  | Logic Low Sink Current                                   | $V_{OL} = 0.4V$                      |               | <b>8</b> mA (min)           |
| $V_{OL}$  | Logic Low Level  | $I_{OUT} = +8 mA$                    |               | <b>0.4</b> V (max)          |

(1) Typicals are at  $T_A = 25^\circ C$  and represent most likely parametric norm.

(2) Limits are specified to TI's AOQL (Average Outgoing Quality Level).

(3) The average current can be calculated from the peak current using the following equation: Quiescent current will not increase substantially with an SMBus transaction.

(4) The accuracy of the LM96000C1MT is ensured when using the thermal diode of Intel Pentium 4 90nm processors or any thermal diode with a non-ideality of 1.011 and series resistance of  $3.33\Omega$ . When using a 2N3904 type transistor as a thermal diode the error band will be typically shifted by  $-2^\circ C$ .

(5) Local temperature accuracy does not include the effects of self-heating. The rise in temperature due to self-heating is the product of the internal power dissipation of the LM96000 and the thermal resistance.

(6) Thermal resistance junction-to-ambient when attached to a double-sided printed circuit board with 1 oz. foil is  $113^\circ C/W$ .

(7) TUE, total unadjusted error, includes ADC gain, offset, linearity and reference errors. TUE is defined as the "actual  $V_{in}$ " to achieve a given code transition minus the "theoretical  $V_{in}$ " for the same code. Therefore, a positive error indicates that the input voltage is greater than the theoretical input voltage for a given code. If the theoretical input voltage was applied to an LM96000 that has positive error, the LM96000's reading would be less than the theoretical.

(8) This specification is provided only to indicate how often temperature and voltage data is updated. The LM96000 can be read at any time without regard to conversion state (and will yield last conversion result).

## DC Electrical Characteristics (continued)

The following specifications apply for  $V_+ = 3.0V$  to  $3.6V$ , and all analog input source impedance  $R_S = 50\Omega$  unless otherwise specified in conditions. **Boldface limits apply for  $T_A = T_J$  over  $T_{MIN} = 0^\circ C$  to  $T_{MAX} = 85^\circ C$** ; all other limits  $T_A = T_J = 25^\circ C$ .  $T_A$  is the ambient temperature of the LM96000;  $T_J$  is the junction temperature of the LM96000;  $T_D$  is the thermal diode junction temperature.

| Parameter                              |                                | Test Conditions          | Typical<br>(1) | Limits<br>(2) | Units<br>(Limits) |
|--|--------------------------------|--------------------------|----------------|---------------|-------------------|
| <b>SMBUS OPEN-DRAIN OUTPUT: SMBDAT</b> |                                |                          |                |               |                   |
| $V_{OL}$                               | Logic Low Output Voltage       | $I_{OUT} = +4\text{ mA}$ |                | <b>0.4V</b>   | V (max)           |
| $I_{OH}$                               | High Level Output Current      | $V_{OUT} = V_+$          | 0.1            | <b>10</b>     | $\mu A$ (max)     |
| <b>SMBUS INPUTS: SMBCLK, SMBDAT</b>    |                                |                          |                |               |                   |
| $V_{IH}$                               | Logic Input High Voltage       |                          |                | <b>2.1</b>    | V (min)           |
| $V_{IL}$                               | Logic Input Low Voltage        |                          |                | <b>0.8</b>    | V (max)           |
| $V_{HYST}$                             | Logic Input Hysteresis Voltage |                          | 300            |               | mV                |
| <b>DIGITAL INPUTS: ALL</b>             |                                |                          |                |               |                   |
| $V_{IH}$                               | Logic Input High Voltage       |                          |                | <b>2.1</b>    | V (min)           |
| $V_{IL}$                               | Logic Input Low Voltage        |                          |                | <b>0.8</b>    | V (max)           |
| $V_{TH}$                               | Logic Input Threshold Voltage  |                          | 1.5            |               | V                 |
| $I_{IH}$                               | Logic High Input Current       | $V_{IN} = V_+$           | 0.005          | <b>10</b>     | $\mu A$ (max)     |
| $I_{IL}$                               | Logic Low Input Current        | $V_{IN} = GND$           | -0.005         | <b>-10</b>    | $\mu A$ (max)     |
| $C_{IN}$                               | Digital Input Capacitance      |                          | 20             |               | pF                |

## AC Electrical Characteristics

The following specifications apply for  $V_+ = 3.0V$  to  $3.6V$  unless otherwise specified in conditions. **Boldface limits apply for  $T_A = T_J$  over  $T_{MIN} = 0^\circ C$  to  $T_{MAX} = 85^\circ C$** ; all other limits  $T_A = T_J = 25^\circ C$ .

| Parameter                     |                                | Test Conditions     | Typical<br>(1) | Limits<br>(2)              | Units<br>(Limits) |
|-------------------------------|--------------------------------|---------------------|----------------|----------------------------|-------------------|
| <b>TACHOMETER ACCURACY</b>    |                                |                     |                |                            |                   |
|                               | Fan Count Accuracy             |                     |                | <b><math>\pm 10</math></b> | % (max)           |
|                               | Fan Full-Scale Count           |                     |                | <b>65536</b>               | (max)             |
|                               | Fan Counter Clock Frequency    |                     | 90             |                            | kHz               |
|                               | Fan Count Conversion Time      |                     | 0.7            | <b>1.4</b>                 | sec (max)         |
| <b>FAN PWM OUTPUT</b>         |                                |                     |                |                            |                   |
|                               | Frequency Setting Accuracy     |                     |                | <b><math>\pm 10</math></b> | % (max)           |
|                               | Frequency Range                |                     | 10<br>30       |                            | Hz<br>kHz         |
|                               | Duty-Cycle Range               | Low frequency range |                | <b>0 to 100</b>            | % (max)           |
|                               | Duty-Cycle Resolution (8-bits) |                     | 0.390625       |                            | %                 |
|                               | Spin-Up Time Interval Range    |                     | 100<br>4000    |                            | ms<br>ms          |
|                               | Spin-Up Time Interval Accuracy |                     |                | <b><math>\pm 10</math></b> | % (max)           |
| <b>SPIKE SMOOTHING FILTER</b> |                                |                     |                |                            |                   |
|                               | Time Interval Deviation        |                     |                | <b><math>\pm 10</math></b> | % (max)           |
|                               | Time Interval Range            |                     | 35<br>0.8      |                            | sec<br>sec        |

(1) Typicals are at  $T_A = 25^\circ C$  and represent most likely parametric norm.

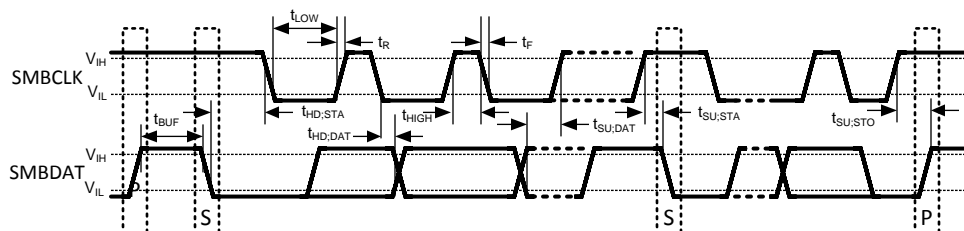
(2) Limits are specified to TI's AOQL (Average Outgoing Quality Level).

### AC Electrical Characteristics (continued)

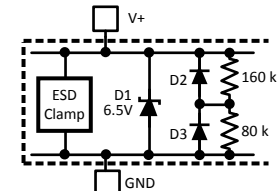
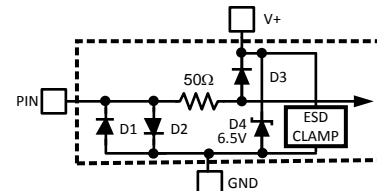
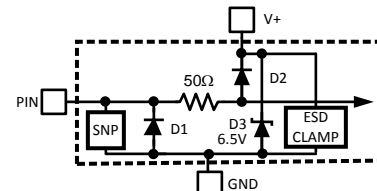
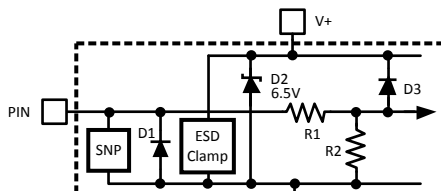
The following specifications apply for  $V_+ = 3.0V$  to  $3.6V$  unless otherwise specified in conditions. **Boldface limits apply for  $T_A = T_J$  over  $T_{MIN} = 0^\circ C$  to  $T_{MAX} = 85^\circ C$ ; all other limits  $T_A = T_J = 25^\circ C$ .**

| Parameter                           | Test Conditions  | Typical (1)  | Limits (2)              | Units (Limits)         |
|-------------------------------------|--|--------------|-------------------------|------------------------|
| <b>SMBUS TIMING CHARACTERISTICS</b> |  |              |                         |                        |
| $f_{SMB}$                           | SMBus Operating Frequency  |              | <b>10</b><br><b>100</b> | kHz (min)<br>kHz (max) |
| $t_{BUF}$                           | SMBus Free Time Between Stop And Start Condition   |              | <b>4.7</b>              | $\mu s$ (min)          |
| $t_{HD\_STA}$                       | Hold Time After (Repeated) Start Condition (after this period, the first clock is generated) |              | <b>4.0</b>              | $\mu s$ (min)          |
| $t_{SU:STA}$                        | Repeated Start Condition Setup Time  |              | <b>4.7</b>              | $\mu s$ (min)          |
| $t_{SU:STO}$                        | Stop Condition Setup Time  |              | <b>4.0</b>              | $\mu s$ (min)          |
| $t_{HD:DAT}$                        | Data Output Hold Time  |              | <b>300</b>              | ns (min)               |
|                                     |  |              | <b>930</b>              | ns (max)               |
| $t_{SU:DAT}$                        | Data Input Setup Time  |              | <b>250</b>              | ns (min)               |
| $t_{TIMEOUT}$                       | Data And Clock Low Time To Reset Of SMBus Interface Logic <sup>(3)</sup>                     |              | <b>25</b>               | ms (min)               |
|                                     |  |              | <b>35</b>               | ms (max)               |
| $t_{LOW}$                           | Clock Low Period   |              | <b>4.7</b>              | $\mu s$ (min)          |
| $t_{HIGH}$                          | Clock High Period  |              | <b>4.0</b>              | $\mu s$ (min)          |
|                                     |  |              | <b>50</b>               | $\mu s$ (max)          |
| $t_F$                               | Clock/Data Fall Time   |              | <b>300</b>              | ns (max)               |
| $t_R$                               | Clock/Data Rise Time   |              | <b>1000</b>             | ns (max)               |
| $t_{POR}$                           | Time from Power-On-Reset to LM96000 Reset and Operational                                    | $V_+ > 2.8V$ | <b>500</b>              | ms (max)               |

(3) Holding the SMBDAT and/or SMBCLK lines Low for a time interval greater than  $t_{TIMEOUT}$  will reset the LM96000's SMBus state machine, therefore setting the SMBDAT pin to a high impedance state.



| Pin No. | Pin Name | Circuit | All Input Circuits         |
|---------|----------|---------|----------------------------|
| 1       | SMBDAT   | A       | <p>Figure 2. Circuit A</p> |
| 2       | SMBCLK   | A       |                            |
| 3       | GND      | B       |                            |
| 4       | 3.3V     | B       |                            |

| Pin No. | Pin Name       | Circuit | All Input Circuits   |
|---------|----------------|---------|--|
| 5       | VID0           | A       |  <p>Figure 3. Circuit B</p>  |
| 6       | VID1           |         |  |
| 7       | VID2           |         |  |
| 8       | VID3           |         |  |
| 9       | TACH3          |         |  |
| 10      | PWM2           | C       |  <p>Figure 4. Circuit C</p>  |
| 11      | TACH1          |         |  |
| 12      | TACH2          |         |  |
| 13      | PWM3/AddEnable |         |  |
| 14      | TACH4/AddSel   | C       |  <p>Figure 5. Circuit D</p>  |
| 15      | REMOTE2-       |         |  |
| 16      | REMOTE2+       |         |  |
| 17      | REMOTE1-       |         |  |
| 18      | REMOTE1+       |         |  |
| 19      | VID4           | E       |  <p>Figure 6. Circuit E</p> |
| 20      | 5V             |         |  |
| 21      | 12V            |         |  |
| 22      | 2.5V           |         |  |
| 23      | VCCP_IN        |         |  |
| 24      | PWM1/xTEXTOUT  | A       |  |

## FUNCTIONAL DESCRIPTION

### 1.0 SMBUS

The LM96000 is compatible with devices that are compliant to the SMBus 2.0 specification. More information on this bus can be found at: <http://www.smbus.org/>. Compatibility of SMBus 2.0 to other buses is discussed in the SMBus 2.0 specification.

### 1.1 Addressing

LM96000 is designed to be used primarily in desktop systems that require only one monitoring device.

If only one LM96000 is used on the motherboard, the designer should be sure that the PWM3/Address Enable pin is High during the first SMBus communication addressing the LM96000. PWM3/Address Enable is an open drain I/O pin that at power-on defaults to the input state of Address Enable. A maximum of 10k pull-up resistance on PWM3/Address Enable is required to assure that the SMBus address of the device will be locked at 010 1110b, which is the default address of the LM96000.

During the first SMBus communication TACH4 and PWM3 can be used to change the SMBus address of the LM96000 to 0101101b or 0101100b. LM96000 address selection procedure:

- A 10 kΩ pull-down resistor to ground on the PWM3/Address Enable pin is required. Upon power up, the LM96000 will be placed into Address Enable mode and assign itself an SMBus address according to the state of the Address Select input. The LM96000 will latch the address during the first valid SMBus transaction in which the first five bits of the targeted address match those of the LM96000 address, 0 1011b. This feature eliminates the possibility of a glitch on the SMBus interfering with address selection. When the



PWM3/Address Enable pin is not used to change the SMBus address of the LM96000, it will remain in a high state until the first communication with the LM96000. After the first SMBus transaction is completed PWM3 and TACH4 will return to normal operation.

| Address Enable | Address Select | Board Implementation                              | SMBus Address  |
|----------------|----------------|---|----------------|
| 0              | 0              | Pulled to ground through a 10 kΩ resistor         | 010 1100b, 2Ch |
| 0              | 1              | Pulled to 3.3V or to GND through a 10 kΩ resistor | 010 1101b, 2Dh |
| 1              | X              | Pulled to 3.3V through a 10 kΩ resistor           | 010 1110b, 2Eh |

In this way, up to three LM96000 devices can exist on an SMBus at any time. Multiple LM96000 devices can be used to monitor additional processors and temperature zones. When using the non-default addresses the TACH4 and PWM3 will not function. As shown in the timing diagram the Address Enable pin must remain low in order for the latched address to remain in effect. If the address enable pin is pulled high after the first SMBus communication, then the LM96000 SMBus address will revert to the default value (2Eh) after the first five clocks of next SMBus communication.

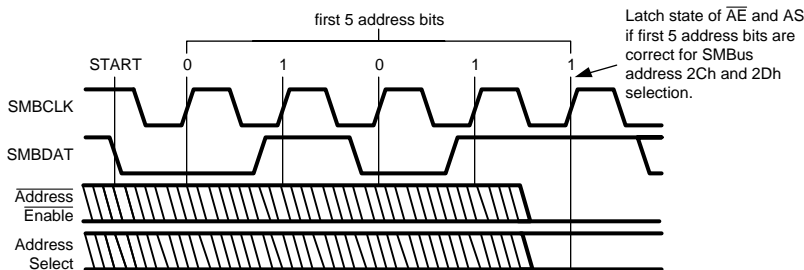


Figure 7. Address Latch Enable low during and after first communication

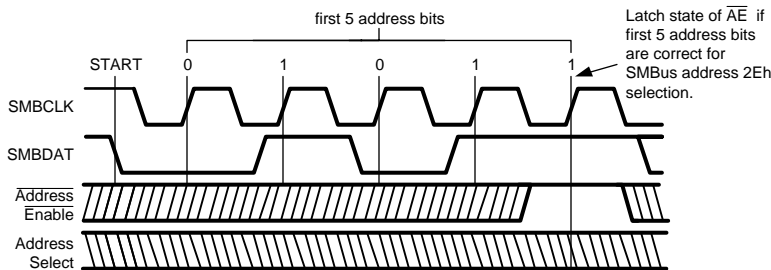


Figure 8. Address Latch Enable high during first communication

## 2.0 FAN REGISTER DEVICE SET-UP

The BIOS will follow the following steps to configure the fan registers on the LM96000. The registers corresponding to each function are listed. All steps may not be necessary if default values are acceptable. Regardless of all changes made by the BIOS to the fan limit and parameter registers during configuration, the LM96000 will continue to operate based on default values until the START bit (bit 0), in the Ready/Lock/Start/Override register (address 40h), is set. Once the fan mode is updated, by setting the START bit to 1, the LM96000 will operate using the values that were set by the BIOS in the fan control limit and parameter registers (address 5Ch through 6Eh).

1. Set limits and parameters (not necessarily in this order):
  - [5F-61h] Set PWM frequencies and auto fan control range.
  - [62-63h] Set spike smoothing and min/off.
  - [5C-5Eh] Set the fan spin-up delays.
  - [5C-5Eh] Match each fan with a corresponding thermal zone.

- [67-69h] Set the fan temperature limits.
  - [6A-6Ch] Set the temperature absolute limits.
  - [64-66h] Set the PWM minimum duty cycle.
  - [6D-6Eh] Set the temperature Hysteresis values.
2. [40h] Set bit 0 (START) to update fan control and limit register values and start fan control based on these new values.
  3. [40h] Set bit 1 (LOCK) to lock the fan limit and parameter registers (optional).

### 3.0 AUTO FAN CONTROL OPERATING MODE

The LM96000 includes the circuitry for automatic fan control. In Auto Fan Mode, the LM96000 will automatically adjust the PWM duty cycle of the PWM outputs. PWM outputs are assigned to a thermal zone based on the fan configuration registers. It is possible to have more than one PWM output assigned to a thermal zone. For example, PWM outputs 2 and 3, connected to two chassis fans, may both be controlled by thermal zone 2. At any time, the temperature of a zone exceeds its absolute limit, all PWM outputs will go to 100% duty cycle to provide maximum cooling to the system.

### 4.0 REGISTER SET

| Register Address | Read/Write | Register Name          | Bit 7 (MSB) | Bit 6 | Bit 5 | Bit 4 | Bit 3 | Bit 2 | Bit 1  | Bit 0 (LSB) | Default Value | Lock? |
|------------------|------------|------------------------|-------------|-------|-------|-------|-------|-------|--------|-------------|---------------|-------|
| 20h              | R          | 2.5V                   | 7           | 6     | 5     | 4     | 3     | 2     | 1      | 0           | N/A           |       |
| 21h              | R          | VCCP_IN                | 7           | 6     | 5     | 4     | 3     | 2     | 1      | 0           | N/A           |       |
| 22h              | R          | 3.3V                   | 7           | 6     | 5     | 4     | 3     | 2     | 1      | 0           | N/A           |       |
| 23h              | R          | 5V                     | 7           | 6     | 5     | 4     | 3     | 2     | 1      | 0           | N/A           |       |
| 24h              | R          | 12V                    | 7           | 6     | 5     | 4     | 3     | 2     | 1      | 0           | N/A           |       |
| 25h              | R          | Processor (Zone1) Temp | 7           | 6     | 5     | 4     | 3     | 2     | 1      | 0           | N/A           |       |
| 26h              | R          | Internal (Zone2) Temp  | 7           | 6     | 5     | 4     | 3     | 2     | 1      | 0           | N/A           |       |
| 27h              | R          | Remote (Zone3) Temp    | 7           | 6     | 5     | 4     | 3     | 2     | 1      | 0           | N/A           |       |
| 28h              | R          | Tach1 LSB              | 7           | 6     | 5     | 4     | 3     | 2     | LEVEL1 | LEVEL0      | N/A           |       |
| 29h              | R          | Tach1 MSB              | 15          | 14    | 13    | 12    | 11    | 10    | 9      | 8           | N/A           |       |
| 2Ah              | R          | Tach2 LSB              | 7           | 6     | 5     | 4     | 3     | 2     | LEVEL1 | LEVEL0      | N/A           |       |
| 2Bh              | R          | Tach2 MSB              | 15          | 14    | 13    | 12    | 11    | 10    | 9      | 8           | N/A           |       |
| 2Ch              | R          | Tach3 LSB              | 7           | 6     | 5     | 4     | 3     | 2     | LEVEL1 | LEVEL0      | N/A           |       |
| 2Dh              | R          | Tach3 MSB              | 15          | 14    | 13    | 12    | 11    | 10    | 9      | 8           | N/A           |       |
| 2Eh              | R          | Tach4 LSB              | 7           | 6     | 5     | 4     | 3     | 2     | LEVEL1 | LEVEL0      | N/A           |       |
| 2Fh              | R          | Tach4 MSB              | 15          | 14    | 13    | 12    | 11    | 10    | 9      | 8           | N/A           |       |
| 30h              | R/W        | Fan1 Current PWM Duty  | 7           | 6     | 5     | 4     | 3     | 2     | 1      | 0           | N/A           |       |

| Register Address | Read/Write | Register Name               | Bit 7 (MSB) | Bit 6 | Bit 5 | Bit 4 | Bit 3 | Bit 2 | Bit 1 | Bit 0 (LSB) | Default Value | Lock? |
|------------------|------------|-----------------------------|-------------|-------|-------|-------|-------|-------|-------|-------------|---------------|-------|
| 31h              | R/W        | Fan2 Current PWM Duty       | 7           | 6     | 5     | 4     | 3     | 2     | 1     | 0           | N/A           |       |
| 32h              | R/W        | Fan3 Current PWM Duty       | 7           | 6     | 5     | 4     | 3     | 2     | 1     | 0           | N/A           |       |
| 3Eh              | R          | Company ID                  | 7           | 6     | 5     | 4     | 3     | 2     | 1     | 0           | 01h           |       |
| 3Fh              | R          | Version/Stepping            | VER3        | VER2  | VER1  | VER0  | STP3  | STP2  | STP1  | STP0        | 68h           |       |
| 40h              | R/W        | Ready/Lock/Start/Override   | RES         | RES   | RES   | RES   | OVRID | READY | LOCK  | START       | 00h           |       |
| 41h              | R          | Interrupt Status Register 1 | ERR         | ZN3   | ZN2   | ZN1   | 5V    | 3.3V  | VCCP  | 2.5V        | 00h           |       |
| 42h              | R          | Interrupt Status Register 2 | ERR2        | ERR1  | FAN4  | FAN3  | FAN2  | FAN1  | RES   | 12V         | 00h           |       |
| 43h              | R          | VID0–4                      | RES         | RES   | RES   | VID4  | VID3  | VID2  | VID1  | VID0        | N/A           |       |
| 44h              | R/W        | 2.5V Low Limit              | 7           | 6     | 5     | 4     | 3     | 2     | 1     | 0           | 00h           |       |
| 45h              | R/W        | 2.5V High Limit             | 7           | 6     | 5     | 4     | 3     | 2     | 1     | 0           | FFh           |       |
| 46h              | R/W        | VCCP Low Limit              | 7           | 6     | 5     | 4     | 3     | 2     | 1     | 0           | 00h           |       |
| 47h              | R/W        | VCCP High Limit             | 7           | 6     | 5     | 4     | 3     | 2     | 1     | 0           | FFh           |       |
| 48h              | R/W        | 3.3V Low Limit              | 7           | 6     | 5     | 4     | 3     | 2     | 1     | 0           | 00h           |       |
| 49h              | R/W        | 3.3V High Limit             | 7           | 6     | 5     | 4     | 3     | 2     | 1     | 0           | FFh           |       |
| 4Ah              | R/W        | 5V Low Limit                | 7           | 6     | 5     | 4     | 3     | 2     | 1     | 0           | 00h           |       |
| 4Bh              | R/W        | 5V High Limit               | 7           | 6     | 5     | 4     | 3     | 2     | 1     | 0           | FFh           |       |
| 4Ch              | R/W        | 12V Low Limit               | 7           | 6     | 5     | 4     | 3     | 2     | 1     | 0           | 00h           |       |
| 4Dh              | R/W        | 12V High Limit              | 7           | 6     | 5     | 4     | 3     | 2     | 1     | 0           | FFh           |       |
| 4Eh              | R/W        | Processor (Zone1) Low Temp  | 7           | 6     | 5     | 4     | 3     | 2     | 1     | 0           | 81h           |       |

| Register Address | Read/Write | Register Name                | Bit 7 (MSB) | Bit 6 | Bit 5 | Bit 4 | Bit 3 | Bit 2 | Bit 1 | Bit 0 (LSB) | Default Value | Lock? |
|------------------|------------|------------------------------|-------------|-------|-------|-------|-------|-------|-------|-------------|---------------|-------|
| 4Fh              | R/W        | Process or (Zone1) High Temp | 7           | 6     | 5     | 4     | 3     | 2     | 1     | 0           | 7Fh           |       |
| 50h              | R/W        | Internal (Zone2) Low Temp    | 7           | 6     | 5     | 4     | 3     | 2     | 1     | 0           | 81h           |       |
| 51h              | R/W        | Internal (Zone2) High Temp   | 7           | 6     | 5     | 4     | 3     | 2     | 1     | 0           | 7Fh           |       |
| 52h              | R/W        | Remote (Zone3) Low Temp      | 7           | 6     | 5     | 4     | 3     | 2     | 1     | 0           | 81h           |       |
| 53h              | R/W        | Remote (Zone3) High Temp     | 7           | 6     | 5     | 4     | 3     | 2     | 1     | 0           | 7Fh           |       |
| 54h              | R/W        | Tach1 Minimum LSB            | 7           | 6     | 5     | 4     | 3     | 2     | 1     | 0           | FFh           |       |
| 55h              | R/W        | Tach1 Minimum MSB            | 15          | 14    | 13    | 12    | 11    | 10    | 9     | 8           | FFh           |       |
| 56h              | R/W        | Tach2 Minimum LSB            | 7           | 6     | 5     | 4     | 3     | 2     | 1     | 0           | FFh           |       |
| 57h              | R/W        | Tach2 Minimum MSB            | 15          | 14    | 13    | 12    | 11    | 10    | 9     | 8           | FFh           |       |
| 58h              | R/W        | Tach3 Minimum LSB            | 7           | 6     | 5     | 4     | 3     | 2     | 1     | 0           | FFh           |       |
| 59h              | R/W        | Tach3 Minimum MSB            | 15          | 14    | 13    | 12    | 11    | 10    | 9     | 8           | FFh           |       |
| 5Ah              | R/W        | Tach4 Minimum LSB            | 7           | 6     | 5     | 4     | 3     | 2     | 1     | 0           | FFh           |       |
| 5Bh              | R/W        | Tach4 Minimum MSB            | 15          | 14    | 13    | 12    | 11    | 10    | 9     | 8           | FFh           |       |
| 5Ch              | R/W        | Fan1 Configuration           | ZON2        | ZON1  | ZON0  | INV   | RES   | SPIN2 | SPIN1 | SPIN0       | 62h           | ✓     |
| 5Dh              | R/W        | Fan2 Configuration           | ZON2        | ZON1  | ZON0  | INV   | RES   | SPIN2 | SPIN1 | SPIN0       | 62h           | ✓     |
| 5Eh              | R/W        | Fan3 Configuration           | ZON2        | ZON1  | ZON0  | INV   | RES   | SPIN2 | SPIN1 | SPIN0       | 62h           | ✓     |
| 5Fh              | R/W        | Fan1 Range/Frequency         | RAN3        | RAN2  | RAN1  | RAN0  | HLFRQ | FRQ2  | FRQ1  | FRQ0        | C4h           | ✓     |
| 60h              | R/W        | Fan2 Range/Frequency         | RAN3        | RAN2  | RAN1  | RAN0  | HLFRQ | FRQ2  | FRQ1  | FRQ0        | C4h           | ✓     |

| Register Address | Read/Write | Register Name                  | Bit 7 (MSB) | Bit 6 | Bit 5  | Bit 4  | Bit 3 | Bit 2 | Bit 1 | Bit 0 (LSB) | Default Value | Lock? |
|------------------|------------|--------------------------------|-------------|-------|--------|--------|-------|-------|-------|-------------|---------------|-------|
| 61h              | R/W        | Fan3 Range/Frequency           | RAN3        | RAN2  | RAN1   | RAN0   | HLFRQ | FRQ2  | FRQ1  | FRQ0        | C4h           | ✓     |
| 62h              | R/W        | Min/Off, Zone1 Spike Smoothing | OFF3        | OFF2  | OFF1   | RES    | ZN1E  | ZN1-2 | ZN1-1 | ZN1-0       | 00H           | ✓     |
| 63h              | R/W        | Zone2, Zone3 Spike Smoothing   | ZN2E        | ZN2-2 | ZN2-1  | ZN2-0  | ZN3E  | ZN3-2 | ZN3-1 | ZN3-0       | 00h           | ✓     |
| 64h              | R/W        | Fan1 PWM Minimum               | 7           | 6     | 5      | 4      | 3     | 2     | 1     | 0           | 80h           | ✓     |
| 65h              | R/W        | Fan2 PWM Minimum               | 7           | 6     | 5      | 4      | 3     | 2     | 1     | 0           | 80h           | ✓     |
| 66h              | R/W        | Fan3 PWM Minimum               | 7           | 6     | 5      | 4      | 3     | 2     | 1     | 0           | 80h           | ✓     |
| 67h              | R/W        | Zone1 Fan Temp Limit           | 7           | 6     | 5      | 4      | 3     | 2     | 1     | 0           | 5Ah           | ✓     |
| 68h              | R/W        | Zone2 Fan Temp Limit           | 7           | 6     | 5      | 4      | 3     | 2     | 1     | 0           | 5Ah           | ✓     |
| 69h              | R/W        | Zone3 Fan Temp Limit           | 7           | 6     | 5      | 4      | 3     | 2     | 1     | 0           | 5Ah           | ✓     |
| 6Ah              | R/W        | Zone1 Temp Absolute Limit      | 7           | 6     | 5      | 4      | 3     | 2     | 1     | 0           | 64h           | ✓     |
| 6Bh              | R/W        | Zone2 Temp Absolute Limit      | 7           | 6     | 5      | 4      | 3     | 2     | 1     | 0           | 64h           | ✓     |
| 6Ch              | R/W        | Zone3 Temp Absolute Limit      | 7           | 6     | 5      | 4      | 3     | 2     | 1     | 0           | 64h           | ✓     |
| 6Dh              | R/W        | Zone1, Zone2 Hysteresis        | H1-3        | H1-2  | H1-1   | H1-0   | H2-3  | H2-2  | H2-1  | H2-0        | 44h           | ✓     |
| 6Eh              | R/W        | Zone3 Hysteresis               | H3-3        | H3-2  | H3-1   | H3-0   | RES   | RES   | RES   | RES         | 40h           | ✓     |
| 6Fh              | R/W        | XOR Test Tree Enable           | RES         | RES   | RES    | RES    | RES   | RES   | RES   | XEN         | 00h           | ✓     |
| 74h              | R/W        | Tach Monitor Mode              | RES         | RES   | T3/4-1 | T3/4-0 | T2-1  | T2-0  | T1-1  | T1-0        | 00h           |       |

| Register Address | Read/Write | Register Name    | Bit 7 (MSB) | Bit 6 | Bit 5 | Bit 4 | Bit 3 | Bit 2   | Bit 1   | Bit 0 (LSB) | Default Value | Lock? |
|------------------|------------|------------------|-------------|-------|-------|-------|-------|---------|---------|-------------|---------------|-------|
| 75h              | R/W        | Fan Spin-up Mode | RES         | RES   | RES   | RES   | RES   | PWM3 SU | PWM2 SU | PWM1 SU     | 7h            | ✓     |

#### 4.1 Register 20-24h: Voltage Reading

| Register Address | Read/Write | Register Name | Bit 7 (MSB) | Bit 6 | Bit 5 | Bit 4 | Bit 3 | Bit 2 | Bit 1 | Bit 0 (LSB) | Default Value |
|------------------|------------|---------------|-------------|-------|-------|-------|-------|-------|-------|-------------|---------------|
| 20h              | R          | 2.5V          | 7           | 6     | 5     | 4     | 3     | 2     | 1     | 0           | N/A           |
| 21h              | R          | VCCP          | 7           | 6     | 5     | 4     | 3     | 2     | 1     | 0           | N/A           |
| 22h              | R          | 3.3V          | 7           | 6     | 5     | 4     | 3     | 2     | 1     | 0           | N/A           |
| 23h              | R          | 5V            | 7           | 6     | 5     | 4     | 3     | 2     | 1     | 0           | N/A           |
| 24h              | R          | 12V           | 7           | 6     | 5     | 4     | 3     | 2     | 1     | 0           | N/A           |

The Register Names define the typical input voltage at which the reading is  $\frac{3}{4}$  full scale or C0h.

The Voltage Reading registers are updated automatically by the LM96000 at a minimum frequency of 4 Hz. These registers are read only — a write to these registers has no effect.

#### 4.2 Register 25-27h: Temperature Reading

| Register Address | Read/Write | Register Name          | Bit 7 (MSB) | Bit 6 | Bit 5 | Bit 4 | Bit 3 | Bit 2 | Bit 1 | Bit 0 (LSB) | Default Value |
|------------------|------------|------------------------|-------------|-------|-------|-------|-------|-------|-------|-------------|---------------|
| 25h              | R          | Processor (Zone1) Temp | 7           | 6     | 5     | 4     | 3     | 2     | 1     | 0           | N/A           |
| 26h              | R          | Internal (Zone2) Temp  | 7           | 6     | 5     | 4     | 3     | 2     | 1     | 0           | N/A           |
| 27h              | R          | Remote (Zone3) Temp    | 7           | 6     | 5     | 4     | 3     | 2     | 1     | 0           | N/A           |

The Temperature Reading registers reflect the current temperatures of the internal and remote diodes. Processor (Zone1) Temp register reports the temperature measured by the thermal diode connected to the Remote1– and Remote1+ pins, Remote (Zone3) Temp register reports the temperature measured by the thermal diode connected to the Remote2– and Remote2+ pins, and the Internal (Zone2) Temp register reports the temperature measured by the internal (junction) temperature sensor. Temperatures are represented as 8 bit, 2's complement, signed numbers, in Celsius, as shown below in Table 1. The Temperature Reading register will return a value of 80h if the remote diode pins are not used by the board designer or are not functioning properly. This reading will cause the zone limit bit(s) (bits 6 and 4) in the Interrupt Status Register (41h) and the remote diode fault status bit(s) (bit 6 or 7) in the Interrupt Status Register 2 (42h) to be set. The Temperature Reading registers are updated automatically by the LM96000 at a minimum frequency of 4 Hz. These registers are read only — a write to these registers has no effect.

**Table 1. Temperature vs Register Reading**

| Temperature | Reading (Dec) | Reading (Hex) |
|-------------|---------------|---------------|
| -127°C      | -127          | 81h           |
| ·           | ·             | ·             |
| ·           | ·             | ·             |
| ·           | ·             | ·             |
| -50°C       | -50           | CEh           |
| ·           | ·             | ·             |
| ·           | ·             | ·             |
| ·           | ·             | ·             |
| 0°C         | 0             | 00h           |

**Table 1. Temperature vs Register Reading (continued)**

| Temperature    | Reading (Dec) | Reading (Hex) |
|----------------|---------------|---------------|
| ⋮              | ⋮             | ⋮             |
| 127°C          | 127           | 7Fh           |
| (SENSOR ERROR) |               | 80h           |

### 4.3 Register 28-2Fh: Fan Tachometer Reading

| Register Address | Read/Write | Register Name                | Bit 7 (MSB) | Bit 6   | Bit 5   | Bit 4   | Bit 3   | Bit 2   | Bit 1       | Bit 0 (LSB) | Default Value |
|------------------|------------|------------------------------|-------------|---------|---------|---------|---------|---------|-------------|-------------|---------------|
| 28h<br>29h       | R<br>R     | Tach1<br>LSB<br>Tach1<br>MSB | 7<br>15     | 6<br>14 | 5<br>13 | 4<br>12 | 3<br>11 | 2<br>10 | LEVEL1<br>9 | LEVEL0<br>8 | N/A<br>N/A    |
| 2Ah<br>2Bh       | R<br>R     | Tach2<br>LSB<br>Tach2<br>MSB | 7<br>15     | 6<br>14 | 5<br>13 | 4<br>12 | 3<br>11 | 2<br>10 | LEVEL1<br>9 | LEVEL0<br>8 | N/A<br>N/A    |
| 2Ch<br>2Dh       | R<br>R     | Tach3<br>LSB<br>Tach3<br>MSB | 7<br>15     | 6<br>14 | 5<br>13 | 4<br>12 | 3<br>11 | 2<br>10 | LEVEL1<br>9 | LEVEL0<br>8 | N/A<br>N/A    |
| 2Eh<br>2Fh       | R<br>R     | Tach4<br>LSB<br>Tach4<br>MSB | 7<br>15     | 6<br>14 | 5<br>13 | 4<br>12 | 3<br>11 | 2<br>10 | LEVEL1<br>9 | LEVEL0<br>8 | N/A<br>N/A    |

The Fan Tachometer Reading registers contain the number of 11.111  $\mu$ s periods (90 kHz) between full fan revolutions. The results are based on the time interval of two tachometer pulses, since most fans produce two tachometer pulses per full revolution. These registers will be updated at least once every second.

The value, for each fan, is represented by a 16-bit unsigned number.

The Fan Tachometer Reading registers will always return an accurate fan tachometer measurement, even when a fan is disabled or non-functional.

The least two significant bits (LEVEL1 and LEVEL2) of the least significant byte are used to indicate the accuracy level of the tachometer reading. The accuracy ranges from most to least accurate. [LEVEL1:LEVEL2]=11 indicates a most accurate value, [LEVEL1:LEVEL2]=01 indicates the least accurate value and [LEVEL1:LEVEL2]=00 is reserved for future use.

FF FFh indicates that the fan is not spinning, or that the tachometer input is not connected to a valid signal. These registers are read only — a write to these registers has no effect.

When the LSByte of the LM96000 16-bit register is read, the other byte (MSByte) is latched at the current value until it is read. At the end of the MSByte read the Fan Tachometer Reading registers are updated.

During spin-up, the PWM duty cycle reported is 0%.

#### 4.4 Register 30-32h: Current PWM Duty

| Register Address | Read/Write | Register Name         | Bit 7 (MSB) | Bit 6 | Bit 5 | Bit 4 | Bit 3 | Bit 2 | Bit 1 | Bit 0 (LSB) | Default Value |
|------------------|------------|-----------------------|-------------|-------|-------|-------|-------|-------|-------|-------------|---------------|
| 30h              | R/W        | Fan1 Current PWM Duty | 7           | 6     | 5     | 4     | 3     | 2     | 1     | 0           | N/A           |
| 31h              | R/W        | Fan2 Current PWM Duty | 7           | 6     | 5     | 4     | 3     | 2     | 1     | 0           | N/A           |
| 32h              | R/W        | Fan3 Current PWM Duty | 7           | 6     | 5     | 4     | 3     | 2     | 1     | 0           | N/A           |

The Current PWM Duty registers store the current duty cycle at each PWM output. At initial power-on, the PWM duty cycle is 100% and thus, when read, this register will return FFh. After the Ready/Lock/Start/Override register Start bit is set, this register and the PWM signals will be updated based on the algorithm described in the [Auto Fan Control Operating Mode](#) section.

When read, the Current PWM Duty registers return the current PWM duty cycle. These registers are read only unless the fan is in manual (test) mode, in which case a write to these registers will directly control the PWM duty cycle for each fan. The PWM duty cycle is represented as shown in the following table.

| Current Duty | Value (Decimal) | Value (Hex) |
|--------------|-----------------|-------------|
| 0%           | 0               | 00h         |
| 0.3922%      | 1               | 01h         |
| .            | .               | .           |
| .            | .               | .           |
| 25.098%      | 64              | 40h         |
| .            | .               | .           |
| .            | .               | .           |
| 50.196%      | 128             | 80h         |
| .            | .               | .           |
| .            | .               | .           |
| 100%         | 255             | FFh         |

#### 4.5 Register 3Eh: Company ID

| Register Address | Read/Write | Register Name | Bit 7 (MSB) | Bit 6 | Bit 5 | Bit 4 | Bit 3 | Bit 2 | Bit 1 | Bit 0 (LSB) | Default Value |
|------------------|------------|---------------|-------------|-------|-------|-------|-------|-------|-------|-------------|---------------|
| 3Eh              | R          | Company ID    | 7           | 6     | 5     | 4     | 3     | 2     | 1     | 0           | 01h           |

The company ID register contains the company identification number. For Texas Instruments this is 01h. This number is assigned by Intel and is a method for uniquely identifying the part manufacturer. This register is read only — a write to this register has no effect.

#### 4.6 Register 3Fh: Version/Stepping

| Register Address | Read/Write | Register Name    | Bit 7 (MSB) | Bit 6 | Bit 5 | Bit 4 | Bit 3 | Bit 2 | Bit 1 | Bit 0 (LSB) | Default Value |
|------------------|------------|------------------|-------------|-------|-------|-------|-------|-------|-------|-------------|---------------|
| 3Fh              | R          | Version/Stepping | VER3        | VER2  | VER1  | VER0  | STP3  | STP2  | STP1  | STP0        | 68h           |



The four least significant bits of the Version/Stepping register [3.0] contain the current stepping of the LM96000 silicon. The four most significant bits [7.4] reflect the LM96000 base device number when set to a value of 0110b. For the LM96000, this register will read 01101000b (68h). Bit 3 of the stepping field is set to indicate that the LM96000 is a super-set of the LM85 family of products.

The register is used by application software to identify which device in the hardware monitor family of ASICs has been implemented in the given system. Based on this information, software can determine which registers to read from and write to. Further, application software may use the current stepping to implement work-arounds for bugs found in a specific silicon stepping.

This register is read only — a write to this register has no effect.

#### 4.7 Register 40h: Ready/Lock/Start/Override

| Register Address | Read/Write | Register Name             | Bit 7 (MSB) | Bit 6 | Bit 5 | Bit 4 | Bit 3 | Bit 2 | Bit 1 | Bit 0 (LSB) | Default Value |
|------------------|------------|---------------------------|-------------|-------|-------|-------|-------|-------|-------|-------------|---------------|
| 40h              | R/W        | Ready/Lock/Start/Override | RES         | RES   | RES   | RES   | OVRID | READY | LOCK  | START       | 00h           |

| Bit | Name     | R/W | Default | Description  |
|-----|----------|-----|---------|--|
| 0   | START    | R/W | 0       | When software writes a 1 to this bit, the LM96000 fan monitoring and PWM output control functions will use the values set in the fan control limit and parameter registers (address 5Ch through 6Eh). Before this bit is set, the LM96000 will not update the used register values, the default values will remain in effect. Whenever this bit is set to 0, the LM96000 fan monitoring and PWM output control functions use the default fan limits and parameters, regardless of the current values in the limit and parameter registers (5C through 6Eh). The LM96000 will preserve the values currently stored in the limit and parameter registers when this bit is set or cleared. This bit is not effected by the state of the Lock bit.<br>It is expected that all limit and parameter registers will be set by BIOS or application software prior to setting this bit. |
| 1   | LOCK     | R/W | 0       | Setting this bit to 1 locks specified limit and parameter registers. Once this bit is set, limit and parameter registers become read only and will remain locked until the device is powered off. This register bit becomes read only once it is set.  |
| 2   | READY    | R   | 0       | The LM96000 sets this bit automatically after the part is fully powered up, has completed the power-up-reset process, and after all A/D converters are properly functioning.   |
| 3   | OVRID    | R/W |         | If this bit is set to 1, all PWM outputs will go to 100% duty cycle regardless of whether or not the lock bit is set. The OVRID bit has precedence over the disabled mode. Therefore, when OVRID is set the PWM will go to 100% even if the PWM is in the disabled mode.   |
| 4–7 | Reserved | R   | 0       | Reserved   |

#### 4.8 Register 41h: Interrupt Status Register 1

| Register Address | Read/Write | Register Name      | Bit 7 (MSB) | Bit 6 | Bit 5 | Bit 4 | Bit 3 | Bit 2 | Bit 1 | Bit 0 (LSB) | Default Value |
|------------------|------------|--------------------|-------------|-------|-------|-------|-------|-------|-------|-------------|---------------|
| 41h              | R          | Interrupt Status 1 | ERR         | ZN3   | ZN2   | ZN1   | 5V    | 3.3V  | VCCP  | 2.5V        | 00h           |

The Interrupt Status Register 1 bits will be automatically set, by the LM96000, whenever a fault condition is detected. A fault condition is detected whenever a measured value is outside the window set by its limit registers. ZN3 and ZN1 bits will be set when a diode fault condition, such as a disconnec or short, is detected. More than one fault may be indicated in the interrupt register when read. This register will hold a set bit(s) until the event is read by software. The contents of this register will be cleared (set to 0) automatically by the LM96000 after it is read by software, if the fault condition is no longer exists. Once set, the Interrupt Status Register 1 bits will remain set until a read event occurs, even if the fault condition no longer exists

This register is read only — a write to this register has no effect.

| Bit | Name                       | R/W | Default | Description   |
|-----|----------------------------|-----|---------|---|
| 0   | 2.5V_Error                 | R   | 0       | The LM96000 automatically sets this bit to 1 when the 2.5V input voltage is less than or equal to the limit set in the 2.5V Low Limit register or greater than the limit set in the 2.5V High Limit register.   |
| 1   | VCCP_Error                 | R   | 0       | The LM96000 automatically sets this bit to 1 when the VCCP input voltage is less than or equal to the limit set in the VCCP Low Limit register or greater than the limit set in the VCCP High Limit register.   |
| 2   | 3.3V_Error                 | R   | 0       | The LM96000 automatically sets this bit to 1 when the 3.3V input voltage is less than or equal to the limit set in the 3.3V Low Limit register or greater than the limit set in the 3.3V High Limit register.   |
| 3   | 5V_Error                   | R   | 0       | The LM96000 automatically sets this bit to 1 when the 5V input voltage is less than or equal to the limit set in the 5V Low Limit register or greater than the limit set in the 5V High Limit register.   |
| 4   | Zone 1 Limit Exceeded      | R   | 0       | The LM96000 automatically sets this bit to 1 when the temperature input measured by the Remote1– and Remote1+ inputs is less than or equal to the limit set in the Processor (Zone1) Low Temp register or more than the limit set in the Processor (Zone1) High Temp register. This bit will be set when a diode fault is detected. |
| 5   | Zone 2 Limit Exceeded      | R   | 0       | The LM96000 automatically sets this bit to 1 when the temperature input measured by the internal temperature sensor is less than or equal to the limit set in the Internal (Zone2) Low Temp register or greater than the limit set in the Internal (Zone2) High Temp register.  |
| 6   | Zone 3 Limit Exceeded      | R   | 0       | The LM96000 automatically sets this bit to 1 when the temperature input measured by the Remote2– and Remote2+ inputs is less than or equal to the limit set in the Internal (Zone2) Low Temp register or greater than the limit set in the Remote (Zone3) High Temp register. This bit will be set when a diode fault is detected.  |
| 7   | Error in Status Register 2 | R   | 0       | If there is a set bit in Status Register 2, this bit will be set to 1.  |

#### 4.9 Register 42h: Interrupt Status Register 2

| Register Address | Read/Write | Register Name               | Bit 7 (MSB) | Bit 6 | Bit 5 | Bit 4 | Bit 3 | Bit 2 | Bit 1 | Bit 0 (LSB) | Default Value |
|------------------|------------|-----------------------------|-------------|-------|-------|-------|-------|-------|-------|-------------|---------------|
| 42h              | R          | Interrupt Status Register 2 | ERR2        | ERR1  | FAN4  | FAN3  | FAN2  | FAN1  | RES   | 12V         | 00h           |

The Interrupt Status Register 2 bits will be automatically set, by the LM96000, whenever a fault condition is detected. Interrupt Status Register 2 identifies faults caused by temperature sensor error, fan speed dropping below minimum set by the tachometer minimum register, the 12V input voltage going outside the window set by its limit registers. Interrupt Status Register 2 will hold a set bit until the event is read by software. The contents of this register will be cleared (set to 0) automatically by the LM96000 after it is ready by software, if fault condition no longer exists. Once set, the Interrupt Status Register 2 bits will remain set until a read event occurs, even if the fault no longer exists.

This register is read only — a write to this register has no effect.

| Bit | Name         | R/W | Default | Description   |
|-----|--------------|-----|---------|---|
| 0   | +12V_Error   | R   | 0       | The LM96000 automatically sets this bit to 1 when the 12V input voltage either falls below the limit set in the 12V Low Limit register or exceeds the limit set in the 12V High Limit register. |
| 1   | Reserved     | R   | 0       | Reserved  |
| 2   | Fan1 Stalled | R   | 0       | The LM96000 automatically sets this bit to 1 when the TACH1 input reading is above the value set in the Tach1 Minimum MSB and LSB registers.  |
| 3   | Fan2 Stalled | R   | 0       | The LM96000 automatically sets this bit to 1 when the TACH2 input reading is above the value set in the Tach2 Minimum MSB and LSB registers.  |
| 4   | Fan3 Stalled | R   | 0       | The LM96000 automatically sets this bit to 1 when the TACH3 input reading is above the value set in the Tach3 Minimum MSB and LSB registers.  |
| 5   | Fan4 Stalled | R   | 0       | The LM96000 automatically sets this bit to 1 when the TACH4 input reading is above the value set in the Tach4 Minimum MSB and LSB registers.  |

| Bit | Name                 | R/W | Default | Description  |
|-----|----------------------|-----|---------|--|
| 6   | Remote Diode 1 Fault | R   | 0       | The LM96000 automatically sets this bit to 1 when there is either a short or open circuit fault on the Remote1+ or Remote1– thermal diode input pins. A diode fault will also set bit 4, Diode 1 Zone Limit bit, of Interrupt Status Register 1. |
| 7   | Remote Diode 2 Fault | R   | 0       | The LM96000 automatically sets this bit to 1 when there is either a short or open circuit fault on the Remote2+ or Remote2– thermal diode input pins. A diode fault will also set bit 6, Diode 2 Zone Limit bit, of Interrupt Status Register 1. |

#### 4.10 Register 43h: VID

| Register Address | Read/Write | Register Name | Bit 7 (MSB) | Bit 6 | Bit 5 | Bit 4 | Bit 3 | Bit 2 | Bit 1 | Bit 0 (LSB) | Default Value |
|------------------|------------|---------------|-------------|-------|-------|-------|-------|-------|-------|-------------|---------------|
| 43h              | R          | VID0–4        | RES         | RES   | RES   | VID4  | VID3  | VID2  | VID1  | VID0        |               |

The VID register contains the values of LM96000 VID0–VID4 input pins. This register indicates the status of the VID lines that interconnect the processor to the Voltage Regulator Module (VRM). Software uses the information in this register to determine the voltage that the processor is designed to operate at. With this information, software can then dynamically determine the correct values to place in the VCCP Low Limit and VCCP High Limit registers.

This register is read only — a write to this register has no effect.

#### 4.11 Registers 44–4Dh: Voltage Limit Registers

| Register Address | Read/Write | Register Name   | Bit 7 (MSB) | Bit 6 | Bit 5 | Bit 4 | Bit 3 | Bit 2 | Bit 1 | Bit 0 (LSB) | Default Value |
|------------------|------------|-----------------|-------------|-------|-------|-------|-------|-------|-------|-------------|---------------|
| 44h              | R/W        | 2.5V Low Limit  | 7           | 6     | 5     | 4     | 3     | 2     | 1     | 0           | 00h           |
| 45h              | R/W        | 2.5V High Limit | 7           | 6     | 5     | 4     | 3     | 2     | 1     | 0           | FFh           |
| 46h              | R/W        | VCCP Low Limit  | 7           | 6     | 5     | 4     | 3     | 2     | 1     | 0           | 00h           |
| 47h              | R/W        | VCCP High Limit | 7           | 6     | 5     | 4     | 3     | 2     | 1     | 0           | FFh           |
| 48h              | R/W        | 3.3V Low Limit  | 7           | 6     | 5     | 4     | 3     | 2     | 1     | 0           | 00h           |
| 49h              | R/W        | 3.3V High Limit | 7           | 6     | 5     | 4     | 3     | 2     | 1     | 0           | FFh           |
| 4Ah              | R/W        | 5V Low Limit    | 7           | 6     | 5     | 4     | 3     | 2     | 1     | 0           | 00h           |
| 4Bh              | R/W        | 5V High Limit   | 7           | 6     | 5     | 4     | 3     | 2     | 1     | 0           | FFh           |
| 4Ch              | R/W        | 12V Low Limit   | 7           | 6     | 5     | 4     | 3     | 2     | 1     | 0           | 00h           |
| 4Dh              | R/W        | 12V High Limit  | 7           | 6     | 5     | 4     | 3     | 2     | 1     | 0           | FFh           |

If a voltage input either exceeds the value set in the voltage high limit register or falls below the value set in the voltage low limit register, the corresponding bit will be set automatically by the LM96000 in the interrupt status registers (41–42h). Voltages are presented in the registers at  $\frac{3}{4}$  full scale for the nominal voltage, meaning that at nominal voltage, each input will be C0h, as shown in [Table 2](#).

Setting the Ready/Lock/Start/Override register Lock bit has no effect on these registers.

**Table 2. Voltage Limits vs Register Setting**

| Input | Nominal Voltage | Register Setting at Nominal Voltage | Maximum Voltage | Register Reading at Maximum Voltage | Minimum Voltage | Register Reading at Minimum Voltage |
|-------|-----------------|-------------------------------------|-----------------|-------------------------------------|-----------------|-------------------------------------|
| 2.5V  | 2.5V            | C0h                                 | 3.32V           | FFh                                 | 0V              | 00h                                 |
| VCCP  | 2.25V           | C0h                                 | 3.00V           | FFh                                 | 0V              | 00h                                 |
| 3.3V  | 3.3V            | C0h                                 | 4.38V           | FFh                                 | 3.0V            | AFh                                 |
| 5V    | 5.0V            | C0h                                 | 6.64V           | FFh                                 | 0V              | 00h                                 |
| 12V   | 12.0V           | C0h                                 | 16.00V          | FFh                                 | 0V              | 00h                                 |

**4.12 Registers 4E-53h: Temperature Limit Registers**

| Register Address | Read/Write | Register Name               | Bit 7 (MSB) | Bit 6 | Bit 5 | Bit 4 | Bit 3 | Bit 2 | Bit 1 | Bit 0 (LSB) | Default Value |
|------------------|------------|-----------------------------|-------------|-------|-------|-------|-------|-------|-------|-------------|---------------|
| 4Eh              | R/W        | Processor (Zone1) Low Temp  | 7           | 6     | 5     | 4     | 3     | 2     | 1     | 0           | 81h           |
| 4Fh              | R/W        | Processor (Zone1) High Temp | 7           | 6     | 5     | 4     | 3     | 2     | 1     | 0           | 7Fh           |
| 50h              | R/W        | Processor (Zone2) Low Temp  | 7           | 6     | 5     | 4     | 3     | 2     | 1     | 0           | 81h           |
| 51h              | R/W        | Processor (Zone2) High Temp | 7           | 6     | 5     | 4     | 3     | 2     | 1     | 0           | 7Fh           |
| 52h              | R/W        | Processor (Zone3) Low Temp  | 7           | 6     | 5     | 4     | 3     | 2     | 1     | 0           | 81h           |
| 53h              | R/W        | Processor (Zone3) High Temp | 7           | 6     | 5     | 4     | 3     | 2     | 1     | 0           | 7Fh           |

If an external temperature input or the internal temperature sensor either exceeds the value set in the corresponding high limit register or falls below the value set in the corresponding low limit register, the corresponding bit will be set automatically by the LM96000 in the Interrupt Status Register 1 (41h). For example, if the temperature read from the Remote1- and Remote1+ inputs exceeds the Processor (Zone1) High Temp register limit setting, Interrupt Status Register 1 ZN1 bit will be set. The temperature limits in these registers are represented as 8 bit, 2's complement, signed numbers in Celsius, as shown below in [Table 3](#).

Setting the Ready/Lock/Start/Override register Lock bit has no effect on these registers.

**Table 3. Temperature Limits vs Register Settings**

| Temperature | Reading (Decimal) | Reading (Hex) |
|-------------|-------------------|---------------|
| -127°C      | -127              | 81h           |
| .           | .                 | .             |
| .           | .                 | .             |
| .           | .                 | .             |
| -50°C       | -50               | CEh           |
| .           | .                 | .             |
| .           | .                 | .             |
| .           | .                 | .             |
| 0°C         | 0                 | 00h           |

**Table 3. Temperature Limits vs Register Settings (continued)**

| Temperature | Reading (Decimal) | Reading (Hex) |
|-------------|-------------------|---------------|
| ⋮           | ⋮                 | ⋮             |
| 50°C        | 50                | 32h           |
| ⋮           | ⋮                 | ⋮             |
| 127°C       | 127               | 7Fh           |

**4.13 Registers 54-5Bh: Fan Tachometer Low Limit**

| Register Address | Read/Write | Register Name                       | Bit 7 (MSB) | Bit 6 | Bit 5 | Bit 4 | Bit 3 | Bit 2 | Bit 1 | Bit 0 (LSB) | Default Value |
|------------------|------------|-------------------------------------|-------------|-------|-------|-------|-------|-------|-------|-------------|---------------|
| 54h              | R/W        | Tach1                               | 7           | 6     | 5     | 4     | 3     | 2     | 1     | 0           | FFh           |
| 55h              | R/W        | Minimum LSB<br>Tach1<br>Minimum MSB | 15          | 14    | 13    | 12    | 11    | 10    | 9     | 8           | FFh           |
| 56h              | R/W        | Tach2                               | 7           | 6     | 5     | 4     | 3     | 2     | 1     | 0           | FFh           |
| 57h              | R/W        | Minimum LSB<br>Tach2<br>Minimum MSB | 15          | 14    | 13    | 12    | 11    | 10    | 9     | 8           | FFh           |
| 58h              | R/W        | Tach3                               | 7           | 6     | 5     | 4     | 3     | 2     | 1     | 0           | FFh           |
| 59h              | R/W        | Minimum LSB<br>Tach3<br>Minimum MSB | 15          | 14    | 13    | 12    | 11    | 10    | 9     | 8           | FFh           |
| 5Ah              | R/W        | Tach4                               | 7           | 6     | 5     | 4     | 3     | 2     | 1     | 0           | FFh           |
| 5Bh              | R/W        | Minimum LSB<br>Tach4<br>Minimum MSB | 15          | 14    | 13    | 12    | 11    | 10    | 9     | 8           | FFh           |

The Fan Tachometer Low Limit registers indicate the tachometer reading under which the corresponding bit will be set in the Interrupt Status Register 2 register. In Auto Fan Control mode, the fan can run at low speeds, so care should be taken in software to ensure that the limit is high enough not to cause sporadic alerts. The fan tachometer will not cause a bit to be set in Interrupt Status Register 2 if the current value in Current PWM Duty registers is 00h or if the fan 1 disabled via the Fan Configuration Register. Interrupts will never be generated for a fan if its minimum is set to FF FFh.

Given the insignificance of Bit 0 and Bit 1, these bits could be programmed to remember which fan is which, as follows.

| Fan           | Bit 1 | Bit 0 |
|---------------|-------|-------|
| CPU           | 0     | 0     |
| Memory        | 0     | 1     |
| Chassis Front | 1     | 0     |
| Chassis Rear  | 1     | 1     |

Setting the Ready/Lock/Start/Override register Lock bit has no effect these registers.

#### 4.14 Registers 5C-5Eh: Fan Configuration

| Register Address | Read/Write | Register Name      | Bit 7 (MSB) | Bit 6 | Bit 5 | Bit 4 | Bit 3 | Bit 2 | Bit 1 | Bit 0 (LSB) | Default Value | Lock? |
|------------------|------------|--------------------|-------------|-------|-------|-------|-------|-------|-------|-------------|---------------|-------|
| 5Ch              | R/W        | Fan1 Configuration | ZON2        | ZON1  | ZON0  | INV   | RES   | SPIN2 | SPIN1 | SPIN0       | 62h           | ✓     |
| 5Dh              | R/W        | Fan2 Configuration | ZON2        | ZON1  | ZON0  | INV   | RES   | SPIN2 | SPIN1 | SPIN0       | 62h           | ✓     |
| 5Eh              | R/W        | Fan3 Configuration | ZON2        | ZON1  | ZON0  | INV   | RES   | SPIN2 | SPIN1 | SPIN0       | 62h           | ✓     |

This register becomes Read Only when the Ready/Lock/Start/Override register Lock bit is set. Any further attempts to write to this register shall have no effect. After power up the default value is used whenever the Ready/Lock/Start/Override register Start bit is cleared even though modifications to this register are possible.

#### Bits [7:5] Zone/Mode

Bits [7:5] of the Fan Configuration registers associate each fan with a temperature sensor. When in Auto Fan Mode the fan will be assigned to a zone, and its PWM duty cycle will be adjusted according to the temperature of that zone. If 'Hottest' option is selected (101 or 110), the fan will be controlled by the hottest of zones 2 and 3, or of zones 1, 2, and 3. To determine the 'Hottest' zone the PWM level for each zone is calculated then the the highest PWM value is selected. When in manual control mode, the Current PWM duty registers (30h-32h) become Read/Write. It is then possible to control the PWM outputs with software by writing to these registers. When the fan is disabled (100) the corresponding PWM output should be driven low (or high, if inverted).

|   |
|---|
| Zone 1: External Diode 1 (processor)<br>Zone 2: Internal Sensor<br>Zone 3: External Diode 2 |
|---|

**Table 4. Fan Zone Setting**

| ZON[2:0] | Fan Configuration                          |
|----------|--|
| 000      | Fan on zone 1 auto                         |
| 001      | Fan on zone 2 auto                         |
| 010      | Fan on zone 3 auto                         |
| 011      | Fan always on full                         |
| 100      | Fan disabled                               |
| 101      | Fan controlled by hottest of zones 2, 3    |
| 110      | Fan controlled by hottest of zones 1, 2, 3 |
| 111      | Fan manually controlled (Test Mode)        |

#### Bit [4] PWM Invert

Bit [4] inverts the PWM output. If set to 0, 100% duty cycle will yield an output that is always high. If set to 1, 100% duty cycle will yield an output that is always low.

#### Bit [3] Reserved

#### Bits [2:0] Spin Up

Bits [2:0] specify the 'spin up' time for the fan. When a fan is being started from a stationary state, the PWM output is held at 100% duty cycle for the time specified in the [Table 5](#) below before scaling to a lower speed.

Table 5. Fan Spin-Up Register

| SPIN[2:0] | Spin Up Time |
|-----------|--------------|
| 000       | 0 sec        |
| 001       | 100 ms       |
| 010       | 250 ms       |
| 011       | 400 ms       |
| 100       | 700 ms       |
| 101       | 1000 ms      |
| 110       | 2000 ms      |
| 111       | 4000 ms      |

4.15 Registers 5F-61h: Auto Fan Speed Range, PWM Frequency

| Register Address | Read/Write | Register Name              | Bit 7 (MSB) | Bit 6 | Bit 5 | Bit 4 | Bit 3 | Bit 2 | Bit 1 | Bit 0 (LSB) | Default Value | Lock? |
|------------------|------------|----------------------------|-------------|-------|-------|-------|-------|-------|-------|-------------|---------------|-------|
| 5Fh              | R/W        | Zone1 Range/Fan1 Frequency | RAN3        | RAN2  | RAN1  | RAN0  | HLFRQ | FRQ2  | FRQ1  | FRQ0        | C4h           | ✓     |
| 60h              | R/W        | Zone2 Range/Fan2 Frequency | RAN3        | RAN2  | RAN1  | RAN0  | HLFRQ | FRQ2  | FRQ1  | FRQ0        | C4h           | ✓     |
| 61h              | R/W        | Zone3 Range/Fan3 Frequency | RAN3        | RAN2  | RAN1  | RAN0  | HLFRQ | FRQ2  | FRQ1  | FRQ0        | C4h           | ✓     |

In Auto Fan Mode, when the temperature for a zone is above the Temperature Limit (Registers 67-69h) and below its Absolute Temperature Limit (Registers 6A-6Ch), the speed of a fan assigned to that zone is determined as follows.

When the temperature reaches the Fan Temp Limit for a zone, the PWM output assigned to that zone will be Fan PWM Minimum. Between Fan Temp Limit and (Fan Temp Limit + Range), the PWM duty cycle will increase linearly according to the temperature as shown in Figure 9 below. The PWM duty cycle will be 100% at (Fan Temp Limit + Range).

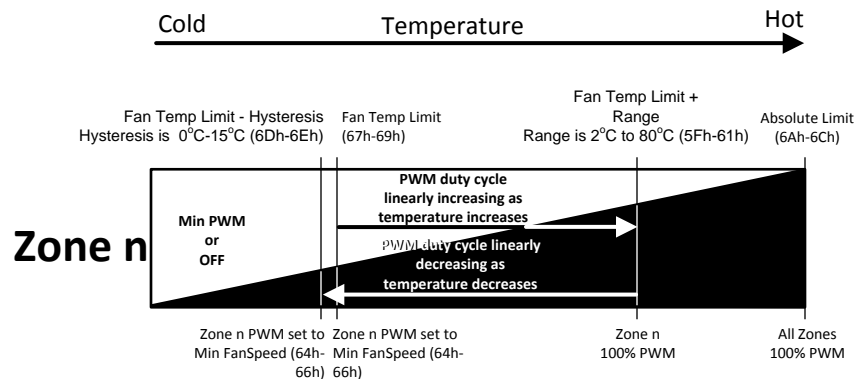


Figure 9. Fan Activity above Fan Temp Limit

**Example for PWM1 assigned to Zone 1:**

- Zone 1 Fan Temp Limit (Register 67h) is set to 50°C (32h).
- Range (Register 5Fh) is set to 8°C (6xh).
- Fan 1 PWM Minimum (Register 64h) is set to 50% (32h).

In this case, the PWM1 duty cycle will be 50% at 50°C.

Since (Zone 1 Fan Temp Limit) + (Zone 1 Range) = 50°C + 8°C = 58°C, the fan will run at 100% duty cycle when the temperature of the Zone 1 sensor reaches 58°C.

Since the midpoint of the fan control range is 54°C, and the median duty cycle is 75% (Halfway between the PWM Minimum and 100%), PWM1 duty cycle would be 75% at 54°C.

Above (Zone 1 Fan Temp Limit) + (Zone 1 Range), the duty cycle will be 100%.

**PWM frequency bits [3:0]**

The PWM frequency bits [3:0] determine the PWM frequency for the fan. The LM96000 has high and low frequency ranges for the PWM outputs, that are controlled by the HLFRQ bit.

PWM Frequency Selection (Default = 0011 = 30.04 Hz).

**Table 6. Register Setting vs PWM Frequency**

| HLFRQ | Freq [2:0] | PWM Frequency |
|-------|------------|---------------|
| 0     | 000        | 10.01 Hz      |
| 0     | 001        | 15.02 Hz      |
| 0     | 010        | 23.14 Hz      |
| 0     | 011        | 30.04 Hz      |
| 0     | 100        | 38.16 Hz      |
| 0     | 101        | 47.06 Hz      |
| 0     | 110        | 61.38 Hz      |
| 0     | 111        | 94.12 Hz      |
| 1     | 000        | 22.5 kHz      |
| 1     | 001        | 24 kHz        |
| 1     | 010        | 25.7 kHz      |
| 1     | 011        | 25.7 kHz      |
| 1     | 100        | 27.7 kHz      |
| 1     | 101        | 27.7 kHz      |
| 1     | 110        | 30 kHz        |
| 1     | 111        | 30 kHz        |

**Range Selection RAN [3:0]**

| RAN [3:0] | Range (°C) |
|-----------|------------|
| 0000      | 2          |
| 0001      | 2.5        |
| 0010      | 3.33       |
| 0011      | 4          |
| 0100      | 5          |
| 0101      | 6.67       |
| 0110      | 8          |
| 0111      | 10         |
| 1000      | 13.33      |
| 1001      | 16         |
| 1010      | 20         |
| 1011      | 26.67      |



| RAN [3:0] | Range (°C) |
|-----------|------------|
| 1100      | 32         |
| 1101      | 40         |
| 1110      | 53.33      |
| 1111      | 80         |

This register becomes Read Only when the Ready/Lock/Start/Override register Lock bit is set. Any further attempts to write to this register shall have no effect. After power up the default value is used whenever the Ready/Lock/Start/Override register Start bit is cleared even though modifications to this register are possible.

#### 4.16 Registers 62, 63h: Min/Off, Spike Smoothing

| Register Address | Read/Write | Register Name                  | Bit 7 (MSB) | Bit 6 | Bit 5 | Bit 4 | Bit 3 | Bit 2 | Bit 1 | Bit 0 (LSB) | Default Value | Lock? |
|------------------|------------|--------------------------------|-------------|-------|-------|-------|-------|-------|-------|-------------|---------------|-------|
| 62h              | R/W        | Min/Off, Zone1 Spike Smoothing | OFF3        | OFF2  | OFF1  | RES   | ZN1E  | ZN1-2 | ZN1-1 | ZN1-0       | 00h           | ✓     |
| 63h              | R/W        | Zone2, Zone3 Spike Smoothing   | ZN2E        | ZN2-2 | ZN2-1 | ZN2-0 | ZN3E  | ZN3-2 | ZN3-1 | ZN3-0       | 00h           | ✓     |

The Off/Min Bits [7:5] specify whether the duty cycle will be 0% or Minimum Fan Duty when the measured temperature falls below the Temperature LIMIT register setting (see table below). OFF1 applies to fan 1, OFF2 applies to fan 2, and OFF3 applies to fan 3.

If the Remote1 or Remote2 pins are connected to a processor or chipset, instantaneous temperature spikes may be sampled by the LM96000. If these spikes are not ignored, the CPU fan (if connected to LM96000) may turn on prematurely and produce unpleasant noise. For this reason, any zone that is connected to a chipset or processor should have spike smoothing enabled.

When spike smoothing is enabled, the temperature reading registers will still reflect the current value of the temperature — not the ‘smoothed out’ value.

ZN1E, ZN2E, and ZN3E enable temperature smoothing for zones 1, 2, and 3 respectively.  
 ZN1-2, ZN1-1, and ZN1-0 control smoothing time for Zone 1.  
 ZN2-2, ZN2-1, and ZN2-0 control smoothing time for Zone 2.  
 ZN3-2, ZN3-1, and ZN3-0 control smoothing time for Zone 3.

These registers become ready only when the Ready/Lock/Start/Override register Lock bit is set. Any further attempts to write to these registers shall have no effect.

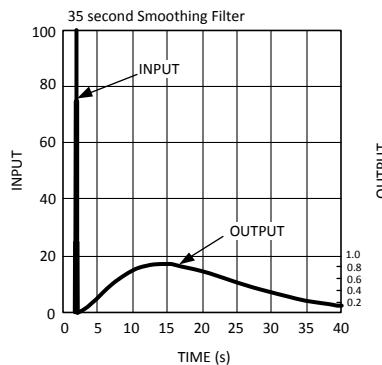


Figure 10. What LM96000 Auto Fan Control Sees With and Without Spike Smoothing

**Table 7. Spike Smoothing**

| ZN-X[2:0] | Spike Smoothed Over |
|-----------|---------------------|
| 000       | 35 seconds          |
| 001       | 17.6 seconds        |
| 010       | 11.8 seconds        |
| 011       | 7.0 seconds         |
| 100       | 4.4 seconds         |
| 101       | 3.0 seconds         |
| 110       | 1.6 seconds         |
| 111       | .8 seconds          |

**Table 8. PWM Output Below Limit Depending on Value of Off/Min**

| Off/Min | PWM Action                  |
|---------|-----------------------------|
| 0       | At 0% duty below LIMIT      |
| 1       | At Min PWM Duty below LIMIT |

**4.17 Registers 64-66h: Minimum PWM Duty Cycle**

| Register Address | Read/Write | Register Name    | Bit 7 (MSB) | Bit 6 | Bit 5 | Bit 4 | Bit 3 | Bit 2 | Bit 1 | Bit 0 (LSB) | Default Value | Lock? |
|------------------|------------|------------------|-------------|-------|-------|-------|-------|-------|-------|-------------|---------------|-------|
| 64h              | R/W        | Fan1 PWM Minimum | 7           | 6     | 5     | 4     | 3     | 2     | 1     | 0           | 80h           | ✓     |
| 65h              | R/W        | Fan2 PWM Minimum | 7           | 6     | 5     | 4     | 3     | 2     | 1     | 0           | 80h           | ✓     |
| 66h              | R/W        | Fan3 PWM Minimum | 7           | 6     | 5     | 4     | 3     | 2     | 1     | 0           | 80h           | ✓     |

These registers specify the minimum duty cycle that the PWM will output when the measured temperature reaches the Temperature LIMIT register setting.

This register becomes Read Only when the Ready/Lock/Start/Override register Lock bit is set. Any further attempts to write to this register shall have no effect. After power up the default value is used whenever the Ready/Lock/Start/Override register Start bit is cleared even though modifications to this register are possible.

**Table 9. PWM Duty vs Register Setting for PWM Low Frequency Range**

| Current Duty | Value (Decimal) | Value (Hex) |
|--------------|-----------------|-------------|
| 0%           | 0               | 00h         |
| 0.3922%      | 1               | 01h         |
| .            | .               | .           |
| .            | .               | .           |
| .            | .               | .           |
| 25.098%      | 64              | 40h         |
| .            | .               | .           |
| .            | .               | .           |
| .            | .               | .           |
| 50.196%      | 128             | 80h         |
| .            | .               | .           |
| .            | .               | .           |
| .            | .               | .           |
| 100%         | 255             | FF          |

**PWM Duty Cycle vs Register Setting for PWM High Frequency Range**

| 22.5KHz PWM Frequency    |                  |       |              |      |
|--------------------------|------------------|-------|--------------|------|
| PWM Duty Cycle Level (%) | Value in Decimal |       | Value in Hex |      |
| 0.00                     | 0                |       | 0            |      |
| 6.25                     | 1                | - 15  | 01           | - 0F |
| 12.50                    | 16               | - 31  | 10           | - 1F |
| 18.75                    | 32               | - 47  | 20           | - 2F |
| 25.00                    | 48               | - 63  | 30           | - 3F |
| 31.25                    | 64               | - 79  | 40           | - 4F |
| 37.50                    | 80               | - 95  | 50           | - 5F |
| 43.75                    | 96               | - 111 | 60           | - 6F |
| 50.00                    | 112              | - 127 | 70           | - 7F |
| 56.25                    | 128              | - 143 | 80           | - 8F |
| 62.50                    | 144              | - 159 | 90           | - 9F |
| 68.75                    | 160              | - 175 | A0           | - AF |
| 75.00                    | 176              | - 191 | B0           | - BF |
| 81.25                    | 192              | - 207 | C0           | - CF |
| 87.50                    | 208              | - 223 | D0           | - DF |
| 93.75                    | 224              | - 239 | E0           | - EF |
| 100.00                   | 240              | - 255 | F0           | - FF |

| 24KHz PWM Frequency      |                  |       |              |      |
|--------------------------|------------------|-------|--------------|------|
| PWM Duty Cycle Level (%) | Value in Decimal |       | Value in Hex |      |
| 0                        | 0                |       | 0            |      |
| 6.67                     | 1                | - 16  | 01           | - 10 |
| 13.33                    | 17               | - 33  | 11           | - 21 |
| 20.00                    | 34               | - 50  | 22           | - 32 |
| 26.67                    | 51               | - 67  | 33           | - 43 |
| 33.33                    | 68               | - 84  | 44           | - 54 |
| 40.00                    | 85               | - 101 | 55           | - 65 |
| 46.67                    | 102              | - 118 | 66           | - 76 |
| 53.33                    | 119              | - 136 | 77           | - 88 |
| 60.00                    | 137              | - 153 | 89           | - 99 |
| 66.67                    | 154              | - 170 | 9A           | - AA |
| 73.33                    | 171              | - 187 | AB           | - BB |
| 80.00                    | 188              | - 204 | BC           | - CC |
| 86.67                    | 205              | - 221 | CD           | - DD |
| 93.33                    | 222              | - 238 | DE           | - EE |
| 100.00                   | 239              | - 255 | EF           | - FF |

| 25.7KHz PWM Frequency    |                  |       |              |      |
|--------------------------|------------------|-------|--------------|------|
| PWM Duty Cycle Level (%) | Value in Decimal |       | Value in Hex |      |
| 0                        | 0                |       | 0            |      |
| 7.14                     | 1                | - 17  | 01           | - 11 |
| 14.29                    | 18               | - 36  | 12           | - 24 |
| 21.43                    | 37               | - 54  | 25           | - 36 |
| 28.57                    | 55               | - 72  | 37           | - 48 |
| 35.71                    | 73               | - 90  | 49           | - 5A |
| 42.86                    | 91               | - 109 | 5B           | - 6D |

| 25.7KHz PWM Frequency    |                  |   |     |              |   |    |
|--------------------------|------------------|---|-----|--------------|---|----|
| PWM Duty Cycle Level (%) | Value in Decimal |   |     | Value in Hex |   |    |
| 50.00                    | 110              | - | 127 | 6E           | - | 7F |
| 57.14                    | 128              | - | 145 | 80           | - | 91 |
| 64.29                    | 146              | - | 164 | 92           | - | A4 |
| 71.43                    | 165              | - | 182 | A5           | - | B6 |
| 78.57                    | 183              | - | 200 | B7           | - | C8 |
| 85.71                    | 201              | - | 218 | C9           | - | DA |
| 92.86                    | 219              | - | 237 | DB           | - | ED |
| 100.00                   | 238              | - | 255 | EE           | - | FF |

| 27.7KHz PWM Frequency    |                  |   |     |              |   |    |
|--------------------------|------------------|---|-----|--------------|---|----|
| PWM Duty Cycle Level (%) | Value in Decimal |   |     | Value in Hex |   |    |
| 0                        | 0                |   |     | 0            |   |    |
| 7.69                     | 1                | - | 19  | 01           | - | 13 |
| 15.38                    | 20               | - | 38  | 14           | - | 26 |
| 23.08                    | 39               | - | 58  | 27           | - | 3A |
| 30.77                    | 59               | - | 78  | 3B           | - | 4E |
| 38.46                    | 79               | - | 97  | 4F           | - | 61 |
| 46.15                    | 98               | - | 117 | 62           | - | 75 |
| 53.85                    | 118              | - | 137 | 76           | - | 89 |
| 61.54                    | 138              | - | 157 | 8A           | - | 9D |
| 69.23                    | 158              | - | 176 | 9E           | - | B0 |
| 76.92                    | 177              | - | 196 | B1           | - | C4 |
| 84.62                    | 197              | - | 216 | C5           | - | D8 |
| 92.31                    | 217              | - | 235 | D9           | - | EB |
| 100.00                   | 236              | - | 255 | EC           | - | FF |

| 30KHz PWM Frequency      |                  |   |     |              |   |    |
|--------------------------|------------------|---|-----|--------------|---|----|
| PWM Duty Cycle Level (%) | Value in Decimal |   |     | Value in Hex |   |    |
| 0                        | 0                |   |     | 0            |   |    |
| 8.33                     | 1                | - | 20  | 01           | - | 14 |
| 16.67                    | 21               | - | 42  | 15           | - | 2A |
| 25.00                    | 43               | - | 63  | 2B           | - | 3F |
| 33.33                    | 64               | - | 84  | 40           | - | 54 |
| 41.67                    | 85               | - | 106 | 55           | - | 6A |
| 50.00                    | 107              | - | 127 | 6B           | - | 7F |
| 58.33                    | 128              | - | 148 | 80           | - | 94 |
| 66.67                    | 149              | - | 170 | 95           | - | AA |
| 75.00                    | 171              | - | 191 | AB           | - | BF |
| 83.33                    | 192              | - | 212 | C0           | - | D4 |
| 91.67                    | 213              | - | 234 | D5           | - | EA |
| 100.00                   | 235              | - | 255 | EB           | - | FF |

#### 4.18 Registers 67-69h: Temperature Limit

| Register Address | Read/Write | Register Name        | Bit 7 (MSB) | Bit 6 | Bit 5 | Bit 4 | Bit 3 | Bit 2 | Bit 1 | Bit 0 (LSB) | Default Value | Lock? |
|------------------|------------|----------------------|-------------|-------|-------|-------|-------|-------|-------|-------------|---------------|-------|
| 67h              | R/W        | Zone1 Fan Temp Limit | 7           | 6     | 5     | 4     | 3     | 2     | 1     | 0           | 5Ah           | ✓     |
| 68h              | R/W        | Zone2 Fan Temp Limit | 7           | 6     | 5     | 4     | 3     | 2     | 1     | 0           | 5Ah           | ✓     |
| 69h              | R/W        | Zone3 Fan Temp Limit | 7           | 6     | 5     | 4     | 3     | 2     | 1     | 0           | 5Ah           | ✓     |

These are the temperature limits for the individual zones. When the current temperature equals this limit, the fan will be turned on if it is not already. When the temperature exceeds this limit, the fan speed will be increased according to the algorithm set forth in the Auto Fan Range, PWM Frequency register description.

Default = 90°C = 5Ah

(1)

This register becomes Read Only when the Ready/Lock/Start/Override register Lock bit is set. Any further attempts to write to this register shall have no effect. After power up the default value is used whenever the Ready/Lock/Start/Override register Start bit is cleared even though modifications to this register are possible.

**Table 10. Temperature Limit vs Register Setting**

| Temperature | Reading (Decimal) | Reading (Hex) |
|-------------|-------------------|---------------|
| -127°C      | -127              | 81h           |
| .           | .                 | .             |
| .           | .                 | .             |
| .           | .                 | .             |
| -50°C       | -50               | CEh           |
| .           | .                 | .             |
| .           | .                 | .             |
| .           | .                 | .             |
| 0°C         | 0                 | 00h           |
| .           | .                 | .             |
| .           | .                 | .             |
| .           | .                 | .             |
| 50°C        | 50                | 32h           |
| .           | .                 | .             |
| .           | .                 | .             |
| .           | .                 | .             |
| 127°C       | 127               | 7Fh           |

#### 4.19 Registers 6A-6Ch: Absolute Temperature Limit

| Register Address | Read/Write | Register Name             | Bit 7 (MSB) | Bit 6 | Bit 5 | Bit 4 | Bit 3 | Bit 2 | Bit 1 | Bit 0 (LSB) | Default Value | Lock? |
|------------------|------------|---------------------------|-------------|-------|-------|-------|-------|-------|-------|-------------|---------------|-------|
| 6Ah              | R/W        | Zone1 Absolute Temp Limit | 7           | 6     | 5     | 4     | 3     | 2     | 1     | 0           | 64h           | ✓     |
| 6Bh              | R/W        | Zone2 Absolute Temp Limit | 7           | 6     | 5     | 4     | 3     | 2     | 1     | 0           | 64h           | ✓     |
| 6Ch              | R/W        | Zone3 Absolute Temp Limit | 7           | 6     | 5     | 4     | 3     | 2     | 1     | 0           | 64h           | ✓     |

In the Auto Fan mode, if a zone exceeds the temperature set in the Absolute Temperature Limit register, all of the PWM outputs will increase its duty cycle to 100%. This is a safety feature that attempts to cool the system if there is a potentially catastrophic thermal event. If set to 80h (-128°C), the feature is disabled. Default=100°C=64h

These registers become Read Only when the Ready/Lock/Start/Override register Lock bit is set. Any further attempts to write to these registers shall have no effect. After power up the default values are used whenever the Ready/Lock/Start/Override register Start bit is cleared even though modifications to these registers are possible.

**Table 11. Absolute Limit vs Register Setting**

| Temperature | Reading (Decimal) | Reading (Hex) |
|-------------|-------------------|---------------|
| -127°C      | -127              | 81h           |
| .           | .                 | .             |
| .           | .                 | .             |
| -50°C       | -50               | CEh           |
| .           | .                 | .             |
| .           | .                 | .             |
| 0°C         | 0                 | 00h           |
| .           | .                 | .             |
| .           | .                 | .             |
| 50°C        | 50                | 32h           |
| .           | .                 | .             |
| .           | .                 | .             |
| 127°C       | 127               | 7Fh           |

#### 4.20 Registers 6D-6Eh: Zone Hysteresis Registers

| Register Address | Read/Write | Register Name              | Bit 7 (MSB) | Bit 6 | Bit 5 | Bit 4 | Bit 3 | Bit 2 | Bit 1 | Bit 0 (LSB) | Default Value | Lock? |
|------------------|------------|----------------------------|-------------|-------|-------|-------|-------|-------|-------|-------------|---------------|-------|
| 6Dh              | R/W        | Zone1 and Zone2 Hysteresis | H1-3        | H1-2  | H1-1  | H1-0  | H2-3  | H2-2  | H2-1  | H2-0        | 44h           | ✓     |
| 6Eh              | R/W        | Zone3 Hysteresis           | H3-3        | H3-2  | H3-1  | H3-0  | RES   | RES   | RES   | RES         | 40h           | ✓     |

If the temperature is above Fan Temp Limit, then drops below Fan Temp Limit, the following will occur:

- The fan will remain on, at Fan PWM Minimum, until the temperature goes a certain amount below Fan Temp Limit.
- The Hysteresis registers control this amount. See below [table](#) for details.

These registers become Read Only when the Ready/Lock/Start/Override register Lock bit is set. Any further attempts to write to these registers shall have no effect. After power up the default value is used whenever the Ready/Lock/Start/Override register Start bit is cleared even though modifications to this register are possible.

**Table 12. Hysteresis Settings**

| Setting | HYSTERESIS |
|---------|------------|
| 0h      | 0°C        |
| .       | .          |
| .       | .          |
| 5h      | 5°C        |
| .       | .          |
| .       | .          |
| Fh      | 15°C       |

#### 4.21 Register 6Fh: Test Register

| Register Address | Read/Write | Register Name | Bit 7 (MSB) | Bit 6 | Bit 5 | Bit 4 | Bit 3 | Bit 2 | Bit 1 | Bit 0 (LSB) | Default Value |
|------------------|------------|---------------|-------------|-------|-------|-------|-------|-------|-------|-------------|---------------|
| 6Fh              | R/W        | Test Register | RES         | RES   | RES   | RES   | RES   | RES   | RES   | XEN         | 00h           |

If the XEN bit is set high, the part will be placed into XOR tree test mode. Clearing the bit (writing a 0 to the XEN bit) brings the part out of XOR tree test mode.

This register becomes Read Only when the Ready/Lock/Start/Override register Lock bit is set. Any further attempts to write to this registers shall have no effect. After power up the default value is used whenever the Ready/Lock/Start/Override register Start bit is cleared even though modifications to this register are possible.

#### 4.22 Registers 70-7Fh: Vendor Specific Registers

These registers are for vendor specific features, including test registers. They will not default to a specific value on power up.

##### 4.22.1 Register 74h: Tachometer Monitor Mode

| Register Address | Read/Write | Register Name     | Bit 7 (MSb) | Bit 6 | Bit 5  | Bit 4  | Bit 3 | Bit 2 | Bit 1 | Bit 0 (LSb) | Default Value | Lock? |
|------------------|------------|-------------------|-------------|-------|--------|--------|-------|-------|-------|-------------|---------------|-------|
| 74h              | R/W        | Tach Monitor Mode | RES         | RES   | T3/4-1 | T3/4-0 | T2-1  | T2-0  | T1-1  | T1-0        | 00h           |       |

Each fan TACH input has 4 possible modes of operation when using the low frequency range for the PWM outputs. Mode 0 is the only mode that is available when using the high frequency range for the PWM outputs. The modes for TACH3 and TACH4 share control bits T3/4-[1:0]; TACH2 is controlled by T2-[1:0]; TACH1 is controlled by T1-[1:0]. The result reported in all modes is based on 2 pulses per revolution. In order for modes 2 and 3 to function properly it is required that the:

- PWM1 output must control the fan that has its tachometer output connected to the TACH1 LM96000 input.
- PWM2 output must control the fan that has its tachometer output connected to the TACH2 LM96000 input.
- PWM3 output must control the fans that have their tachometer outputs connected to the TACH3 or TACH4 LM96000 inputs.

| Setting (Tn[1:0]) | Mode | Function   |
|-------------------|------|--|
| 00                | 0    | Traditional tach input monitor, false readings when under minimum detectable RPM       |
| 01                | 1    | Traditional tach input monitor, FFFFh reading when under minimum detectable RPM        |
| 10                | 2    | Most accurate readings, FFFFh reading when under minimum detectable RPM                |
| 11                | 3    | Least effect on programmed PWM of Fan, FFFFh reading when under minimum detectable RPM |

|                  |   |
|------------------|---|
| • <b>Mode 0:</b> | This mode uses the conventional method for fan tachometer pulse detection and does not include any circuitry to compensate for PWM Fan drive. This mode should be used when PWM drive is not used to power the fan. This mode may report a false RPM reading when under minimum detectable RPM as shown in the following table. |
| • <b>Mode 1:</b> | This mode uses the conventional method for fan tach detection. The reading will be FFFFh if it is below minimum detectable RPM.   |
| • <b>Mode 2:</b> | This mode is optimized for accurate RPM readings and activates circuitry that extends the lower side of the RPM reading as shown in the following table.  |
| • <b>Mode 3:</b> | This mode minimizes the effect on the RPM setting and activates circuitry that extends the lower side of the RPM reading as shown in the following table.   |

| PWM Frequency | Mode 0 and 1 Minimum RPM | Mode 2 and 3 Minimum RPM |
|---------------|--------------------------|--------------------------|
| 10.01         | 841                      | 210                      |
| 15.02         | 1262                     | 315                      |
| 23.14         | 1944                     | 420                      |
| 30.04         | 2523                     | 420                      |
| 38.16         | 3205                     | 420                      |
| 47.06         | 3953                     | 420                      |
| 61.38         | 5156                     | 420                      |
| 94.12         | 7906                     | 420                      |

This register is not effected when the Ready/Lock/Start/Override register Lock bit is set. After power up the default value is used whenever the Ready/Lock/Start/Override register Start bit is cleared even though modifications to this register are possible.

#### 4.22.2 Register 75h: Fan Spin-up Mode

| Register Address | Read/Write | Register Name    | Bit 7 (MSB) | Bit 6 | Bit 5 | Bit 4 | Bit 3 | Bit 2   | Bit 1   | Bit 0 (LSB) | Default Value | Lock? |
|------------------|------------|------------------|-------------|-------|-------|-------|-------|---------|---------|-------------|---------------|-------|
| 75h              | R/W        | Fan Spin-up Mode | RES         | RES   | RES   | RES   | RES   | PWM3 SU | PWM2 SU | PWM1 SU     | 7h            | ✓     |

The PWM SU bit configures the PWM spin-up mode. If PWM SU is cleared the spin-up time will terminate after time programmed by the Fan Configuration register has elapsed. When set to a 1, the spin-up time will terminate early if the TACH reading exceeds the Tach Minimum value or after the time programmed by the Fan Configuration register has elapsed, whichever occurs first.

This register becomes Read Only when the Ready/Lock/Start/Override register Lock bit is set. Any further attempts to write to this register shall have no effect. After power up the default value is used whenever the Ready/Lock/Start/Override register Start bit is cleared even though modifications to this register are possible.

#### 4.23 Undefined Registers

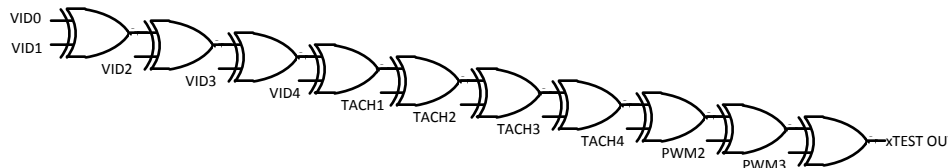
Any reads to undefined registers will always return 00h. Writes to undefined registers will have no effect and will not return an error.



## 5.0 XOR TEST MODE

The LM96000 incorporates a XOR tree test mode. When the test mode is enabled by setting the “XEN” bit high in the Test Register at address 6Fh via the SMBus, the part will enter XOR test mode.

Since the test mode an XOR tree, the order of the signals in the tree is not important. SMBDAT and SMBCLK are not to be included in the test tree.



## APPLICATIONS INFORMATION

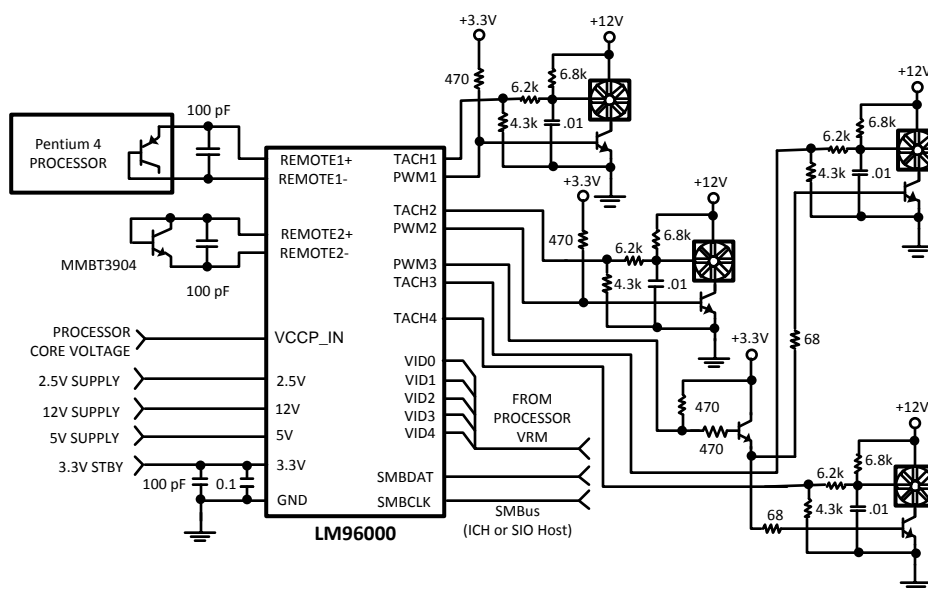




Figure 11. Typical Applications Schematic

## REVISION HISTORY

| Changes from Revision B (March 2013) to Revision C         | Page               |
|--|--------------------|
| • Changed layout of National Data Sheet to TI format ..... | <a href="#">33</a> |

**PACKAGING INFORMATION**

| Orderable Device  | Status<br>(1) | Package Type | Package Drawing | Pins | Package Qty | Eco Plan<br>(2) | Lead finish/<br>Ball material<br>(6) | MSL Peak Temp<br>(3) | Op Temp (°C) | Device Marking<br>(4/5) | Samples   |
|-------------------|---------------|--------------|-----------------|------|-------------|-----------------|--------------------------------------|----------------------|--------------|-------------------------|---|
| LM96000CIMT/NOPB  | ACTIVE        | TSSOP        | PW              | 24   | 61          | RoHS & Green    | SN                                   | Level-1-260C-UNLIM   | 0 to 125     | LM96000<br>CIMT         |  |
| LM96000CIMTX/NOPB | ACTIVE        | TSSOP        | PW              | 24   | 2500        | RoHS & Green    | SN                                   | Level-1-260C-UNLIM   | 0 to 125     | LM96000<br>CIMT         |  |

(1) The marketing status values are defined as follows:

**ACTIVE:** Product device recommended for new designs.

**LIFEBUY:** TI has announced that the device will be discontinued, and a lifetime-buy period is in effect.

**NRND:** Not recommended for new designs. Device is in production to support existing customers, but TI does not recommend using this part in a new design.

**PREVIEW:** Device has been announced but is not in production. Samples may or may not be available.

**OBSOLETE:** TI has discontinued the production of the device.

(2) **RoHS:** TI defines "RoHS" to mean semiconductor products that are compliant with the current EU RoHS requirements for all 10 RoHS substances, including the requirement that RoHS substance do not exceed 0.1% by weight in homogeneous materials. Where designed to be soldered at high temperatures, "RoHS" products are suitable for use in specified lead-free processes. TI may reference these types of products as "Pb-Free".

**RoHS Exempt:** TI defines "RoHS Exempt" to mean products that contain lead but are compliant with EU RoHS pursuant to a specific EU RoHS exemption.

**Green:** TI defines "Green" to mean the content of Chlorine (Cl) and Bromine (Br) based flame retardants meet JS709B low halogen requirements of <=1000ppm threshold. Antimony trioxide based flame retardants must also meet the <=1000ppm threshold requirement.

(3) MSL, Peak Temp. - The Moisture Sensitivity Level rating according to the JEDEC industry standard classifications, and peak solder temperature.

(4) There may be additional marking, which relates to the logo, the lot trace code information, or the environmental category on the device.

(5) Multiple Device Markings will be inside parentheses. Only one Device Marking contained in parentheses and separated by a "~" will appear on a device. If a line is indented then it is a continuation of the previous line and the two combined represent the entire Device Marking for that device.

(6) Lead finish/Ball material - Orderable Devices may have multiple material finish options. Finish options are separated by a vertical ruled line. Lead finish/Ball material values may wrap to two lines if the finish value exceeds the maximum column width.

**Important Information and Disclaimer:**The information provided on this page represents TI's knowledge and belief as of the date that it is provided. TI bases its knowledge and belief on information provided by third parties, and makes no representation or warranty as to the accuracy of such information. Efforts are underway to better integrate information from third parties. TI has taken and continues to take reasonable steps to provide representative and accurate information but may not have conducted destructive testing or chemical analysis on incoming materials and chemicals. TI and TI suppliers consider certain information to be proprietary, and thus CAS numbers and other limited information may not be available for release.

In no event shall TI's liability arising out of such information exceed the total purchase price of the TI part(s) at issue in this document sold by TI to Customer on an annual basis.



**TAPE AND REEL INFORMATION**

**QUADRANT ASSIGNMENTS FOR PIN 1 ORIENTATION IN TAPE**


\*All dimensions are nominal

| Device            | Package Type | Package Drawing | Pins | SPQ  | Reel Diameter (mm) | Reel Width W1 (mm) | A0 (mm) | B0 (mm) | K0 (mm) | P1 (mm) | W (mm) | Pin1 Quadrant |
|-------------------|--------------|-----------------|------|------|--------------------|--------------------|---------|---------|---------|---------|--------|---------------|
| LM96000CIMTX/NOPB | TSSOP        | PW              | 24   | 2500 | 330.0              | 16.4               | 6.95    | 8.3     | 1.6     | 8.0     | 16.0   | Q1            |

**TAPE AND REEL BOX DIMENSIONS**


\*All dimensions are nominal

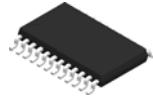
| Device            | Package Type | Package Drawing | Pins | SPQ  | Length (mm) | Width (mm) | Height (mm) |
|-------------------|--------------|-----------------|------|------|-------------|------------|-------------|
| LM96000CIMTX/NOPB | TSSOP        | PW              | 24   | 2500 | 367.0       | 367.0      | 35.0        |

**TUBE**


\*All dimensions are nominal

| Device           | Package Name | Package Type | Pins | SPQ | L (mm) | W (mm) | T (μm) | B (mm) |
|------------------|--------------|--------------|------|-----|--------|--------|--------|--------|
| LM96000CIMT/NOPB | PW           | TSSOP        | 24   | 61  | 495    | 8      | 2514.6 | 4.06   |

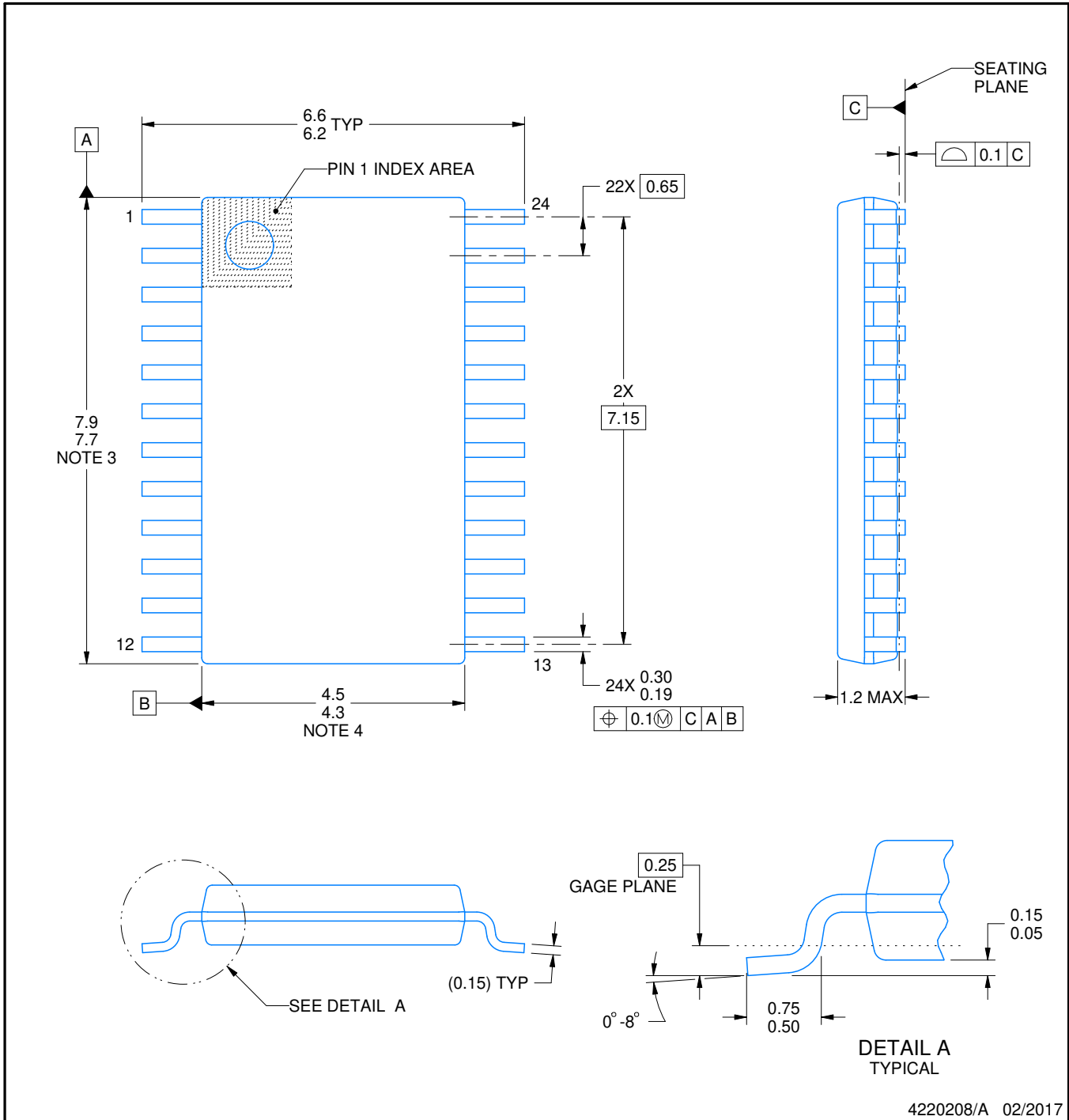
PW0024A



# PACKAGE OUTLINE

## TSSOP - 1.2 mm max height

SMALL OUTLINE PACKAGE



4220208/A 02/2017

NOTES:

1. All linear dimensions are in millimeters. Any dimensions in parenthesis are for reference only. Dimensioning and tolerancing per ASME Y14.5M.
2. This drawing is subject to change without notice.
3. This dimension does not include mold flash, protrusions, or gate burrs. Mold flash, protrusions, or gate burrs shall not exceed 0.15 mm per side.
4. This dimension does not include interlead flash. Interlead flash shall not exceed 0.25 mm per side.
5. Reference JEDEC registration MO-153.

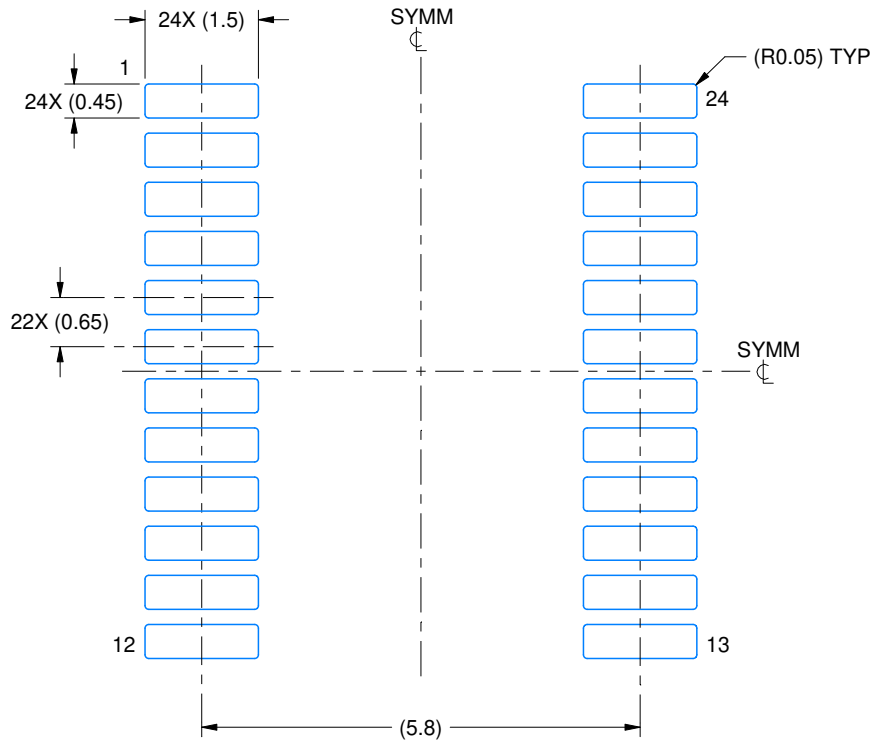


# EXAMPLE BOARD LAYOUT

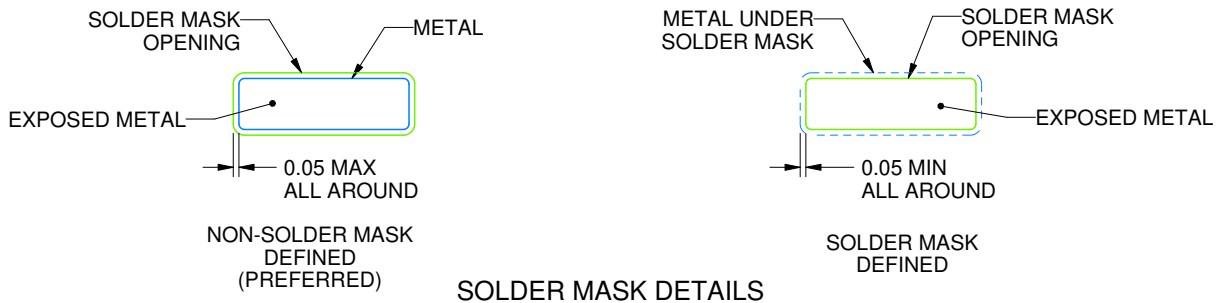
PW0024A

TSSOP - 1.2 mm max height

SMALL OUTLINE PACKAGE



LAND PATTERN EXAMPLE  
EXPOSED METAL SHOWN  
SCALE: 10X



SOLDER MASK DETAILS

4220208/A 02/2017

NOTES: (continued)

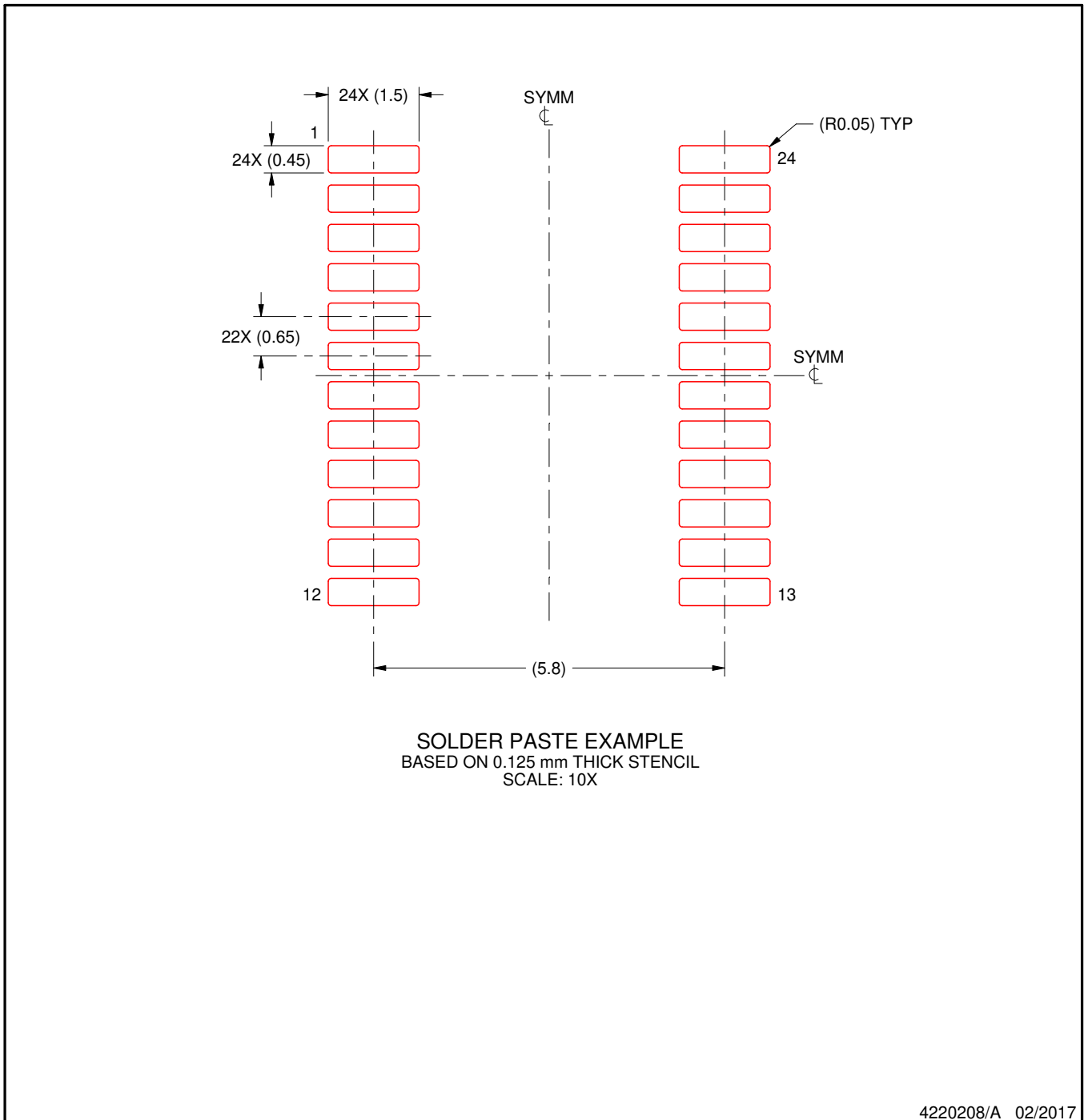
- 6. Publication IPC-7351 may have alternate designs.
- 7. Solder mask tolerances between and around signal pads can vary based on board fabrication site.

# EXAMPLE STENCIL DESIGN

PW0024A

TSSOP - 1.2 mm max height

SMALL OUTLINE PACKAGE



NOTES: (continued)

8. Laser cutting apertures with trapezoidal walls and rounded corners may offer better paste release. IPC-7525 may have alternate design recommendations.
9. Board assembly site may have different recommendations for stencil design.

## IMPORTANT NOTICE AND DISCLAIMER

TI PROVIDES TECHNICAL AND RELIABILITY DATA (INCLUDING DATA SHEETS), DESIGN RESOURCES (INCLUDING REFERENCE DESIGNS), APPLICATION OR OTHER DESIGN ADVICE, WEB TOOLS, SAFETY INFORMATION, AND OTHER RESOURCES "AS IS" AND WITH ALL FAULTS, AND DISCLAIMS ALL WARRANTIES, EXPRESS AND IMPLIED, INCLUDING WITHOUT LIMITATION ANY IMPLIED WARRANTIES OF MERCHANTABILITY, FITNESS FOR A PARTICULAR PURPOSE OR NON-INFRINGEMENT OF THIRD PARTY INTELLECTUAL PROPERTY RIGHTS.

These resources are intended for skilled developers designing with TI products. You are solely responsible for (1) selecting the appropriate TI products for your application, (2) designing, validating and testing your application, and (3) ensuring your application meets applicable standards, and any other safety, security, regulatory or other requirements.

These resources are subject to change without notice. TI grants you permission to use these resources only for development of an application that uses the TI products described in the resource. Other reproduction and display of these resources is prohibited. No license is granted to any other TI intellectual property right or to any third party intellectual property right. TI disclaims responsibility for, and you will fully indemnify TI and its representatives against, any claims, damages, costs, losses, and liabilities arising out of your use of these resources.

TI's products are provided subject to [TI's Terms of Sale](#) or other applicable terms available either on [ti.com](http://ti.com) or provided in conjunction with such TI products. TI's provision of these resources does not expand or otherwise alter TI's applicable warranties or warranty disclaimers for TI products.

TI objects to and rejects any additional or different terms you may have proposed.

Mailing Address: Texas Instruments, Post Office Box 655303, Dallas, Texas 75265  
Copyright © 2022, Texas Instruments Incorporated