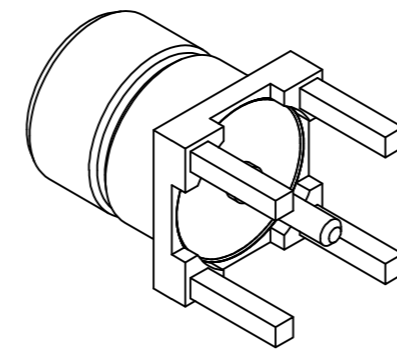


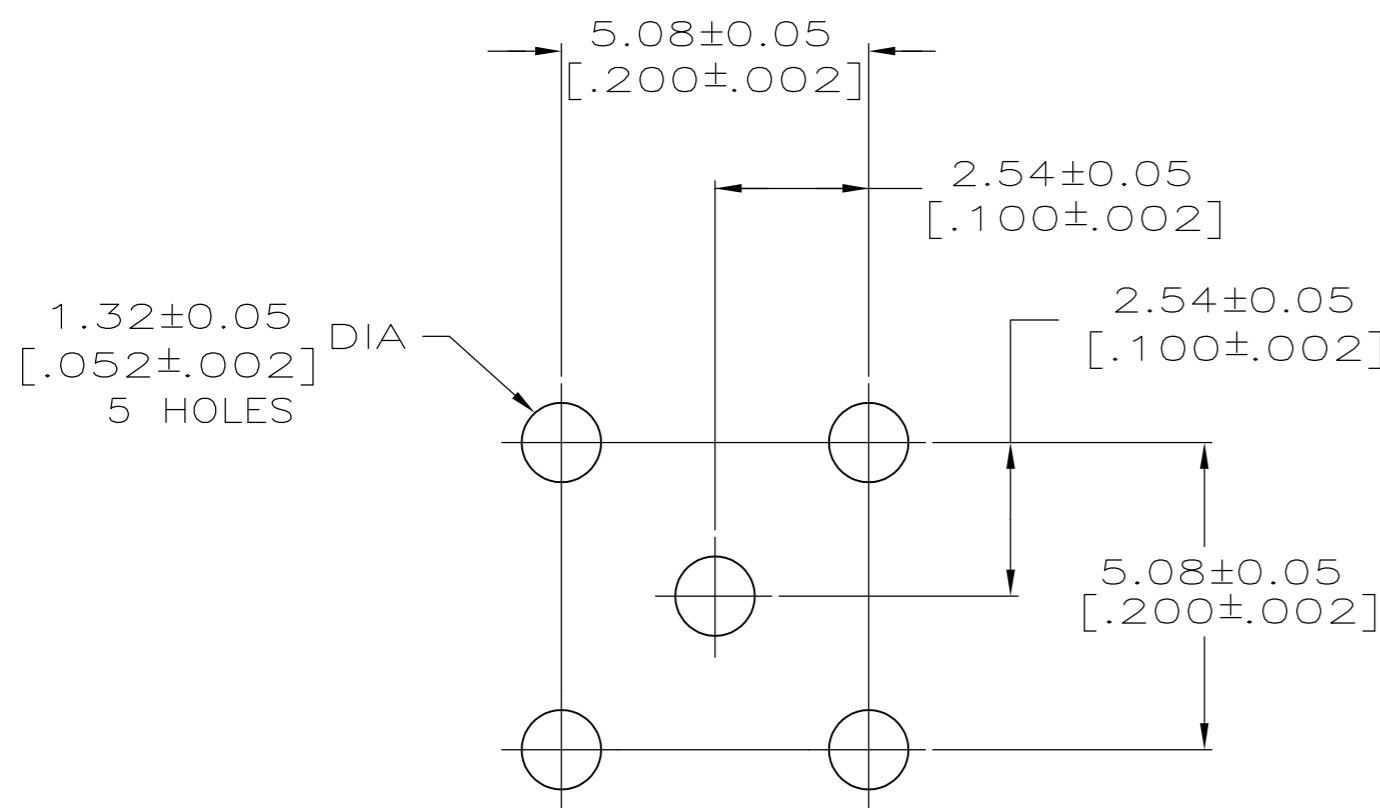
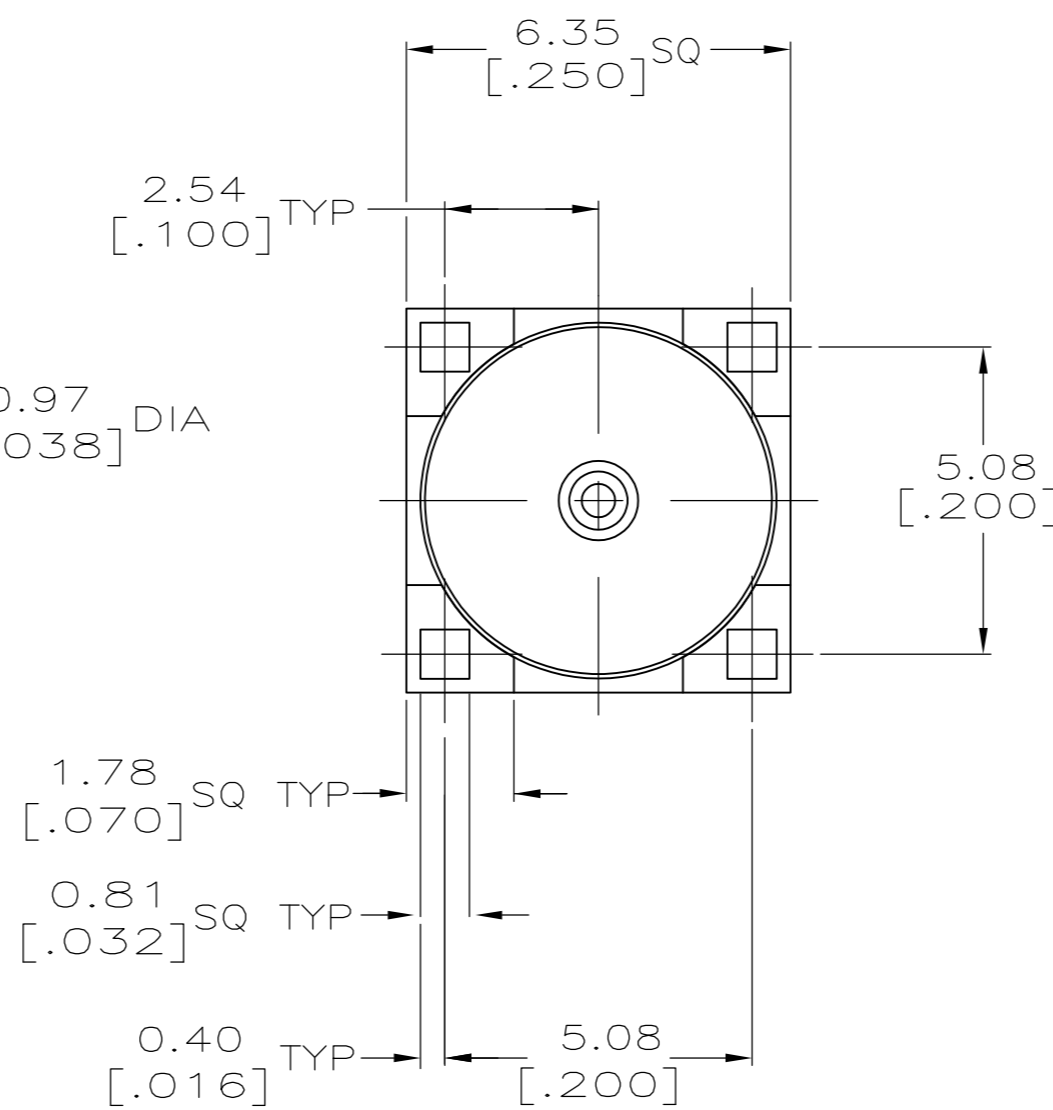
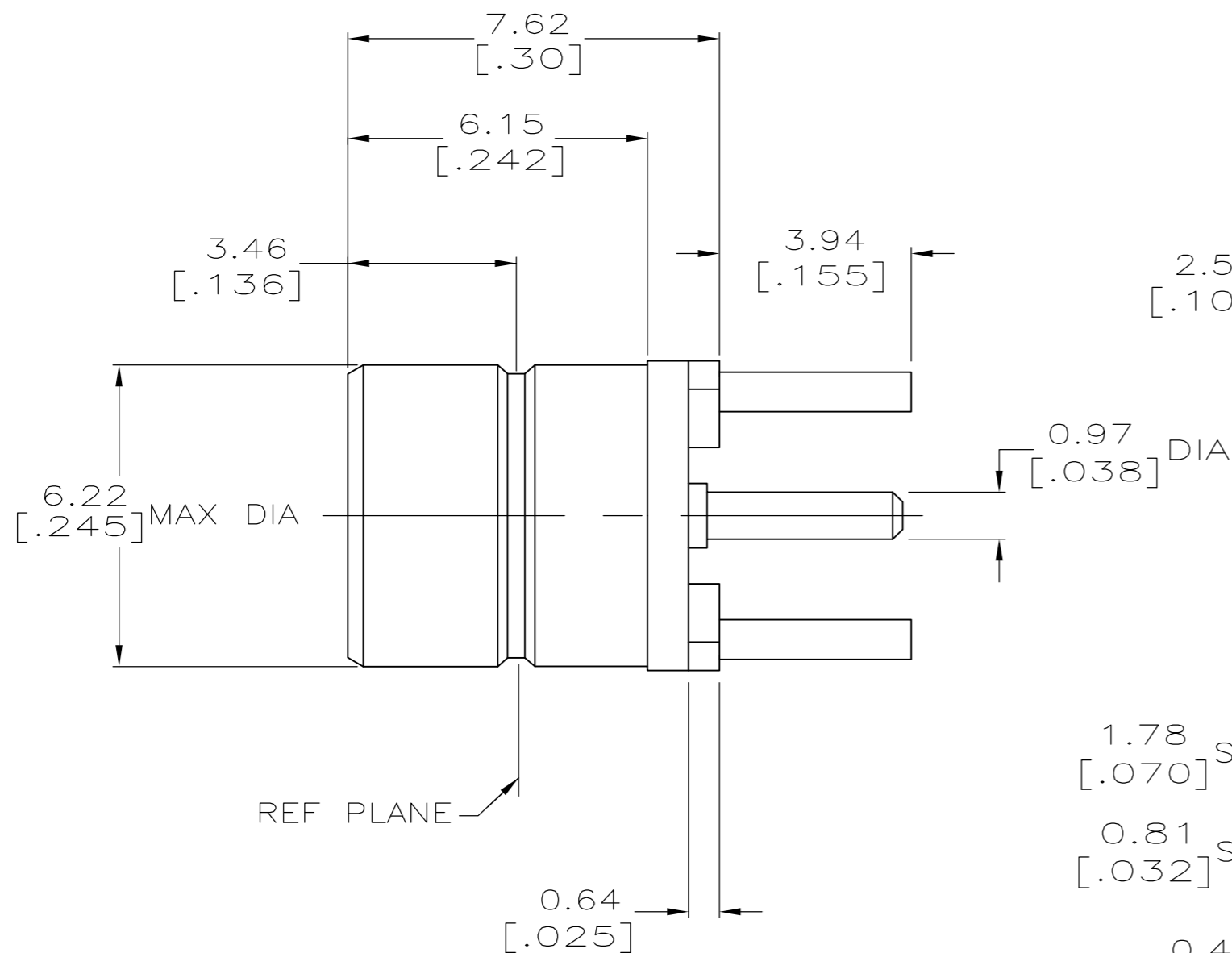
THIS DRAWING IS UNPUBLISHED. RELEASED FOR PUBLICATION
 © COPYRIGHT - By - ALL RIGHTS RESERVED.

LOC	DIST	REVISIONS			
P	LTR	DESCRIPTION	DATE	DWN	APVD
AJ	16	E1	ECR-12-005726	27MAR12	RK MY



ISOMETRIC VIEW

- 1 BRASS PER ASTM-B-453
- 2 PTFE PER ASTM-D-1710
- 3 GOLD PLATE PER MIL-G-45204 OVER NICKEL PLATE PER QQ-N-290.
- 4 NICKEL PLATE PER QQ-N-290 OVER COPPER PER MIL-C-14550.
- 5 GOLD PLATE PER MIL-G-45204 .000050 MIN THK OVER NICKEL PLATE PER QQ-N-290.
- 6 TIN PLATE PER ASTM B 545.
- 7 TIN PLATE PER ASTM-B-545 .000050 MIN THK OVER NICKEL PLATE PER QQ-N-290



RECOMMENDED PCB CONFIGURATION

SUPERSEDED BY 414244-1
 SUPERSEDED BY 414244-4

---	3	7	9-414244-0
---	3	6	414244-4
---	5	5	414244-3
---	3	4	414244-2
---	3	3	414244-1
DIELECTRIC 2	CONTACT 1	BODY 1	ASSY NO
FINISH			

DIMENSIONS:		TOLERANCES UNLESS OTHERWISE SPECIFIED:		DWN		TE Connectivity	
INCHES		0 PLC	± -	K. RIELY	1/6/92		
		1 PLC	± -	CHK	1/6/92		
		2 PLC	± 0.25[.01]	G. MICHAEL			
		3 PLC	± 0.130[.005]	APVD	01-07-92		
		4 PLC	± -	K. HEILIG		NAME	
		ANGLES	± -	PRODUCT SPEC		JACK,RCPT,STR,SMB/PCB	
MATERIAL	FINISH	WEIGHT		APPLICATION SPEC		SIZE	CAGE CODE
SEE TABLE	SEE TABLE					A2	00779
		CUSTOMER DRAWING				DRAWING NO	RESTRICTED TO
						C=414244	
						SCALE	SHEET
						8:1	1 of 1
							REV
							E1