

4

3

2

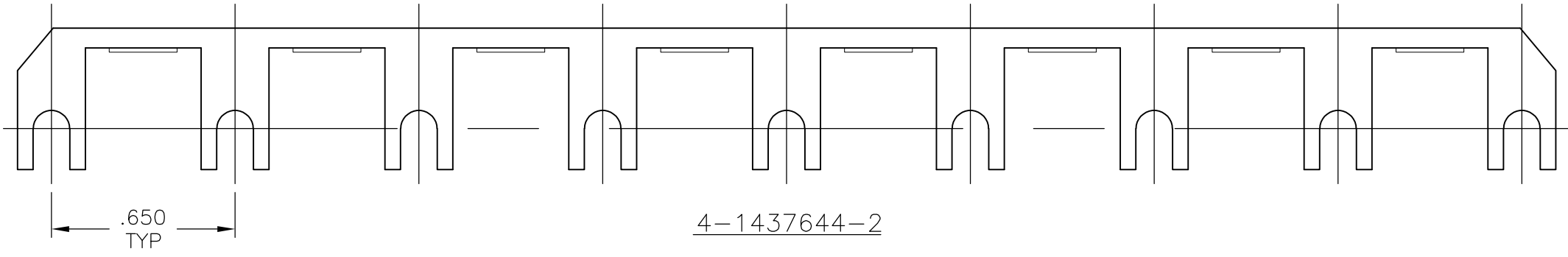
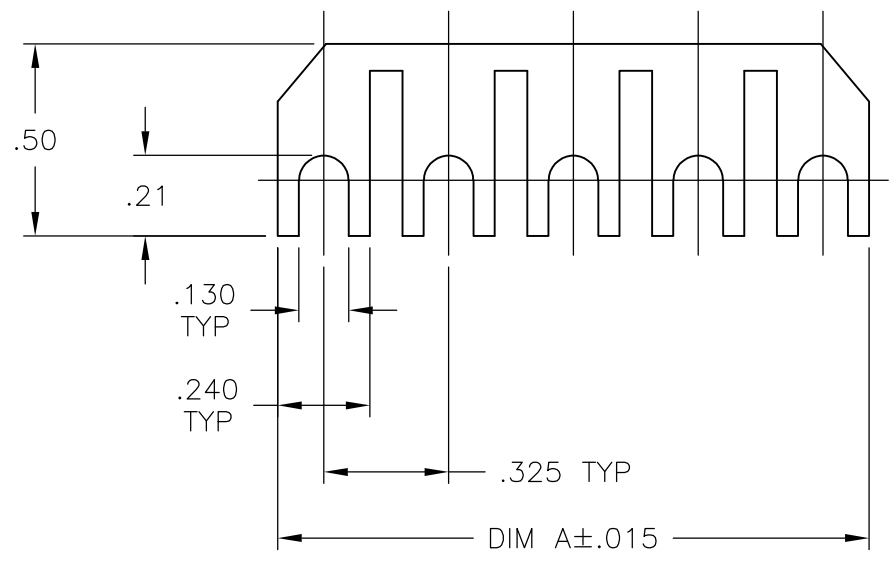
1

THIS DRAWING IS UNPUBLISHED. RELEASED FOR PUBLICATION  
 © COPYRIGHT - By - ALL RIGHTS RESERVED.


LOC	DIST	REVISIONS			
P	LTR	DESCRIPTION	DATE	DWN	APVD
FT	0	A1	REVISED PER ECO-11-004820	11MAR11	RK HMR

NOTES:

- 1. .020 THK BRASS, TIN PLATED.
- 2. FOR USE WITH 4 SERIES AND 4DB BARRIER STRIPS.



SEE FIGURE	DIM A	CATALOG NO.	PART NUMBER
5.44		J4-9S	4-1437644-2
2.84		J4-9	4-1437644-1
1.54		J4-5	4-1437644-0
1.22		J4-4	3-1437644-9
.89		J4-3	3-1437644-8
.57		J4-2	3-1437644-7

THIS DRAWING IS A CONTROLLED DOCUMENT.		DWN S SCHLEGEL 3/29/05	 TE Connectivity				
DIMENSIONS: INCHES		CHK S YODER 3/29/05					
TOLERANCES UNLESS OTHERWISE SPECIFIED:		APVD S YODER 3/29/05	NAME J4-XX				
0 PLC ± - 1 PLC ± - 2 PLC ± .02 3 PLC ± .010 4 PLC ± - ANGLES ± -		PRODUCT SPEC -	-				
MATERIAL -		FINISH -	APPLICATION SPEC -	SIZE A3	CAGE CODE 00779	DRAWING NO C-3-1437644-7	RESTRICTED TO -
CUSTOMER DRAWING			WEIGHT -	SCALE 2:1	SHEET 1 OF 1	REV A1	