

THIS DRAWING IS UNPUBLISHED.

RELEASED FOR PUBLICATION

ALL RIGHTS RESERVED.

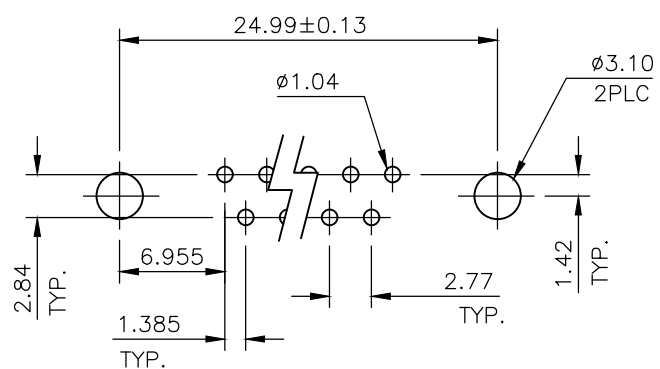
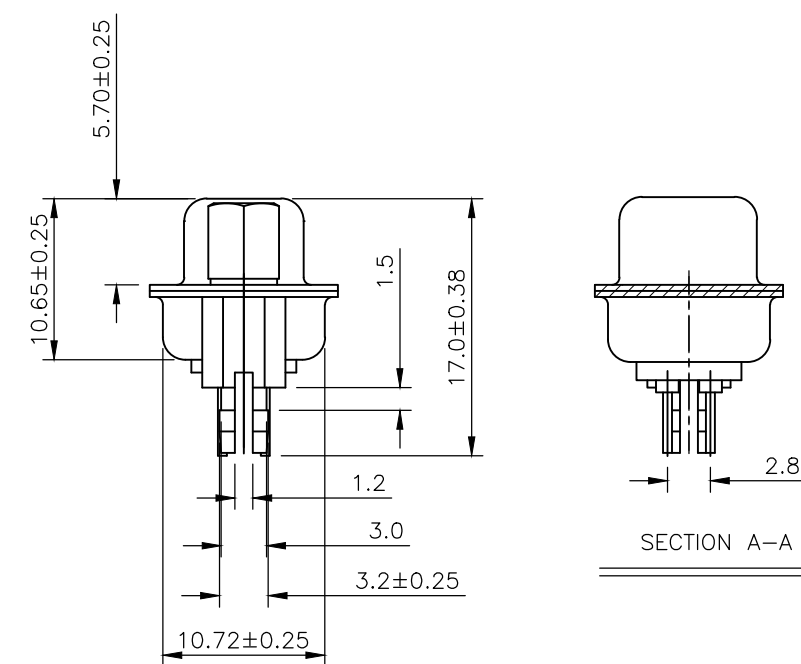
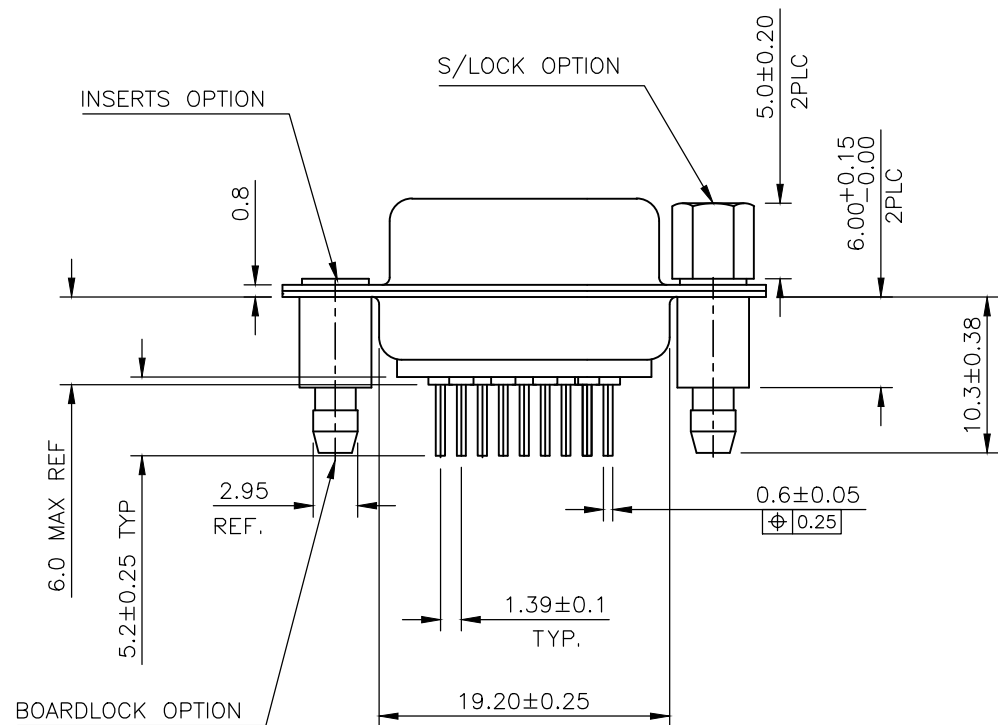
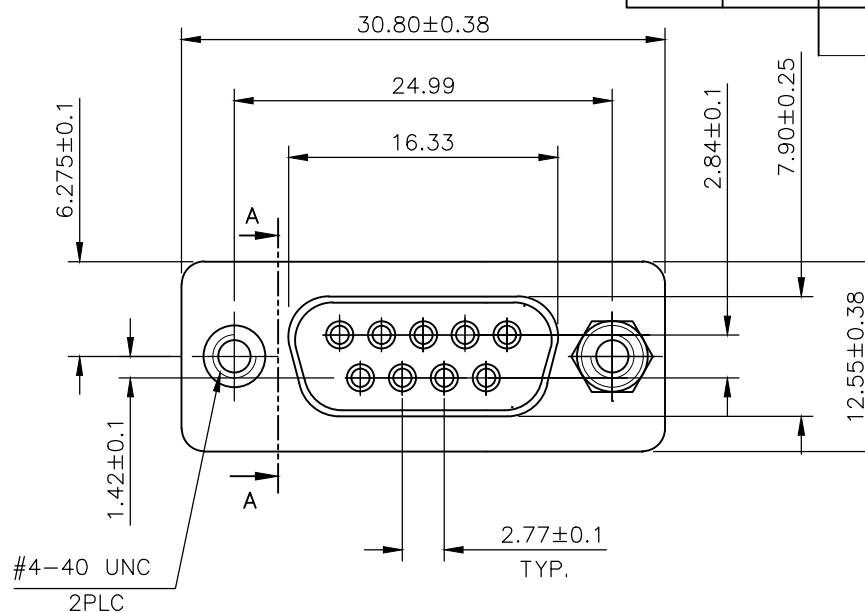
LOC GP DIST 00

REVISIONS

P	LTR	DESCRIPTION	DATE	DWN	APVD
	K	REVISED PER ECO-17-012925	21FEB2018	AP	DG

- 1 MATERIAL
HOUSING : THERMOPLASTIC, UL94V-0, BLACK
CONTACTS : PHOSPHOR BRONZE
SHELL : STEEL
SCREW : BRASS.
BOARD LOCK : BRASS.
SCREW OF TORQUE : 5 Kg-cm MAX.
- 2 FINISH
CONTACT : 15µ" MIN.GOLD PLATING ON CONTACT AREA
100µ" MIN. TIN PLATING ON SOLDER TAILS
50µ" MIN. NICKEL UNDERPLATED OVERALL
SHELL : 100µ" MIN NICKEL PLATING
SCREW : 50µ" MIN. NICKEL PLATING.
BOARD LOCK : 50µ" MIN. NICKEL PLATING.
- 3 CHARACTERISTICS
CURRENT RATING : 3A
INSULATION RESISTANCE : 1000MOHMS MIN, 500VDC FOR 2MINS.
TEMPERATURE RATING : -55DEGC ~ +105DEGC
VOLTAGE RATING : 250VDC

4 OBSOLETE PARTS: OBSOLETE CIS STREAMLINING PER D.RENAUD/D.SINISI.



RECOMMENDED PCB LAYOUT(TOP VIEW)
(PCBTOLERANCE : ±0.05)

4 OBSOLETE	9W D SKT WITH B/L & M3 S/LOCK 15µ" GOLD	4-1634222-2
SUPERSEDED BY 2301838-2		
4 OBSOLETE	9W D SKT WITH B/L & 4-40 S/LOCK 15µ" GOLD	3-1634222-2
SUPERSEDED BY 2301838-1		
4 OBSOLETE	9W D SKT WITH B/L & M3 INSERTS 15µ" GOLD	2-1634222-2
SUPERSEDED BY 2301838-1		
	DESCRIPTION	PART NO.

THIS DRAWING IS A CONTROLLED DOCUMENT.		DWN J.SANDWELL 10APR03		
DIMENSIONS: mm		CHK R.DYER 10APR03		
TOLERANCES UNLESS OTHERWISE SPECIFIED:		APVD F.WHEELER-KING 10APR03	NAME	
0 PLC ± -	1 PLC ± 0.25	PRODUCT SPEC	D-SUB HD20, VERTICAL, 9P SKT CONNECTOR	
2 PLC ± 0.15	3 PLC ± -	APPLICATION SPEC	-	
4 PLC ± -	ANGLES ± -	WEIGHT	SIZE A3	CAGE CODE 00779
MATERIAL -	FINISH -	CUSTOMER DRAWING	DRAWING NO C-1634222	RESTRICTED TO -
SCALE 2:1			SHEET 1 OF 2	REV K

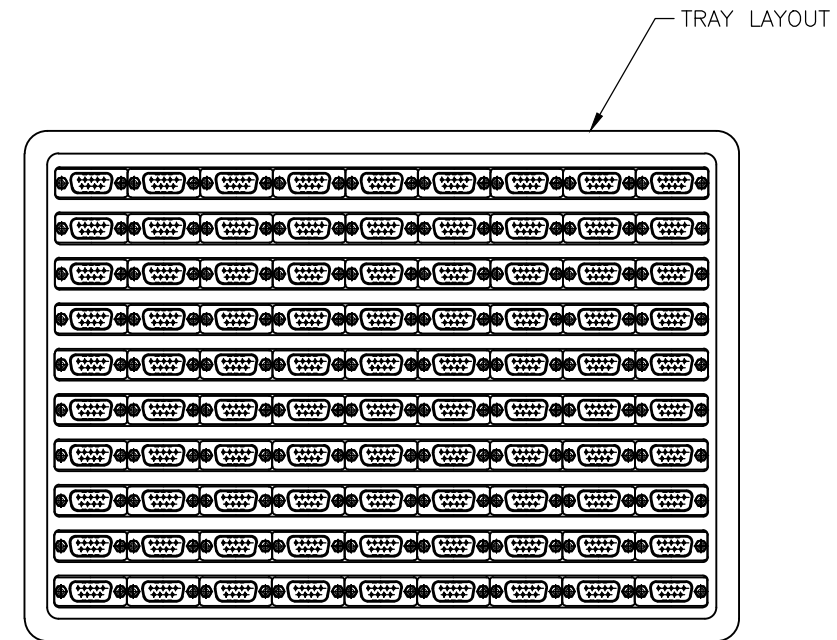
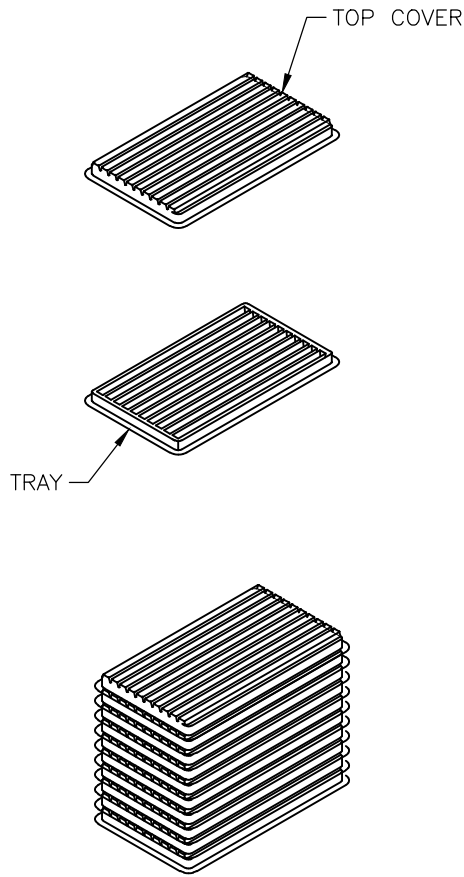
THIS DRAWING IS UNPUBLISHED.

RELEASED FOR PUBLICATION

ALL RIGHTS RESERVED.

© COPYRIGHT - By -

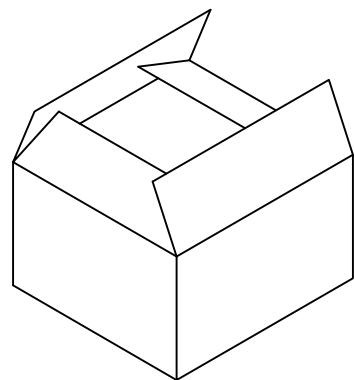
LOC	DIST	REVISIONS					
GP	00	P	LTR	DESCRIPTION	DATE	DWN	APVD
		-		SEE SHEET 1	-	-	-



MATERIAL
 1 TRAY: PVC
 2 SHIPPING CARTON: CORRUGATED FIBERBOARD

DIMENSIONS
 1 TRAY: L=310, W=230, H=21
 2 SHIPPING CARTON: L=330, W=245, H=160

QUANTITY
 90 PCS/TRAY
 10 TRAY/SHIPPING CARTON



THIS DRAWING IS A CONTROLLED DOCUMENT.		DWN	J.SANDWELL	10APR03	STE TE Connectivity		
		CHK	R.DYER	10APR03			
DIMENSIONS: mm		TOLERANCES UNLESS OTHERWISE SPECIFIED:			NAME		
		0 PLC	± -	D-SUB HD20, VERTICAL, 9P SKT CONNECTOR			
		1 PLC	± 0.25				
		2 PLC	± 0.15	PRODUCT SPEC			
		3 PLC	± -	APPLICATION SPEC			
		4 PLC	± -	SIZE			
		ANGLES	± -	CAGE CODE			
MATERIAL		FINISH	-	DRAWING NO			
				RESTRICTED TO			
				WEIGHT			
				A3 00779 C-1634222			
				CUSTOMER DRAWING			
				SCALE 2:1			
				SHEET 2 OF 2			
				REV K			