

## Evaluation Board for the **AD5247** Digital Potentiometer

### FEATURES

Full-featured board in conjunction with low voltage digiPOT motherboard (EVAL-MB-LV-SDZ)

Various test circuits

Various ac/dc input signals

PC control via a separately purchased system demonstration platform (SDP-B or SDP-S)

PC software for control

### PACKAGE CONTENTS

**EVAL-AD5247DBZ**

EVAL-MB-LV-SDZ motherboard

CD that includes

Self-installing software that allows users to control the board and exercise all functions of the device

Electronic version of the **AD5247** data sheet

Electronic version of the UG-397 user guide

### GENERAL DESCRIPTION

This user guide describes the evaluation board for evaluating the **AD5247**, a single channel, 128-position digital potentiometer.

The **AD5247** supports a single-supply 2.7 V to 5.5 V operation, making the device suited for battery-powered applications and many other applications with a superior low temperature coefficient performance.

In addition, the **AD5247** uses a versatile I<sup>2</sup>C serial interface that operates in fast mode, allowing speeds of up to 400 kHz.

The **EVAL-AD5247DBZ** and EVAL-MB-LV-SDZ can operate in single-supply mode and incorporate an internal power supply from the USB.

Complete specifications for the **AD5247** part can be found in the **AD5247** data sheet, which is available from Analog Devices, Inc., and should be consulted in conjunction with this user guide when using the evaluation board.

### **EVAL-AD5247DBZ WITH MOTHERBOARD AND SDP-B**

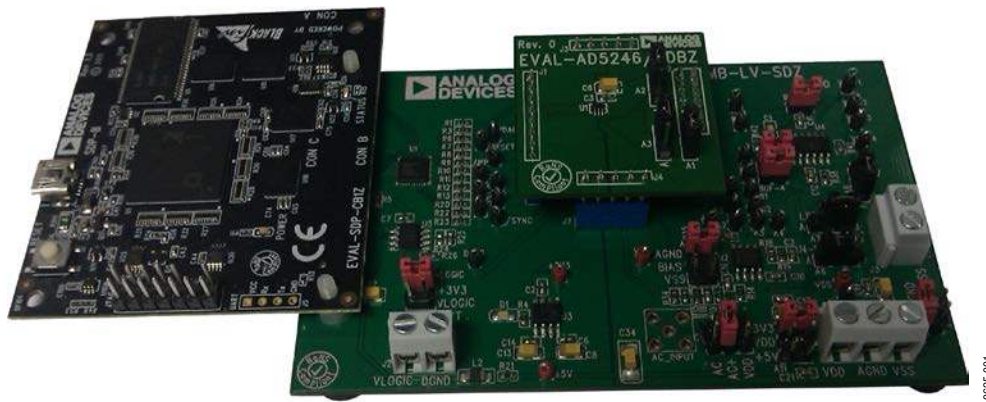


Figure 1. Digital Picture of Evaluation Board with Low Voltage digiPOT Motherboard and System Demonstration Platform

**TABLE OF CONTENTS**

Features .....	1	Evaluation Board Software .....	6
Package Contents .....	1	Installing the Software .....	6
General Description .....	1	Running the Software .....	6
EVAL-AD5247DBZ With Motherboard and SDP-B .....	1	Software Operation .....	7
Revision History .....	2	Schematics and Artwork .....	8
Evaluation Board Hardware .....	3	Motherboard .....	8
Power Supplies .....	3	Daughter Board .....	12
Link Options .....	3	Ordering Information .....	15
Test Circuits .....	4	Bill of Materials .....	15

**REVISION HISTORY**

5/12—Revision 0: Initial Version

## EVALUATION BOARD HARDWARE

### POWER SUPPLIES

The EVAL-MB-LV-SDZ supports using single power supplies.

The evaluation board can be powered either from the SDP port or externally by the J1 and J2 connectors as described in Table 1.

All supplies are decoupled to ground using 10  $\mu\text{F}$  tantalum and 0.1  $\mu\text{F}$  ceramic capacitors.

**Table 1. Maximum and Minimum Voltages of the Connectors**

Connector No.	Label	Voltage
J1-1	EXT VDD	Analog positive power supply, $V_{\text{DD}}$ ; from 2.7 V to 5.5 V.
J1-2	GND	Analog ground.
J2-1	VLOGIC	Digital supply, from 2.7 V to $V_{\text{DD}}$ .
J2-2	DGND	Digital ground.

**Table 3. Link Functions**

Link No.	Power Supply	Options
A11	$V_{\text{DD}}$	This link selects one of the following as the positive power supply: 5 V (from SDP). 3.3 V (from SDP). $V_{\text{DD}}$ (external supply from the J1 connector).
A5	$V_{\text{LOGIC}}$	This link selects one of the following as the digital supply: 3.3 V (from SDP). VLOGIC EXT (external supply from the J2 connector).
A12	GND	AGND.

### LINK OPTIONS

Several link and switch options are incorporated in the EVAL-MB-LV-SDZ evaluation board and should be set up before using the board. Table 2 describes the positions of the links to control the evaluation board by a PC, via the SDP board. The functions of these link options are described in detail in Table 3 through Table 6.

**Table 2. Link Options Setup for SDP Control (Default)**

Link No.	Option
A11	3.3 V
A12	AGND
A5	3.3 V

**TEST CIRCUITS**

The EVAL-AD5247DBZ and EVAL-MB-LV-SDZ incorporate several test circuits to evaluate the AD5247 performance.

**DAC**

RDAC can be operated as a digital-to-analog converter (DAC), as shown in Figure 2.

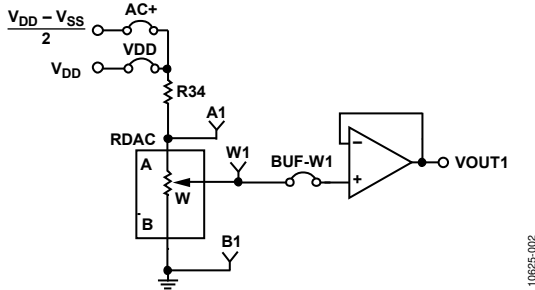


Figure 2. DAC

Table 4 shows the options available for the voltage references.

**Table 4. DAC Voltage References**

Terminal	Link (DB <sup>1</sup> )	Link (MB <sup>2</sup> )	Options	Description
A1	A2-B	A9	AC+	Connects Terminal A1 to V <sub>DD</sub> /2
			VDD	Connects Terminal A1 to V <sub>DD</sub>
W1	A3-B	BUF-W1		Connects Terminal W1 to an output buffer
B1		A10	AGND	
	A1 inserted			

<sup>1</sup> Daughter board

<sup>2</sup> Motherboard

The output voltage is defined in Equation 1.

$$V_{OUT} = (V_A) \times \frac{RDAC}{128} \tag{1}$$

where:

RDAC is the code loaded in the RDAC register.

V<sub>A</sub> is the voltage applied to the A terminal (A9 link).

However, by using the R34 external resistor, the user can reduce the voltage of the voltage references. In this case, use the A1 test point to measure the voltage applied to the A terminal and recalculate V<sub>A</sub> in Equation 1.

**AC Signal Attenuation**

RDAC can be used to attenuate an ac signal, which must be provided externally using the AC\_INPUT connector, as shown in Figure 3.

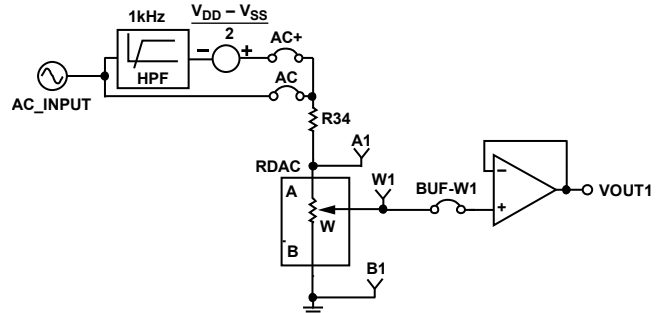


Figure 3. AC Signal Attenuator

Depending on the voltage supply rails and the dc offset voltage of the ac signal, various configurations can be used as described in Table 5.

**Table 5. AC Signal Attenuation Link Options**

Link	Options	Conditions
A9	AC+	No dc offset voltage. AC signal is outside the voltage supply rails due to the dc offset voltage. DC offset voltage ≠ V <sub>DD</sub> /2.
	AC	All other conditions.
A10	AGND	All other conditions.

The signal attenuation is defined in Equation 2.

$$Attenuation \text{ (dB)} = 20 \times \log \left( \frac{R_{WB} + R_W}{R_{END-TO-END}} \right) \tag{2}$$

where:

R<sub>WB</sub> is the resistor between the W and ground.

R<sub>W</sub> is the wiper resistance.

R<sub>END-TO-END</sub> is the end-to-end resistance value.

**Signal Amplifier**

RDAC can be operated as a noninverting signal amplifier supporting pseudo logarithmic gain. Table 6 shows the available configurations.

The noninverting amplifier with pseudologarithmic gain is shown in Table 6, and the gain is defined in Equation 4.

$$G = 1 + \frac{R_{AW}}{R_{WB}} \tag{4}$$

where:

$R_{AW}$  is the resistor between the W and A terminals.

$R_{WB}$  is the resistor between the W and B terminals.

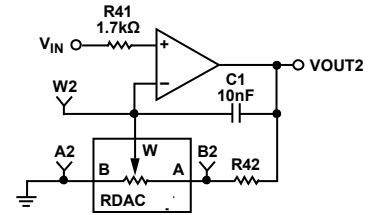


Figure 4. Pseudologarithmic Noninverting Amplifier

R42 can be used to set the maximum and minimum gain limits.

**Table 6. Amplifier Selection Link Options**

Amplifier	Gain	Link(DB <sup>1</sup> )	Link (MB <sup>2</sup> )	Label	V <sub>IN</sub> Range
Noninverting	Pseudo logarithmic	A2 = A3 = A4-A A1 not inserted	A7 A6 A8	LOC N-INV N-INV	0 V to V <sub>DD</sub>

<sup>1</sup> Daughter board

<sup>2</sup> Motherboard

## EVALUATION BOARD SOFTWARE

### INSTALLING THE SOFTWARE

The [EVAL-AD5247DBZ](#) evaluation kit includes evaluation board software provided on a CD. The software is compatible with Windows® XP, Windows Vista, and Windows 7 (both 32 bits and 64 bits).

Install the software before connecting the [SDP board](#) to the USB port of the PC to ensure that the SDP board is recognized when it is connected to the PC. To install the software, use the following steps:

1. Start the Windows operating system and insert the CD.
2. The installation software opens automatically. If it does not, run the **setup.exe** file from the CD.
3. After installation is completed, power up the evaluation board as described in the Power Supplies section.
4. Connect the [EVAL-AD5247DBZ](#) and EVAL-MB-LV-SDZ into the SDP board and the SDP board into the PC using the USB cable included in the evaluation kit.
5. When the software detects the evaluation board, follow the instructions that appear to finalize the installation.

### RUNNING THE SOFTWARE

To run the program, use the following steps:

1. Click **Start > All Programs > Analog Devices > AD5247 > AD5247 Eval Board**. To uninstall the program, click **Start > Control Panel > Add or Remove Programs > AD5247 Eval Board**.
2. If the SDP board is not connected to the USB port when the software is launched, a connectivity error displays (see Figure 5). Simply connect the evaluation board to the USB port of the PC, wait a few seconds, click **Rescan**, and follow the instructions.

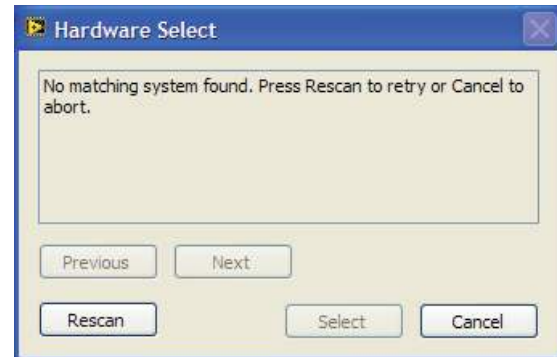


Figure 5. Pop-Up Window Error

The main window of the [EVAL-AD5247DBZ](#) evaluation software then opens, as shown in Figure 6.

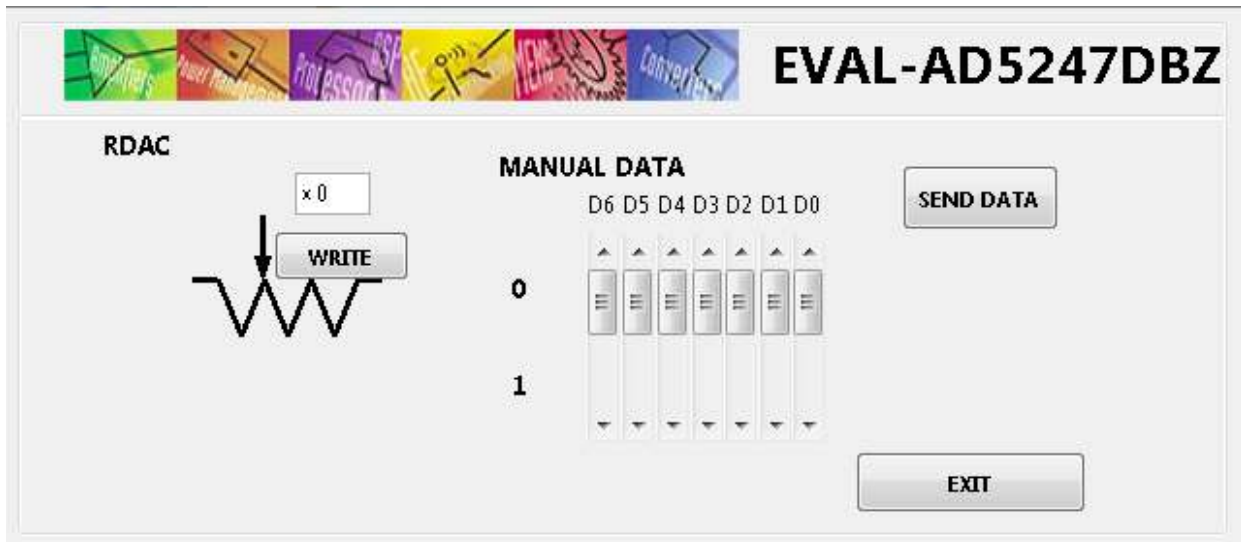


Figure 6. [EVAL-AD5247DBZ](#) Evaluation Board Software Main Window

**SOFTWARE OPERATION**

The main window of the [EVAL-AD5247DBZ](#) software is divided into the following sections: **RDAC** and **MANUAL DATA**.

**RDAC**

**WRITE** can be used to update the RDAC registers by entering a desirable value into the text box and clicking **WRITE**. When **WRITE** is clicked, a write/read operation is performed, and the value displayed in this section is updated with the actual RDAC register value. This function can be used to verify whether the write operation was completed successfully.

**MANUAL WRITE**

**SEND DATA** is a customized I<sup>2</sup>C data-word can be sent by manually switching the scroll bars from 0 to 1 or from 1 to 0 as desired and then clicking **SEND DATA**.

In addition, the scroll bars are updated on each write transfer, showing the command sent to the part.

**EXIT** closes the program.

SCHEMATICS AND ARTWORK  
MOTHERBOARD

10625-001

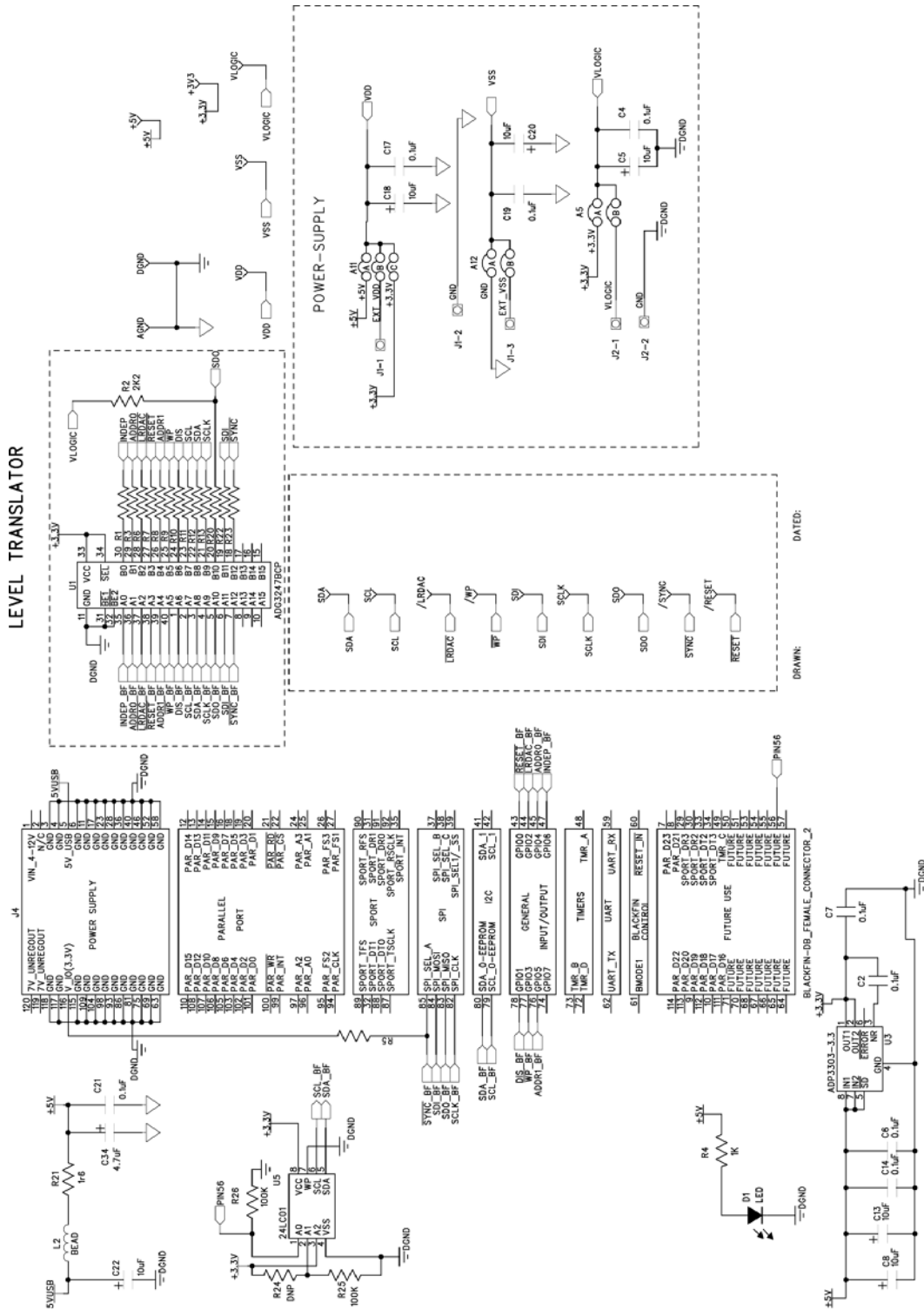
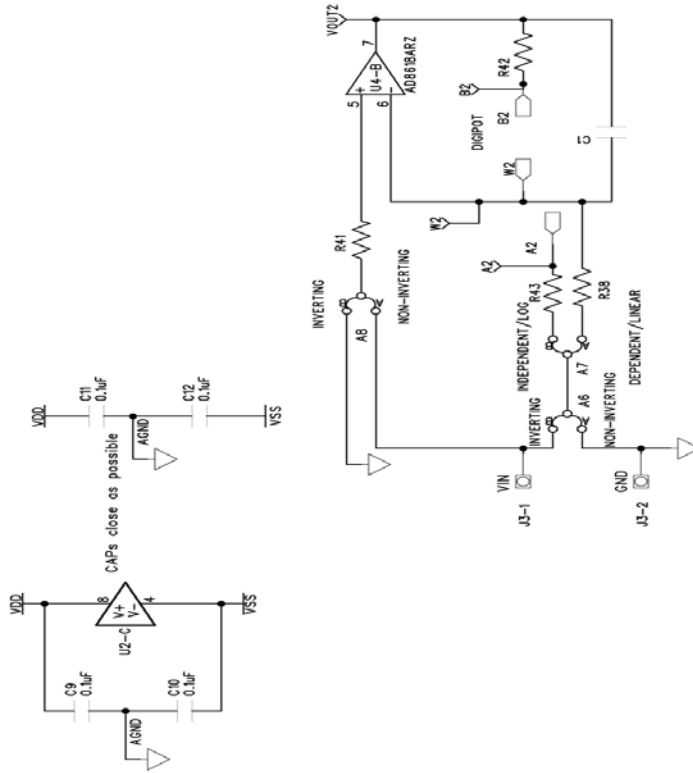
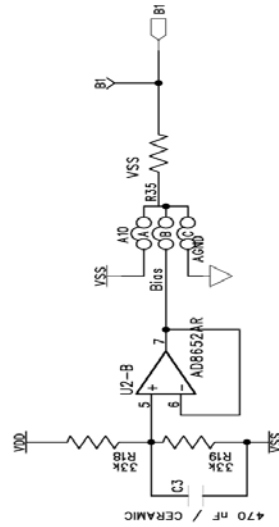
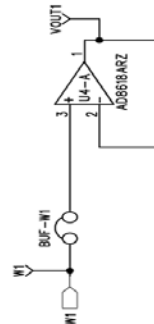
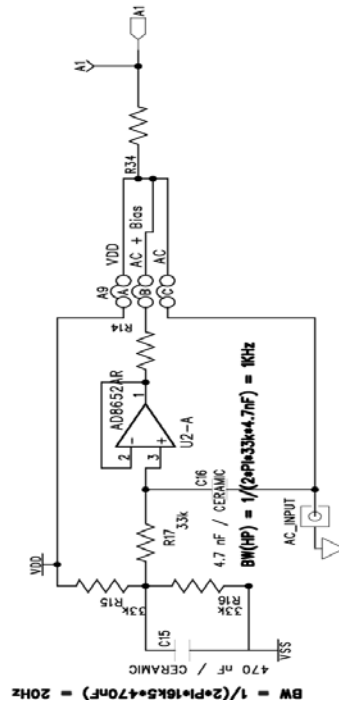


Figure 7. SDP Connector and Power Supply



800-52901

DAC + FLOATING DAC + BW



INVERTING AND NON-INVERTING WITH LINEAR AND PSEUDO-LOG GAIN

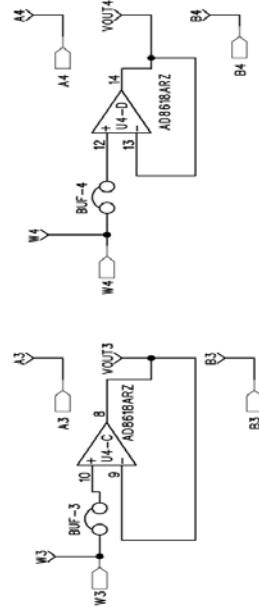


Figure 8. Schematic of Test Circuits

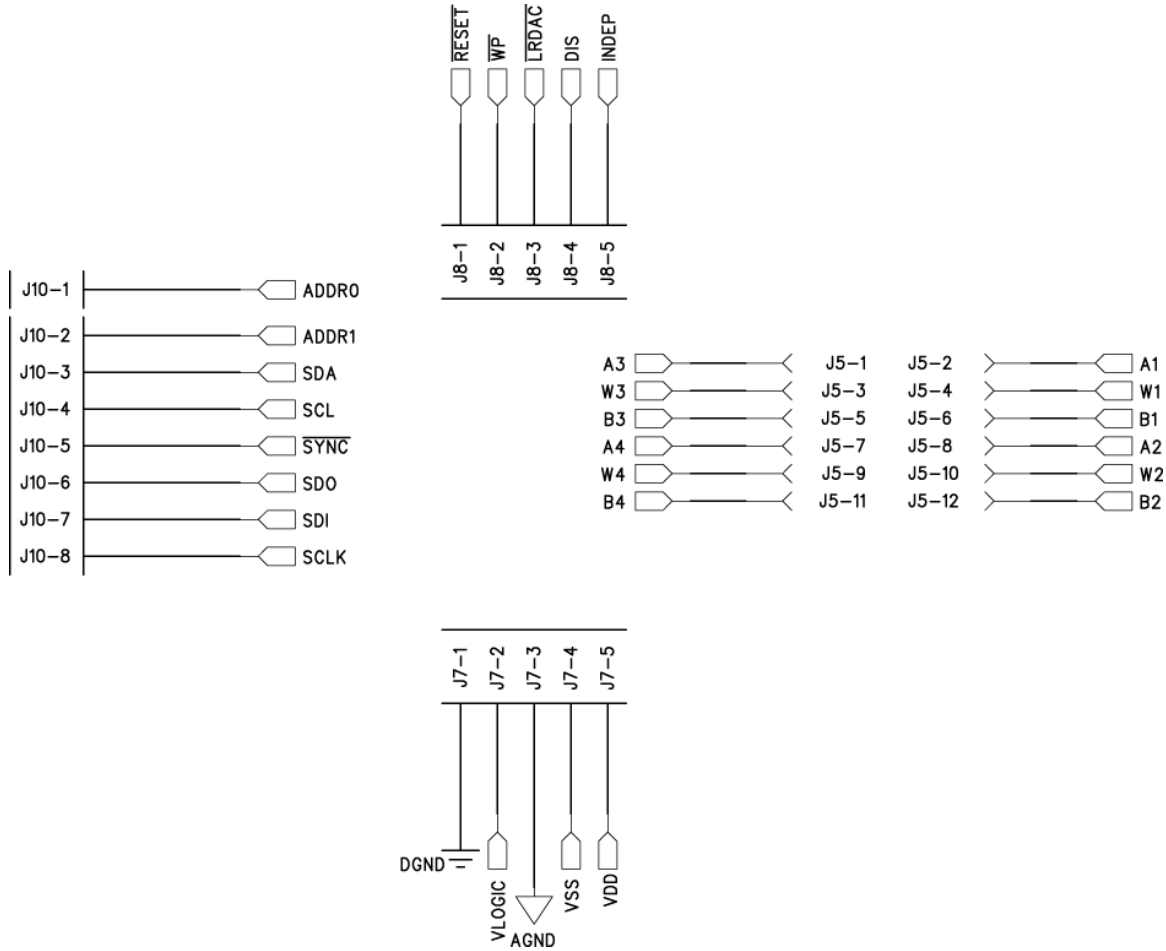


Figure 9. Schematic of Connectors to Daughter Board

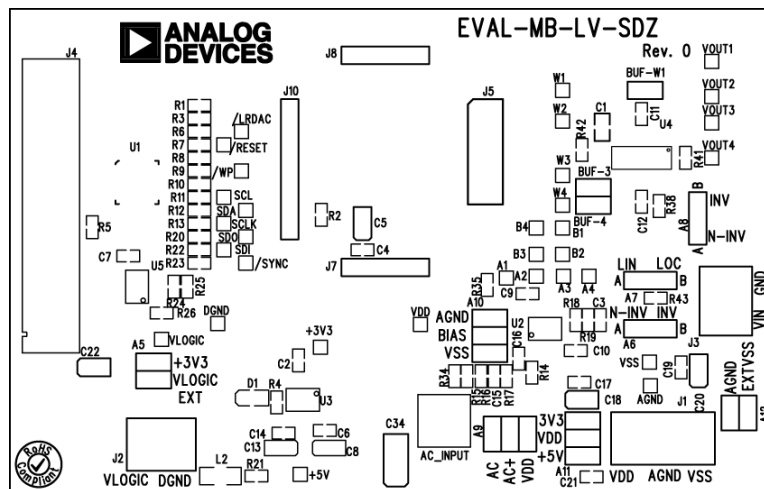


Figure 10. Component Side View

10625-009

10625-010

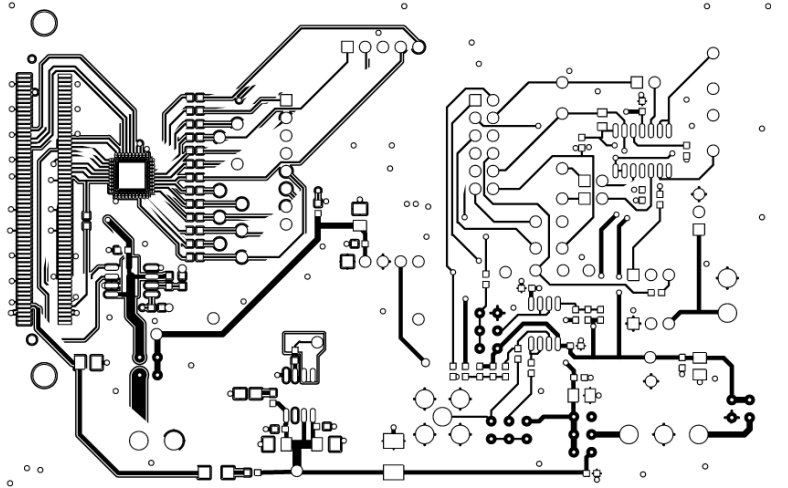


Figure 11. Component Placement Drawing

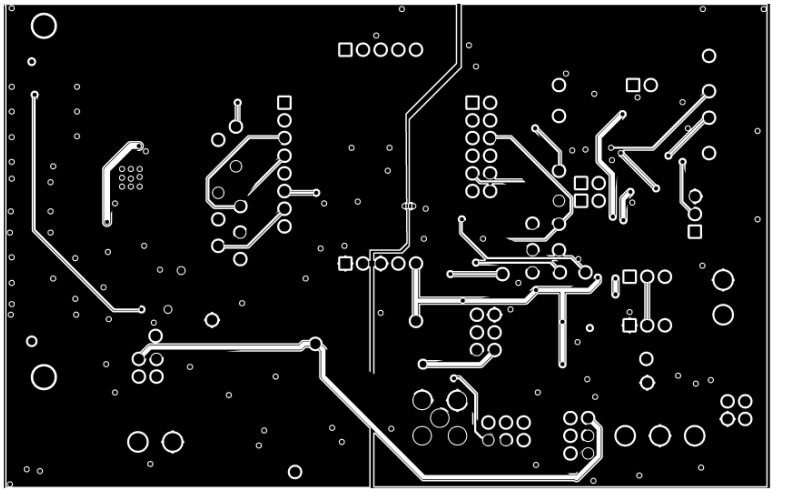


Figure 12. Layer 2 Side PCB Drawing

DAUGHTER BOARD

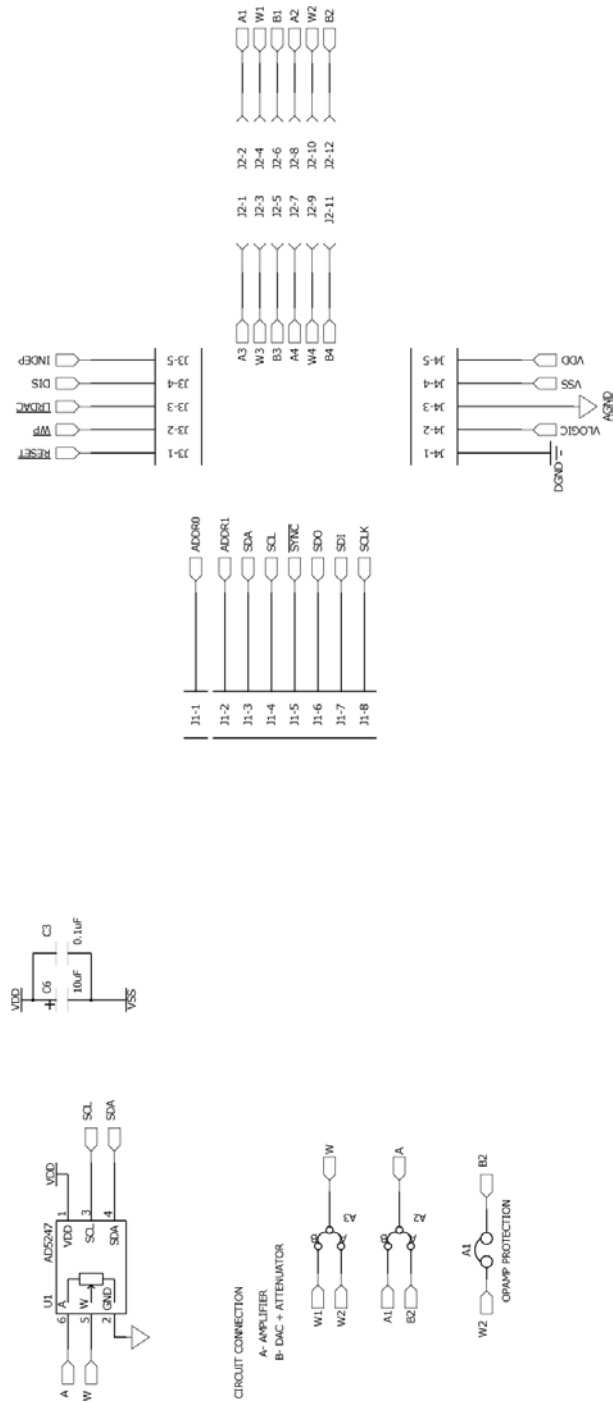


Figure 13. Schematic of Daughter Board

10625-013

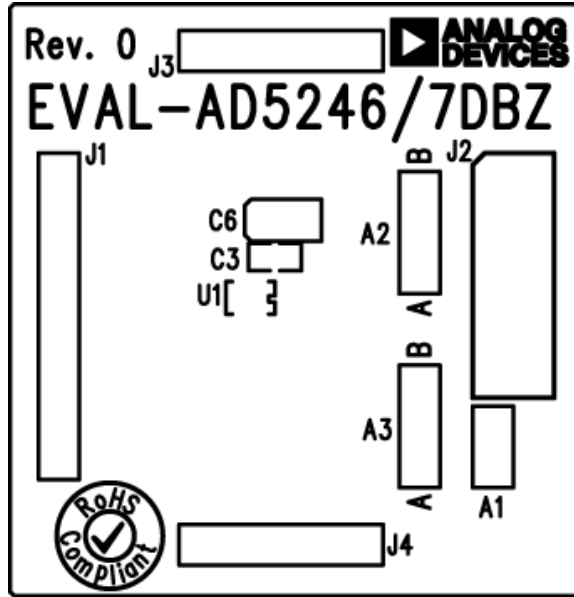


Figure 14. Component Side View

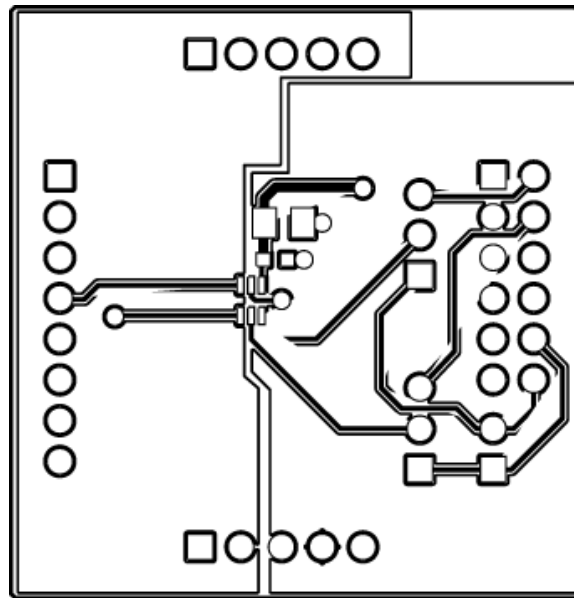


Figure 15. Component Placement Drawing

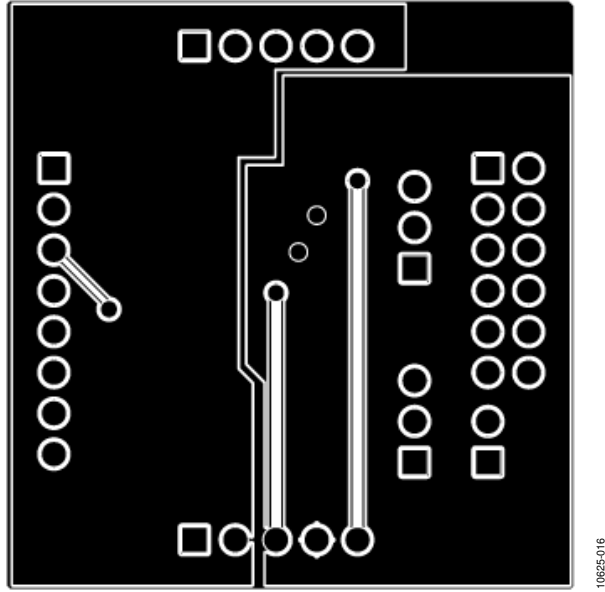


Figure 16. Layer 2 Side PCB Drawing

## ORDERING INFORMATION

### BILL OF MATERIALS

Table 7. Motherboard

Qty	Reference Designator	Description	Supplier <sup>1</sup> /Part Number
3	BUF-3, BUF-4, BUF-W1	2-pin (0.1" pitch) header and shorting shunt	FEC 1022247 and FEC 150-411
3	A6, A7, A8	3-pin SIL header and shorting link	FEC 1022248 and FEC 150410
5	A5, A9, A10, A11, A12	6-pin (3 × 2) 0.1" header and shorting block	FEC 148-535 and FEC 150-411 (36-pin strip)
1	J1	3-pin terminal block (5 mm pitch)	FEC 151790
2	J7, J8	4-pin SIL header	FEC 1098035
1	J4	Receptacle, 0.6 mm, 120-way	Digi-Key H1219-ND
1	J10	8-pin inline header; 100 mil centers	FEC 1098038
1	J5	12pin (2 × 6) 0.1" pitch header	FEC 1098051
2	J2, J3	2-pin terminal block (5 mm pitch)	FEC 151789
17	R1, R3, R6, R7, R8, R9, R10, R11, R12, R13, R20, R22, R23, R34, R35, R42, R43	SMD resistor 0 Ω, 0.01, 0603	FEC 9331662
1	R2	SMD resistor 2.2 kΩ, 0.01, 0603	FEC 1750676
1	R41	SMD resistor 1.7 kΩ, 1%, 0603	FEC 1170811
1	R21	Resistor, surge, 1.6 Ω, 1%, 0603	FEC 1627674
1	R38	SMD resistor, 2.7 kΩ, 1%, 0603	FEC 1750678
1	R14	SMD resistor 100 Ω, 1%, 0603	FEC 9330364
1	R4	SMD resistor 1 kΩ, 0.01, 0603	FEC 9330380
3	R5, R25, R26	SMD resistor 100 kΩ, 1%, 0603	FEC 9330402
5	R15, R16, R17, R18, R19	SMD resistor 33 kΩ, 1%, 0603	FEC 9331034
1	C1	SMD capacitor, 100 nF, 10%, 0805	FEC 165-0863
8	C4, C9, C10, C11, C12, C17, C19, C21	SMD capacitor, 0.1 μF, ±10%, 0603	FEC 1759122
4	C2, C6, C7, C14	SMD capacitor, 0.1 μF, ±10%, 0603	FEC 301-9482
2	C8, C13	SMD capacitor, 10 μF, ±10%	FEC 197-130
4	C18, C20, C22, C5	Capacitor 10 μF, ±20%	FEC 1190107
2	C3, C15	Capacitor 470 nF, ±10%, 0603	FEC 1414037
1	C16	Capacitor 4.7 nF, ±10%, 0603	FEC 1414642
1	C34	Capacitor 4.7 nF, ±20%	FEC 1432350
1	L2	Inductor, SMD, 600Z	FEC 9526862
1	D1	Green SMD LED	FEC 5790852
1	U1	2 port level translating bus switch	ADG3247BCPZ
1	U2	Dual op amp	AD8652ARZ
1	U3	Precision low dropout voltage regulator	ADP3303ARZ-3.3
1	U4	Operational amplifier	AD8618ARZ
1	U5	I <sup>2</sup> C serial EEPROM 64K 2.5 V MSOP-8	FEC 1331335
18	/LRDAC, /RESET, /SYNC, /WP, A1, A2, A3, A4, AGND, B1, VOUT_C1, VOUT_C2, VOUT3, VOUT4, W1, W2, W3, W4	Terminal, PCB, black, PK100, test point	FEC 8731128
5	+3V3, +5V, VDD, VLOGIC, VSS	Terminal, PCB, red, PK100	FEC 8731144

<sup>1</sup> FEC refers to Farnell Electronic Component Distributors; Digi-Key refers to Digi-Key Corporation.

Table 8. Daughter Board

Qty	Reference Designator	Description	Supplier <sup>1</sup> /Part Number
1	U1	256 position digital potentiometer	AD5246BKSZ10-RL7/ AD5247BKSZ10-RL7
1	A1	2-pin (0.1" pitch) header and shorting shunt	FEC 1022247 and FEC 150-411
2	A2, A3	3-pin SIL header and shorting link	FEC 1022248 and FEC 150410
1	C6	6.3 V tantalum capacitor (Case A) 10 $\mu$ F, $\pm$ 20%	FEC 1190107
1	C3	50 V X7R ceramic capacitor 0.1 $\mu$ F, $\pm$ 10%, 0603	FEC 1759122
1	J1	header, 2.54 mm, PCB, 1 $\times$ 8 way	FEC 1766172
1	J2	12-pin (2 $\times$ 6) 0.1" pitch header	FEC 1804099
2	J3, J4	5-pin SIL header	FEC 1929016

<sup>1</sup> FEC refers to Farnell Electronic Component Distributors; Digi-Key refers to Digi-Key Corporation.

<sup>1</sup>C refers to a communications protocol originally developed by Philips Semiconductors (now NXP Semiconductors).

**ESD Caution**

**ESD (electrostatic discharge) sensitive device.** Charged devices and circuit boards can discharge without detection. Although this product features patented or proprietary protection circuitry, damage may occur on devices subjected to high energy ESD. Therefore, proper ESD precautions should be taken to avoid performance degradation or loss of functionality.

**Legal Terms and Conditions**

By using the evaluation board discussed herein (together with any tools, components documentation or support materials, the "Evaluation Board"), you are agreeing to be bound by the terms and conditions set forth below ("Agreement") unless you have purchased the Evaluation Board, in which case the Analog Devices Standard Terms and Conditions of Sale shall govern. Do not use the Evaluation Board until you have read and agreed to the Agreement. Your use of the Evaluation Board shall signify your acceptance of the Agreement. This Agreement is made by and between you ("Customer") and Analog Devices, Inc. ("ADI"), with its principal place of business at One Technology Way, Norwood, MA 02062, USA. Subject to the terms and conditions of the Agreement, ADI hereby grants to Customer a free, limited, personal, temporary, non-exclusive, non-sublicensable, non-transferable license to use the Evaluation Board FOR EVALUATION PURPOSES ONLY. Customer understands and agrees that the Evaluation Board is provided for the sole and exclusive purpose referenced above, and agrees not to use the Evaluation Board for any other purpose. Furthermore, the license granted is expressly made subject to the following additional limitations: Customer shall not (i) rent, lease, display, sell, transfer, assign, sublicense, or distribute the Evaluation Board; and (ii) permit any Third Party to access the Evaluation Board. As used herein, the term "Third Party" includes any entity other than ADI, Customer, their employees, affiliates and in-house consultants. The Evaluation Board is NOT sold to Customer; all rights not expressly granted herein, including ownership of the Evaluation Board, are reserved by ADI. CONFIDENTIALITY. This Agreement and the Evaluation Board shall all be considered the confidential and proprietary information of ADI. Customer may not disclose or transfer any portion of the Evaluation Board to any other party for any reason. Upon discontinuation of use of the Evaluation Board or termination of this Agreement, Customer agrees to promptly return the Evaluation Board to ADI. ADDITIONAL RESTRICTIONS. Customer may not disassemble, decompile or reverse engineer chips on the Evaluation Board. Customer shall inform ADI of any occurred damages or any modifications or alterations it makes to the Evaluation Board, including but not limited to soldering or any other activity that affects the material content of the Evaluation Board. Modifications to the Evaluation Board must comply with applicable law, including but not limited to the RoHS Directive. TERMINATION. ADI may terminate this Agreement at any time upon giving written notice to Customer. Customer agrees to return to ADI the Evaluation Board at that time. LIMITATION OF LIABILITY. THE EVALUATION BOARD PROVIDED HEREUNDER IS PROVIDED "AS IS" AND ADI MAKES NO WARRANTIES OR REPRESENTATIONS OF ANY KIND WITH RESPECT TO IT. ADI SPECIFICALLY DISCLAIMS ANY REPRESENTATIONS, ENDORSEMENTS, GUARANTEES, OR WARRANTIES, EXPRESS OR IMPLIED, RELATED TO THE EVALUATION BOARD INCLUDING, BUT NOT LIMITED TO, THE IMPLIED WARRANTY OF MERCHANTABILITY, TITLE, FITNESS FOR A PARTICULAR PURPOSE OR NON-INFRINGEMENT OF INTELLECTUAL PROPERTY RIGHTS. IN NO EVENT WILL ADI AND ITS LICENSORS BE LIABLE FOR ANY INCIDENTAL, SPECIAL, INDIRECT, OR CONSEQUENTIAL DAMAGES RESULTING FROM CUSTOMER'S POSSESSION OR USE OF THE EVALUATION BOARD, INCLUDING BUT NOT LIMITED TO LOST PROFITS, DELAY COSTS, LABOR COSTS OR LOSS OF GOODWILL. ADI'S TOTAL LIABILITY FROM ANY AND ALL CAUSES SHALL BE LIMITED TO THE AMOUNT OF ONE HUNDRED US DOLLARS (\$100.00). EXPORT. Customer agrees that it will not directly or indirectly export the Evaluation Board to another country, and that it will comply with all applicable United States federal laws and regulations relating to exports. GOVERNING LAW. This Agreement shall be governed by and construed in accordance with the substantive laws of the Commonwealth of Massachusetts (excluding conflict of law rules). Any legal action regarding this Agreement will be heard in the state or federal courts having jurisdiction in Suffolk County, Massachusetts, and Customer hereby submits to the personal jurisdiction and venue of such courts. The United Nations Convention on Contracts for the International Sale of Goods shall not apply to this Agreement and is expressly disclaimed.