

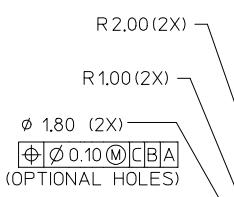
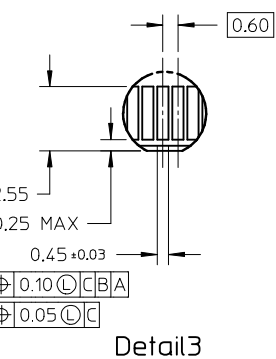
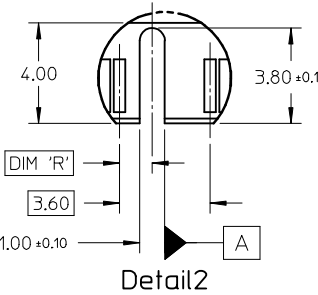
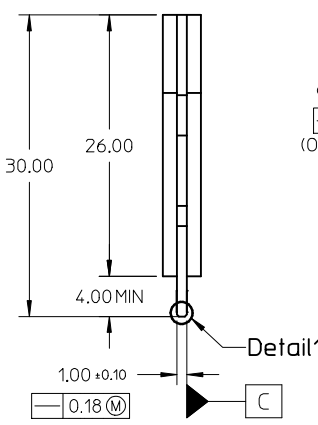
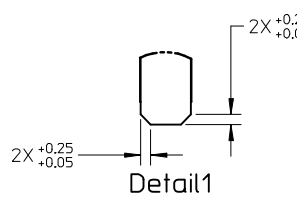
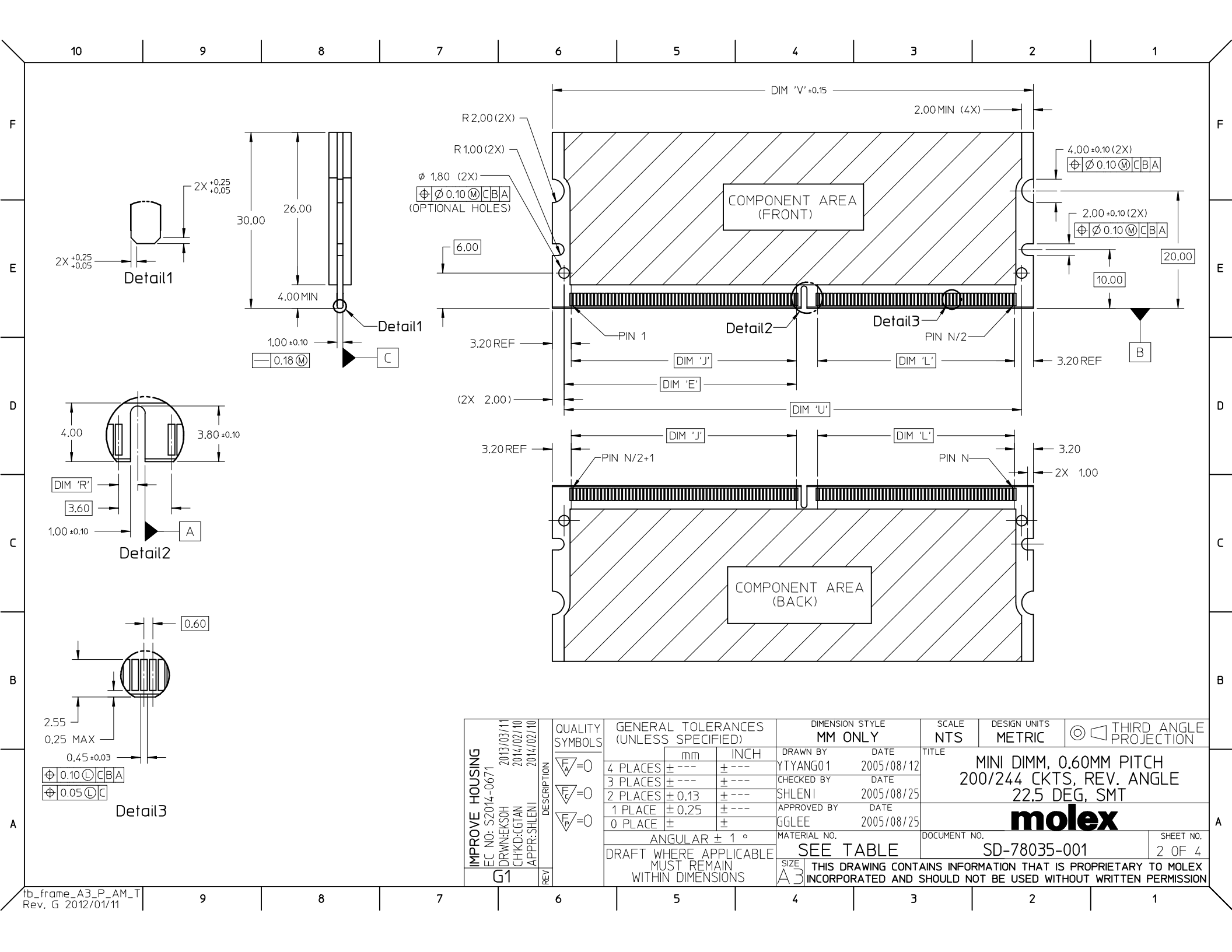
MINIMUM HEIGHT OF SOCKET WITH
MODULE CARD HEIGHT OF 30.00MM
AND THICKNESS OF 4MM.

- NOTES :
- MATERIAL :
HOUSING : HIGH TEMPERATURE LIQUID CRYSTAL POLYMER, UL94V-0
COLOUR : BLACK
CONTACTS : COPPER ALLOY
LATCHES : HIGH TEMPERATURE NYLON, UL94V-0
COLOUR : NATURAL (OFF-WHITE)
COVER : HIGH TEMPERATURE NYLON, UL 94V-0
COLOUR : BLACK

- FINISH
CONTACTS : 0.76 MICROMETER (30 MICROINCH) MIN GOLD OVER
1.25 MICROMETER (50 MICROINCH) MIN NICKEL
SMT TAIL : 2.54 MICROMETER (100 MICROINCH) MIN TIN OVER
1.25 MICROMETER (50 MICROINCH) MIN NICKEL
- ACCEPTS 1.0mm THICK MEMORY MODULE PER JEDEC MO-244 FOR 244 CKTS AND MO-258 FOR 200 CKTS.
- PRODUCT SPECIFICATION : PS-78035-001.
- PACKING SPECIFICATION: SEE TABLE IN SHEET 4.

6. DATE CODE SHALL BE MARKED LEGIBLY AS SHOWN : YY DDD.
7. PART NUMBER SHALL BE MARKED LEGIBLY AS SHOWN : 78035-XXXX (REFER TO TABLE).

IMPROVE HOUSING EC NO: S2014-0671 DRWINEKSOH 2013/03/11 CHKD:CGTAN 2014/02/10 APPR:SHLENI 2014/02/10	DESCRIPTION QUALITY SYMBOLS $F_A=0$ $F_G=0$ $F_P=0$	GENERAL TOLERANCES (UNLESS SPECIFIED)		DIMENSION STYLE MM ONLY		SCALE NTS	DESIGN UNITS METRIC	THIRD ANGLE PROJECTION		
			mm	INCH	DRAWN BY YTYANG01	DATE 2005/08/12	TITLE MINI DIMM, 0.60MM PITCH 200/244 CKTS, REV. ANGLE 22.5 DEG, SMT			
		4 PLACES ± --- ± --- 3 PLACES ± --- ± --- 2 PLACES ± 0.13 ± --- 1 PLACE ± 0.25 ± --- 0 PLACE ± ±			CHECKED BY SHLENI	DATE 2005/08/25				
		ANGULAR ± 1 ° DRAFT WHERE APPLICABLE MUST REMAIN WITHIN DIMENSIONS			APPROVED BY GGLEE	DATE 2005/08/25	molex			
G1	REV	MATERIAL NO. SEE TABLE		DOCUMENT NO. SD-78035-001		SHEET NO. 1 OF 4		THIS DRAWING CONTAINS INFORMATION THAT IS PROPRIETARY TO MOLEX INCORPORATED AND SHOULD NOT BE USED WITHOUT WRITTEN PERMISSION		



IMPROVE HOUSING	EC NO: S2014-0671	2013/03/11	DESCRIPTION
	DRW: EKS0H	2014/02/10	
	CHKD: CGTAN	2014/02/10	
	APPR: SHLENI	2014/02/10	
G1	REV		

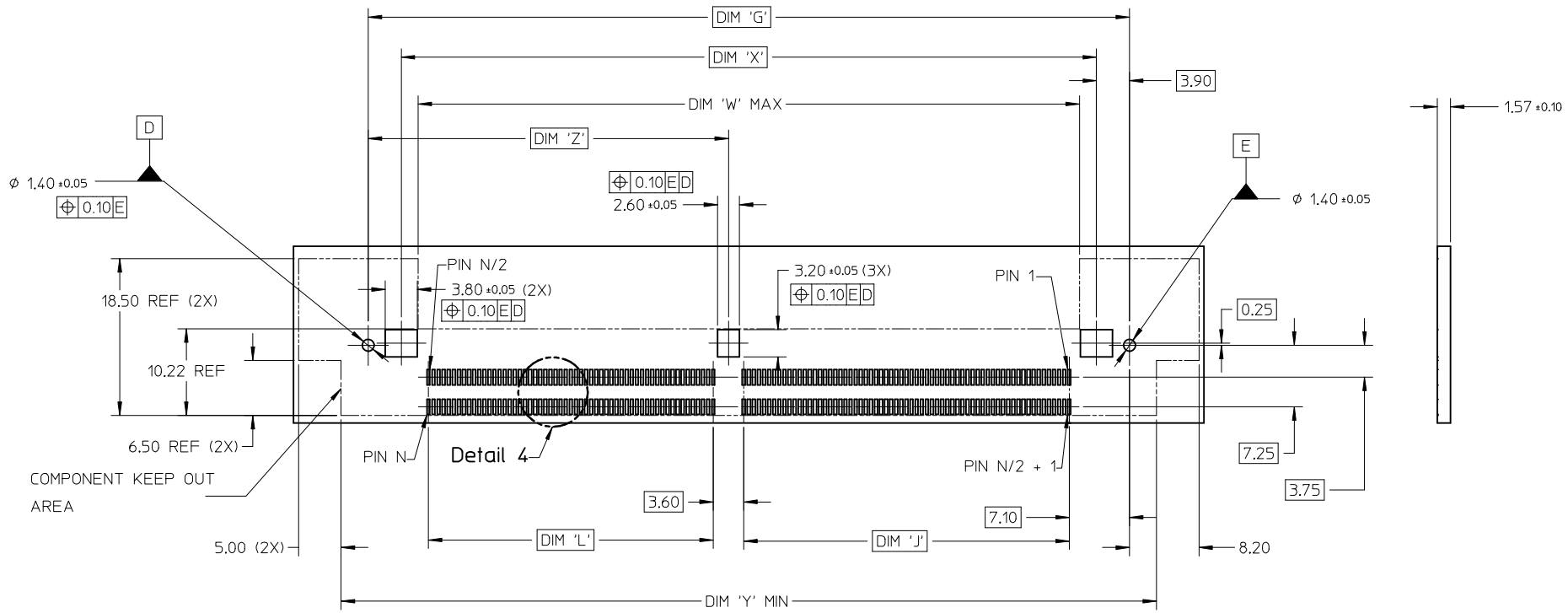
QUALITY SYMBOLS	FA=0	FB=0	FC=0
-----------------	------	------	------

GENERAL TOLERANCES (UNLESS SPECIFIED)	DIMENSION STYLE	
	mm	INCH
4 PLACES	± ---	± ---
3 PLACES	± ---	± ---
2 PLACES	± 0.13	± ---
1 PLACE	± 0.25	± ---
0 PLACE	±	±
ANGULAR ± 1 °		
DRAFT WHERE APPLICABLE MUST REMAIN WITHIN DIMENSIONS		

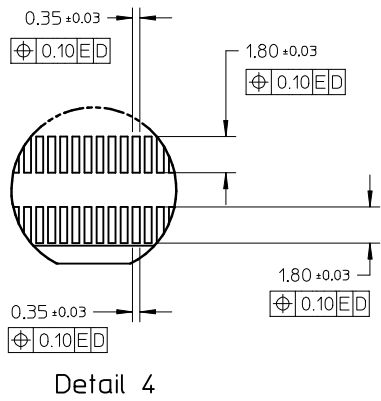
DIMENSION STYLE		SCALE	DESIGN UNITS	THIRD ANGLE PROJECTION
MM ONLY		NTS	METRIC	
DRAWN BY	DATE	TITLE		
YTYANG01	2005/08/12	MINI DIMM, 0.60MM PITCH		
CHECKED BY	DATE	200/244 CKTS, REV. ANGLE		
SHLENI	2005/08/25	22.5 DEG, SMT		
APPROVED BY	DATE	molex		
GGLEE	2005/08/25			
MATERIAL NO.		DOCUMENT NO.	SHEET NO.	
SEE TABLE		SD-78035-001	2 OF 4	

THIS DRAWING CONTAINS INFORMATION THAT IS PROPRIETARY TO MOLEX INCORPORATED AND SHOULD NOT BE USED WITHOUT WRITTEN PERMISSION				
---	--	--	--	--

10 9 8 7 6 5 4 3 2 1



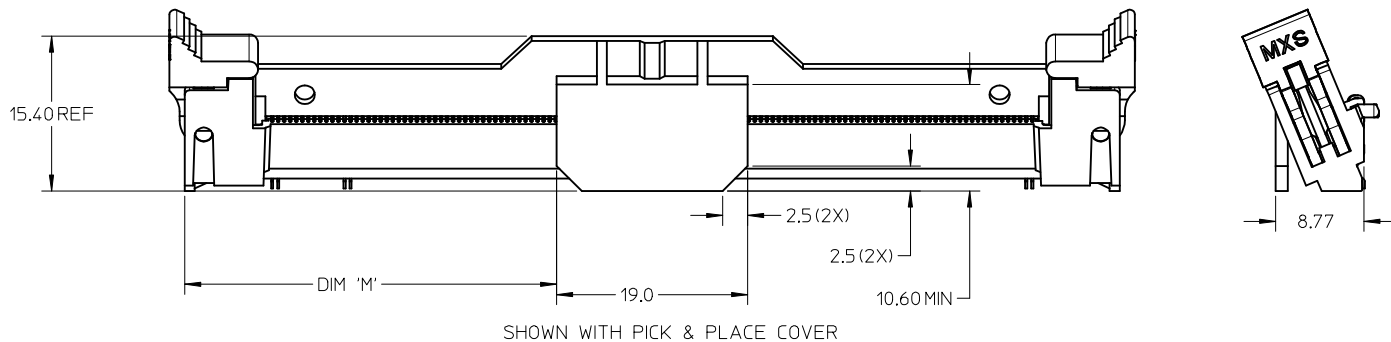
RECOMMENDED PCB LAYOUT



IMPROVE HOUSING EC NO: S2014-0671 DRW: KEK30H CHKD: CGTAN APPR: SILENI 2013/03/11 2014/02/10 2014/02/10	DESCRIPTION REV G1	QUALITY SYMBOLS	GENERAL TOLERANCES (UNLESS SPECIFIED)	DIMENSION STYLE	SCALE	DESIGN UNITS	THIRD ANGLE PROJECTION																		
		$F_{\Delta} = 0$ $F_{\sigma} = 0$ $F_{\rho} = 0$	<table border="1"> <tr> <th></th> <th>mm</th> <th>INCH</th> </tr> <tr> <td>4 PLACES</td> <td>± ---</td> <td>± ---</td> </tr> <tr> <td>3 PLACES</td> <td>± ---</td> <td>± ---</td> </tr> <tr> <td>2 PLACES</td> <td>± 0.13</td> <td>± ---</td> </tr> <tr> <td>1 PLACE</td> <td>± 0.25</td> <td>± ---</td> </tr> <tr> <td>0 PLACE</td> <td>±</td> <td>±</td> </tr> </table>		mm	INCH	4 PLACES	± ---	± ---	3 PLACES	± ---	± ---	2 PLACES	± 0.13	± ---	1 PLACE	± 0.25	± ---	0 PLACE	±	±	MM ONLY	NTS	METRIC	
			mm	INCH																					
		4 PLACES	± ---	± ---																					
3 PLACES	± ---	± ---																							
2 PLACES	± 0.13	± ---																							
1 PLACE	± 0.25	± ---																							
0 PLACE	±	±																							
DRAFT WHERE APPLICABLE MUST REMAIN WITHIN DIMENSIONS	ANGULAR ± 1 ° SEE TABLE	DRAWN BY: YTYANG01 CHECKED BY: SHLENI APPROVED BY: GGLEE	DATE: 2005/08/12 DATE: 2005/08/25 DATE: 2005/08/25	TITLE: MINI DIMM, 0.60MM PITCH 200/244 CKTS, REV. ANGLE 22.5 DEG, SMT		MATERIAL NO. DOCUMENT NO. SD-78035-001	SHEET NO. 3 OF 4																		
THIS DRAWING CONTAINS INFORMATION THAT IS PROPRIETARY TO MOLEX INCORPORATED AND SHOULD NOT BE USED WITHOUT WRITTEN PERMISSION																									

9 8 7 6 5 4 3 2 1

10 9 8 7 6 5 4 3 2 1



CKT. SIZE 'N'	PART NUMBER	MODULE CARD	VOLTAGE KEY	DIM 'R'	DIM 'E'	DIM 'J'	DIM 'L'	DIM 'M'	DIM 'P'	DIM 'G'	DIM 'S'	DIM 'T'	DIM 'U'	DIM 'V'	DIM 'W'	DIM 'X'	DIM 'Y'	DIM 'Z'	DIM 'A'	DIM 'B'	TRAY P/N PACKAGING SPEC
244	78035-0001	DDR2	1.8 V	1.30	39.60	38.40	33.60	37.0	79.0	89.80	96.0	106.20	78.00	82.00	78.0	82.00	96.20	42.50	93.0	75.60	89990-8198
	78035-0301	DDR3	1.5 V	2.30																	89990-8199
	78035-6301																				78888-8026
	78035-6001	DDR2	1.8 V	1.30																	PK-78035-003 (HARDTRAY)
200	78035-0201	DDR2	1.8 V	1.30	24.60	23.40	35.40	30.40	65.8	76.60	82.8	93.00	64.80	68.80	64.8	68.80	83.00	44.30	79.8	62.40	89990-8196
	78035-0202	DDR	2.5 V	2.30	89990-8197																
																					PK-78035-002

IMPROVE HOUSING EC NO: S2014-0671 DRW: MEXSOH 2013/03/11 CHK: D:CGTAN 2014/02/10 APPR: SHLENI 2014/02/10	QUALITY SYMBOLS	GENERAL TOLERANCES (UNLESS SPECIFIED)	DIMENSION STYLE	SCALE	DESIGN UNITS	THIRD ANGLE PROJECTION
	$F_A=0$ $F_G=0$ $F_P=0$	mm INCH 4 PLACES ± --- ± --- 3 PLACES ± --- ± --- 2 PLACES ± 0.13 ± --- 1 PLACE ± 0.25 ± --- 0 PLACE ± ±	MM ONLY	NTS	METRIC	
	DRAWN BY: YTYANG01 CHECKED BY: SHLENI APPROVED BY: GGLEE DATE: 2005/08/12 DATE: 2005/08/25 DATE: 2005/08/25	MATERIAL NO. SEE TABLE	TITLE MINI DIMM, 0.60MM PITCH 200/244 CKTS, REV. ANGLE 22.5 DEG, SMT			
	ANGULAR ± 1 ° DRAFT WHERE APPLICABLE MUST REMAIN WITHIN DIMENSIONS	SIZE A3	DOCUMENT NO. SD-78035-001			

9 8 7 6 5 4 3 2 1