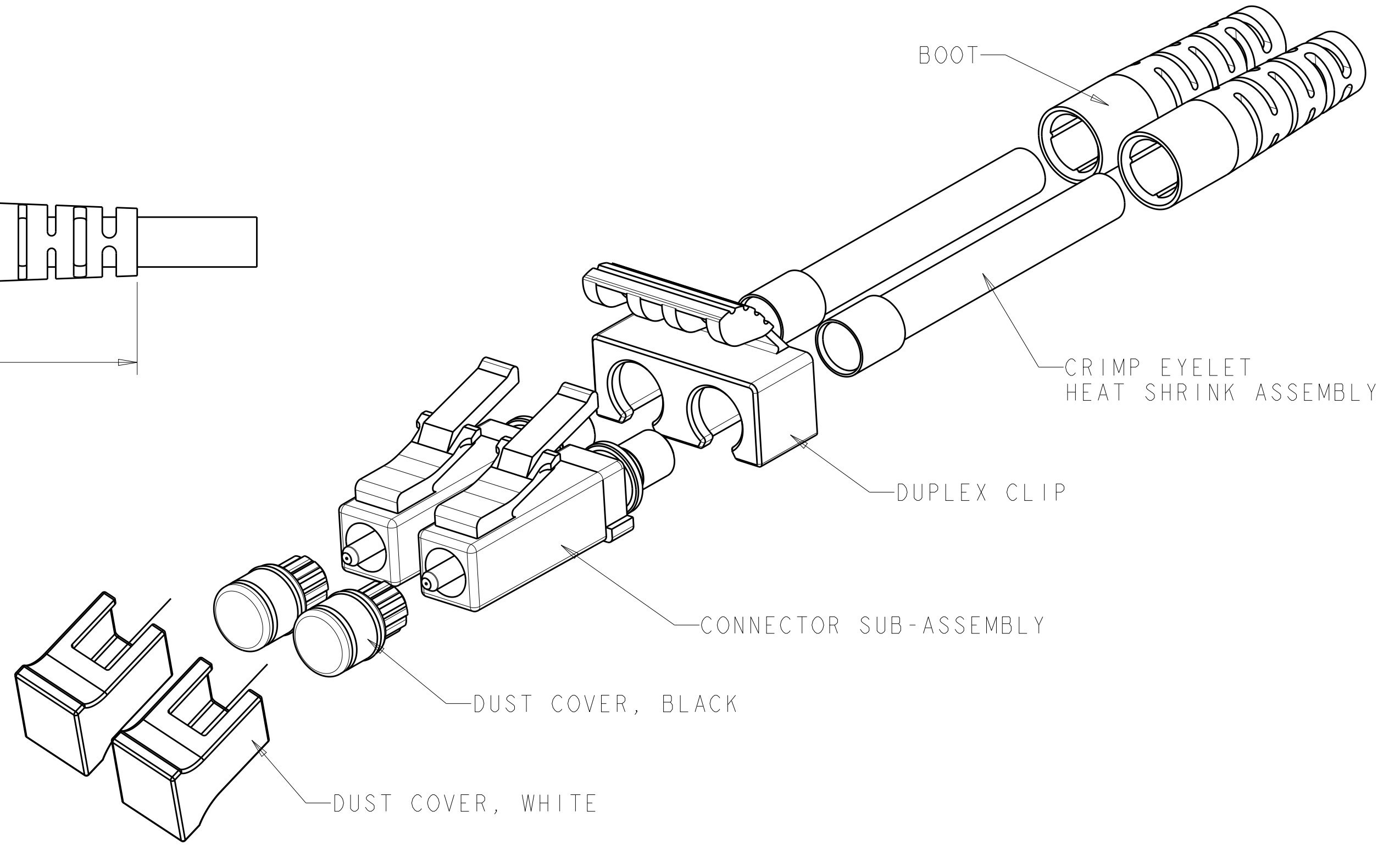
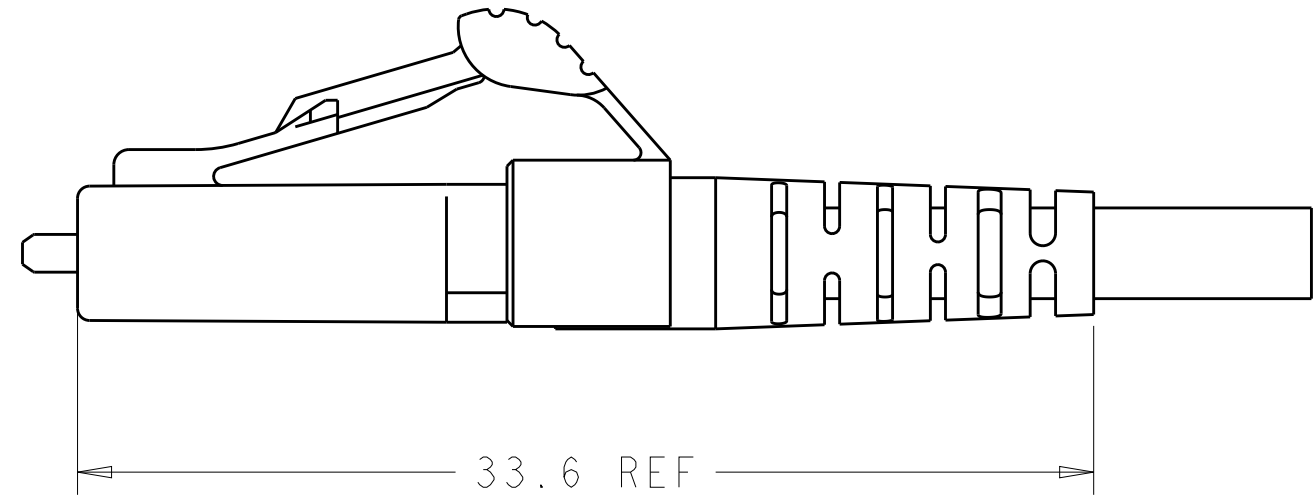
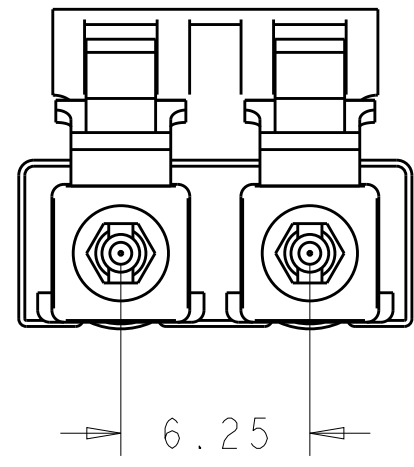
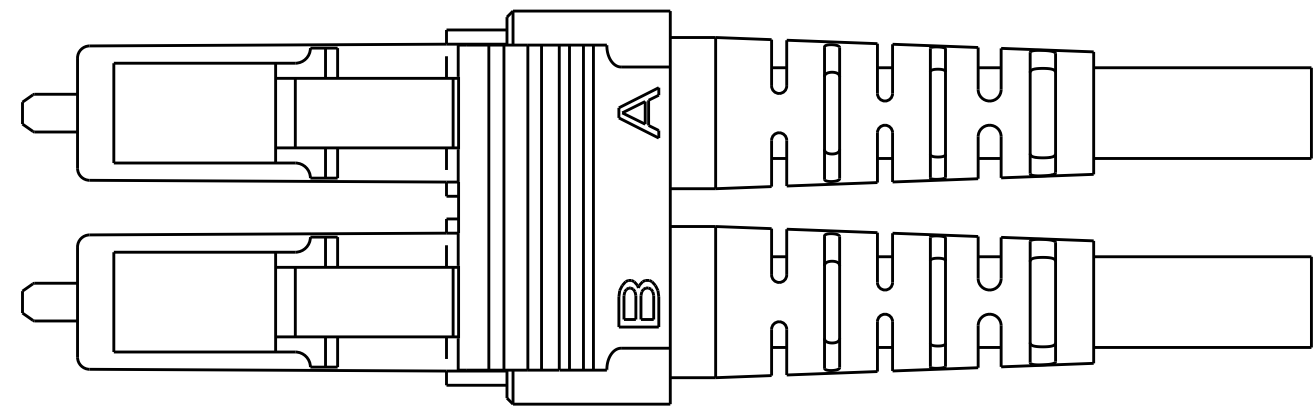


THIS DRAWING IS UNPUBLISHED. RELEASED FOR PUBLICATION 20  
 © COPYRIGHT 20 BY - ALL RIGHTS RESERVED.

| LOC | DIST | REVISIONS |     |                           |           |     |      |
|-----|------|-----------|-----|---------------------------|-----------|-----|------|
| CE  | 00   | P         | LTR | DESCRIPTION               | DATE      | DWN | APVD |
|     |      | A         |     | UPDATE THE REV "I" TO "A" | 23JUL2014 | KZ  | RZ   |



1. PRODUCT AND PROCESSING MUST MEET REQUIREMENTS OF TEC-138-702.
2. BULK PACKAGE

|                  |            |                   |               |             |             |
|------------------|------------|-------------------|---------------|-------------|-------------|
| WHITE            | BLUE       | YELLOW            | BLUE          | SINGLEMODE  | 2148524-4   |
| WHITE            | BEIGE      | YELLOW            | BEIGE         | MULTIMODE   | 2148524-3   |
| BLACK            | BLUE       | YELLOW            | BLUE          | SINGLEMODE  | 2148524-2   |
| BLACK            | BEIGE      | YELLOW            | BEIGE         | MULTIMODE   | 2148524-1   |
| DUST COVER COLOR | BOOT COLOR | HEAT SHRINK COLOR | HOUSING COLOR | DESCRIPTION | PART NUMBER |

THIS DRAWING IS A CONTROLLED DOCUMENT.

|                  |  |                  |              |                                      |           |            |               |
|------------------|--|------------------|--------------|--------------------------------------|-----------|------------|---------------|
| DIMENSIONS:      | TOLERANCES UNLESS OTHERWISE SPECIFIED: | DWN              | 21AUG2012    | TE Connectivity                      |           |            |               |
| mm               | 0 PLC ±                                | CHK              | 21AUG2012    |                                      |           |            |               |
|                  | 1 PLC ±                                | APVD             | 21AUG2012    |                                      |           |            |               |
|                  | 2 PLC ±                                | NAME             | RICHARD ZHAO |                                      |           |            |               |
|                  | 3 PLC ±                                | PRODUCT SPEC     |              | CONNECTOR KIT, ULTRA SHORT LC DUPLEX |           |            |               |
|                  | 4 PLC ±                                | APPLICATION SPEC |              |                                      |           |            |               |
| MATERIAL         | FINISH                                 | WEIGHT           |              | SIZE                                 | CAGE CODE | DRAWING NO | RESTRICTED TO |
|                  |  |                  |              | A2                                   | 00779     | C-2148524  |               |
| Customer Drawing |  |                  | SCALE        | 7:1                                  | SHEET     | 1 OF 1     | REV           |
|                  |  |                  | A            |                                      |           |            |               |