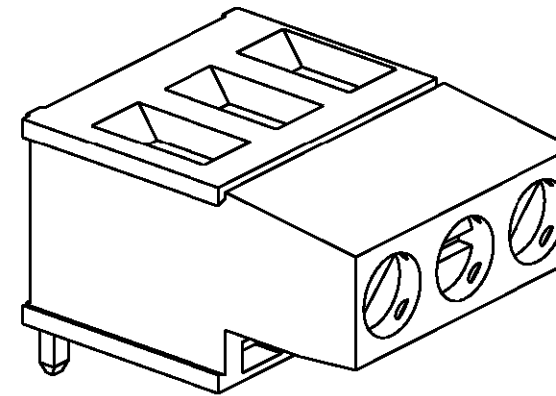
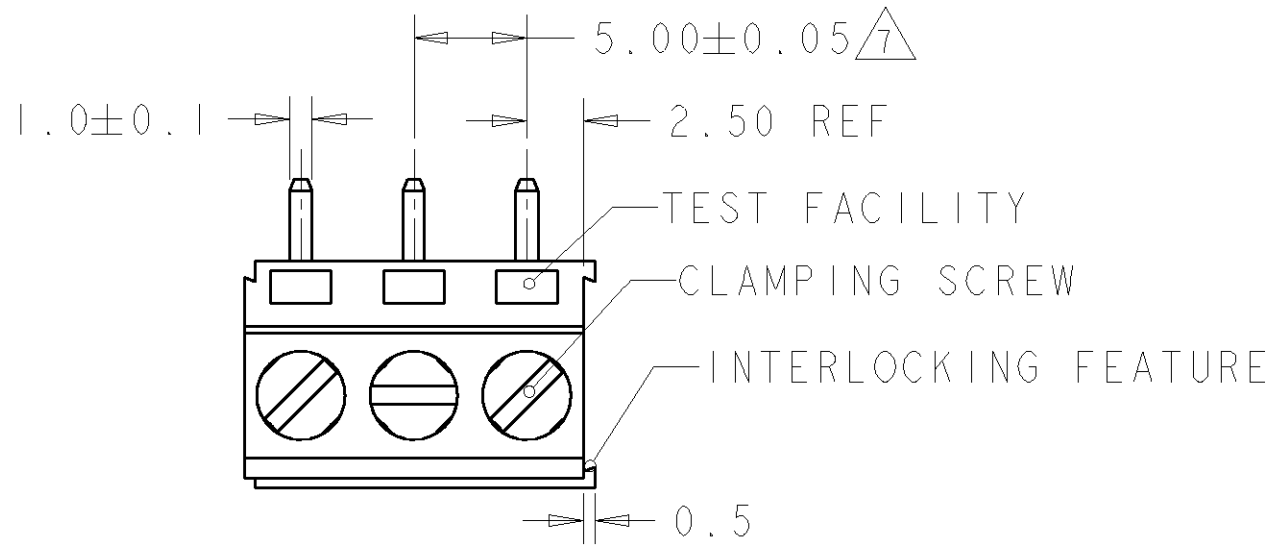
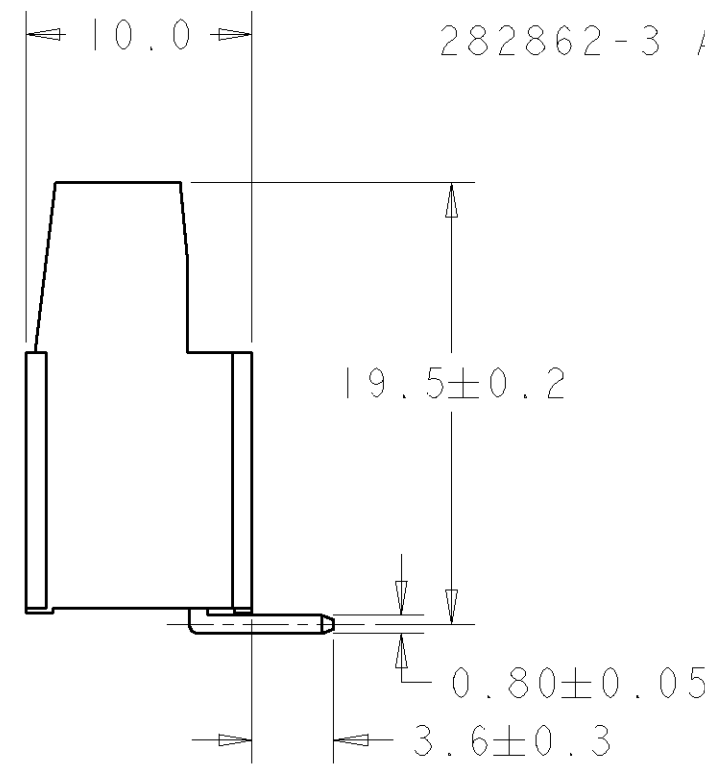
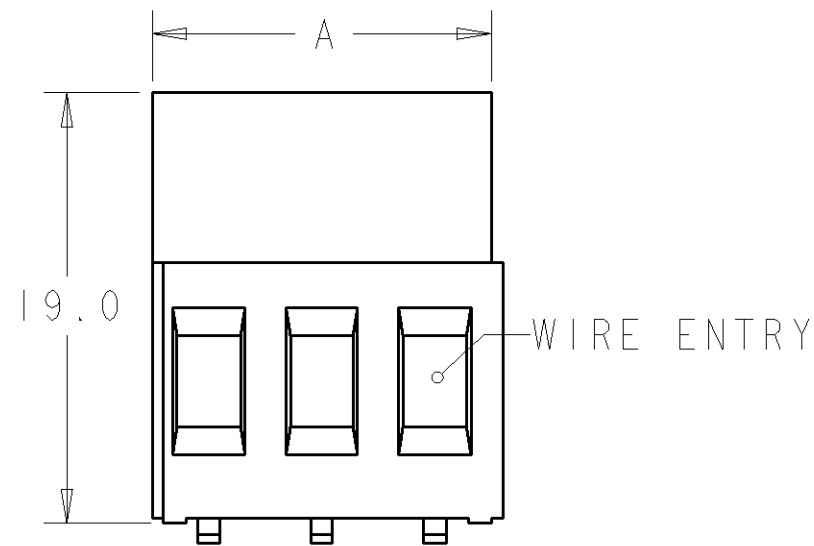


THIS DRAWING IS UNPUBLISHED. RELEASED FOR PUBLICATION 20
 © COPYRIGHT 20 BY TYCO ELECTRONICS CORPORATION. ALL RIGHTS RESERVED.

| LOC | DIST | REVISIONS | | | |
|-----|------|-------------|--------------------------|-----------|-------|
| P | LTR | DESCRIPTION | DATE | DWN | APVD |
| FT | 0 | | | | |
| | | D | REVISED PER 0G3B-0106-01 | 06SEP2001 | EZ DB |
| | | E | REVISED PER 0G3B-0119-01 | 06SEP2001 | EZ DB |

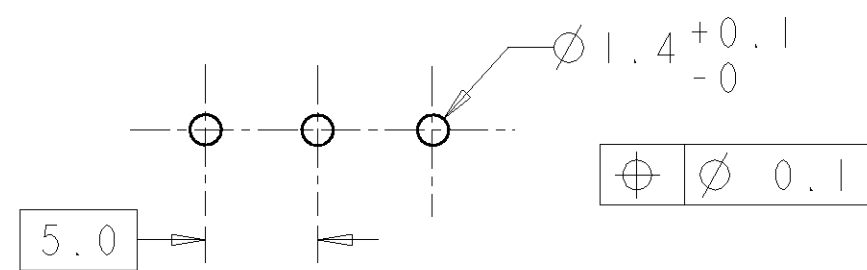


282862-3 AS SHOWN



| 125 | 25 | 2-282862-5 |
|--------|------------|-------------|
| 120 | 24 | 2-282862-4 |
| 115 | 23 | 2-282862-3 |
| 110 | 22 | 2-282862-2 |
| 105 | 21 | 2-282862-1 |
| 100 | 20 | 2-282862-0 |
| 95 | 19 | 1-282862-9 |
| 90 | 18 | 1-282862-8 |
| 85 | 17 | 1-282862-7 |
| 80 | 16 | 1-282862-6 |
| 75 | 15 | 1-282862-5 |
| 70 | 14 | 1-282862-4 |
| 65 | 13 | 1-282862-3 |
| 60 | 12 | 1-282862-2 |
| 55 | 11 | 1-282862-1 |
| 50 | 10 | 1-282862-0 |
| 45 | 9 | 282862-9 |
| 40 | 8 | 282862-8 |
| 35 | 7 | 282862-7 |
| 30 | 6 | 282862-6 |
| 25 | 5 | 282862-5 |
| 20 | 4 | 282862-4 |
| 15 | 3 | 282862-3 |
| 10 | 2 | 282862-2 |
| DIM. A | N° OF POS. | PART NUMBER |


RECOMMENDED PC BOARD LAYOUT



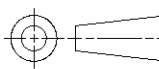
| | | | | | |
|---|--|--|--|---|--|
| <small>THIS DRAWING IS A CONTROLLED DOCUMENT FOR TYCO ELECTRONICS CORPORATION IT IS SUBJECT TO CHANGE AND THE CONTROLLING ENGINEERING ORGANIZATION SHOULD BE CONTACTED FOR THE LATEST REVISION.</small> | | DWN 06SEP2001 E. ZANOLINI CHK 06SEP2001 D. BIEVENOUR APVD 06SEP2001 D. BIEVENOUR | | BUCHANAN Tyco Electronics Harrisburg, PA 17105-3608 | |
| DIMENSIONS: mm | | TOLERANCES UNLESS OTHERWISE SPECIFIED: 0 PLC ±- 1 PLC ±.3 2 PLC ±.25 3 PLC ±- 4 PLC ±- ANGLES ±2 | | NAME TERMINAL BLOCK PCB MOUNT TOP ENTRY WIRE, STACKING W/ INTERLOCK, 5mm PITCH | |
| MATERIAL Δ - | | FINISH Δ - | | PRODUCT SPEC - APPLICATION SPEC 114-20079 WEIGHT - | |
| CUSTOMER DRAWING | | | | SIZE A3 CAGE CODE 00779 DRAWING NO C=282862 RESTRICTED TO - | |
| SCALE 3:1 | | | | SHEET 1 OF 2 REV E | |

THIS DRAWING IS UNPUBLISHED. RELEASED FOR PUBLICATION 20
 © COPYRIGHT 20 BY TYCO ELECTRONICS CORPORATION. ALL RIGHTS RESERVED.

| LOC | DIST | REVISIONS | | | | | |
|-----|------|-----------|-----|-------------|------|-----|------|
| | | P | LTR | DESCRIPTION | DATE | DWN | APVD |
| FT | 0 | | - | SEE SHEET 1 | - | - | - |
| | | | | | | | |
| | | | | | | | |

- 1  MATERIALS AND FINISH
 HOUSING: PA 6-6, UL 94-V0, COLOR GREEN.
 CLAMP: BRASS, NICKEL PLATED.
 TERMINAL: BRASS, TIN PLATED.
 CLAMPING SCREW: M3, BRASS, NICKEL PLATED.
- 2 SUITABLE FOR 1,6-2,4mm PC BOARD THICKNESS.
- 3 END-TO-END STACKABLE W/INTERLOCK WITHOUT LOSS OF CENTERLINE SPACING.
- 4 WIRE SIZE RANGE
 SOLID WIRE: 0,03-4mm² (11AWG).
 STRANDED WIRE: 0,03-2,5mm² (13AWG).
- 5 RECOGNIZED UNDER THE COMPONENT PROGRAM OF UNDERWRITERS LABORATORIES INC., FILE N° E60677.
- 6 IMQ CERTIFICATE WITH SURVEILLANCE IN CONFORMITY WITH IEC 998-1/998-2-1.

7  NOT CUMULATIVE TOLERANCE.

| | | | | |
|---|--|--------------------------------|---|---------------------|
| <small>THIS DRAWING IS A CONTROLLED DOCUMENT FOR TYCO ELECTRONICS CORPORATION IT IS SUBJECT TO CHANGE AND THE CONTROLLING ENGINEERING ORGANIZATION SHOULD BE CONTACTED FOR THE LATEST REVISION.</small> | | DWN 06SEP2001 E. ZANOLINI | BUCHANAN Tyco Electronics Harrisburg, PA 17105-3608 | |
| DIMENSIONS: mm  | | CHK 06SEP2001 D. BIEVENOUR | | |
| TOLERANCES UNLESS OTHERWISE SPECIFIED: 0 PLC ±- 1 PLC ±.2 2 PLC ±.15 3 PLC ±- 4 PLC ±- ANGLES ±2 | | APVD 06SEP2001 D. BIEVENOUR | PRODUCT SPEC - | RESTRICTED TO - |
| MATERIAL - | | FINISH - | APPLICATION SPEC - | SIZE A3 |
| | | | WEIGHT - | CAGE CODE 00779 |
| | | | CUSTOMER DRAWING | DRAWING NO C-282862 |
| | | | | SCALE 3:1 |
| | | | | SHEET 2 OF 2 |
| | | | | REV E |