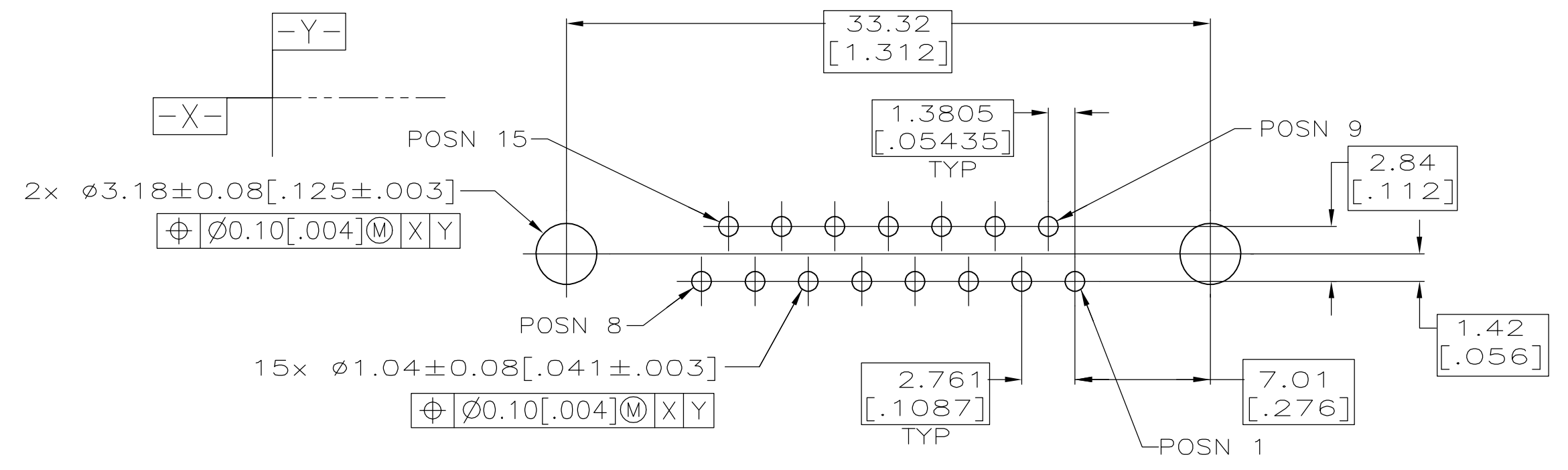
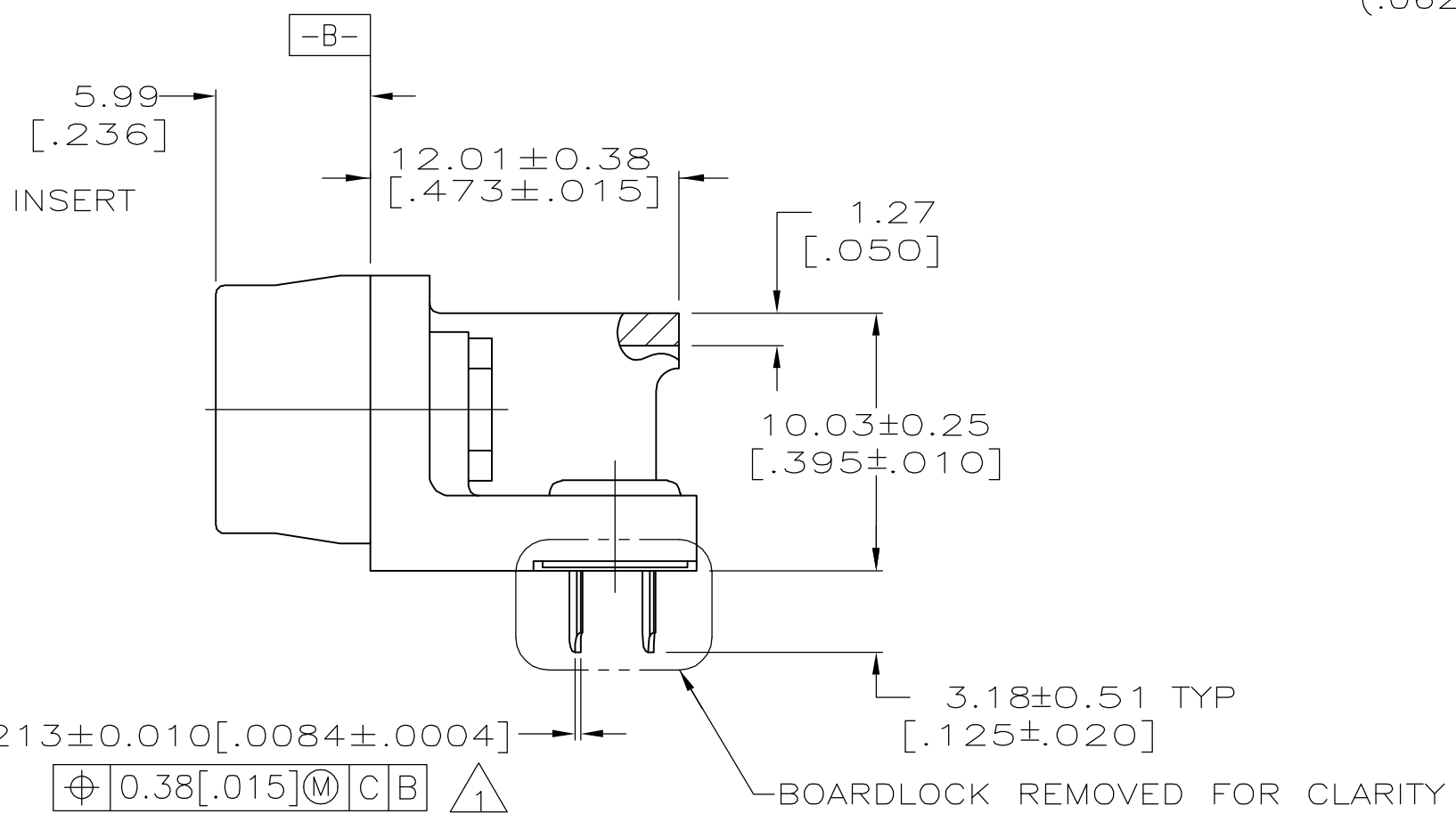
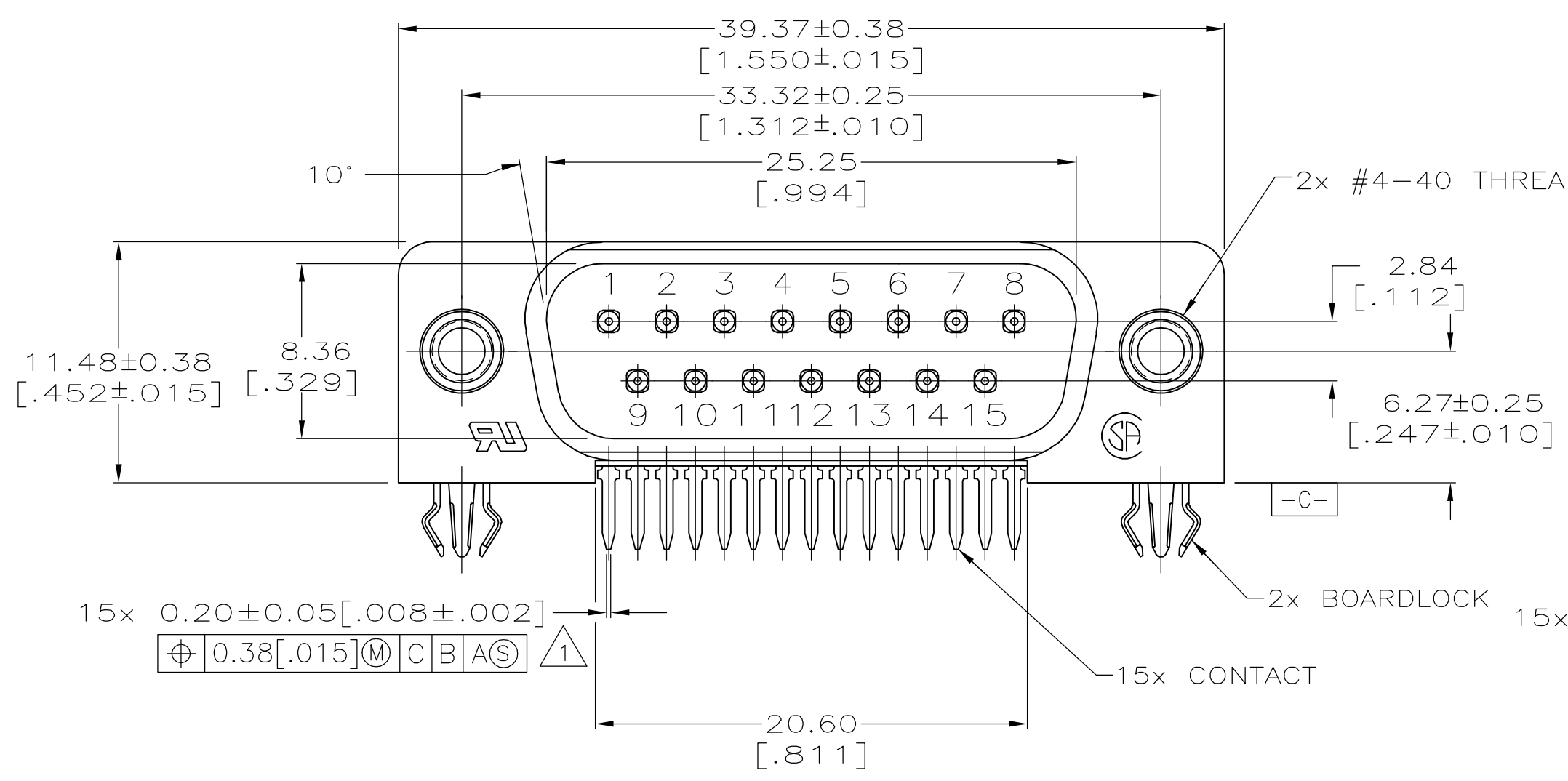


TYCO, PART NO & DATE CODE, MARKED IN AREA INDICATED

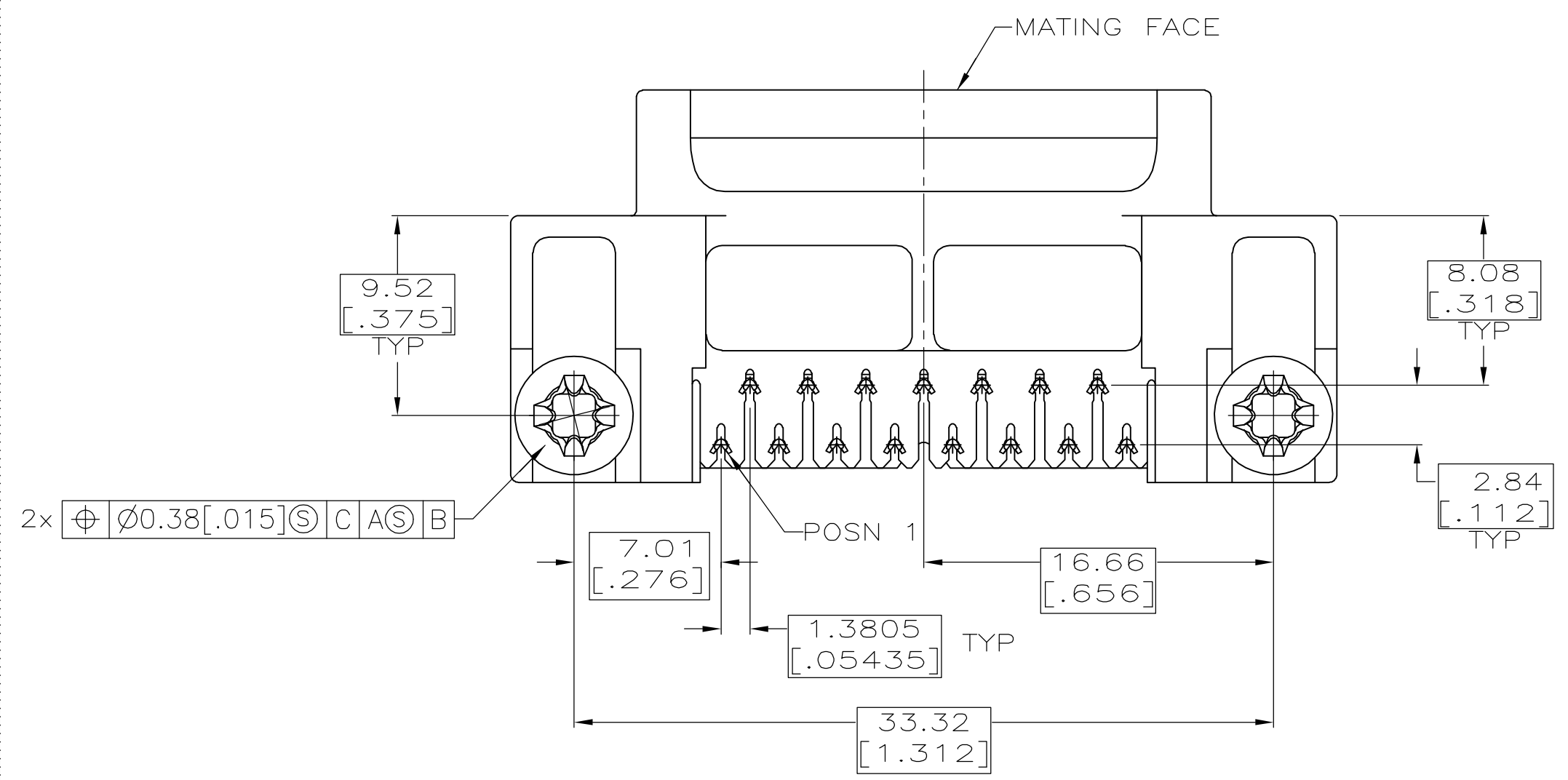
Q OF DATUM A



PC BOARD MOUNTING DIMENSIONS
 (.062 PC BOARD THICKNESS)



- △ POSITION TOLERANCE APPLIES AT TIP ONLY.
- △ HOUSING: FLAME RETARDANT 94V-0, GLASS FILLED, NYLON OR POLYESTER, COLOR BLACK.
- CONTACTS: BARSS
- EYELETS: BRASS
- INSERTS: ZINC
- BOARDLOCKS: COPPER ALLOY
- △ EYELETS: 2.54 μm [.000100] MIN TIN OVER COPPER FLASH.
- BOARDLOCKS: 3.81 μm [.00015] MIN TIN OVER 1.27 μm [.000050] MIN NICKEL.
- CONTACTS: GOLD PLATED FOR A LENGTH OF 3.81 [.150] MIN FROM MATING END, 0.76 μm [.000030] MIN GOLD IN MATED AREA, 2.54 μm [.0001] MIN TIN FOR A LENGTH OF 3.68 [.145] MIN FROM OPPOSITE END, BOTH OVER 1.27 μm [.000050] MIN NICKEL.
- INSERTS: CLEAR CHROMATE COATING.



5748904-1
 PART NO

**COPYRIGHT 2005
 TYCO ELECTRONICS CORP
 ALL RIGHTS RESERVED**

| | | | | | | |
|--|--|-------------------------------|---------|--------------|---|--|
| THIS DRAWING IS A CONTROLLED DOCUMENT. | | DWN G.PETERS 20SEP05 | 20SEP05 | | Tyco Electronics Corporation Harrisburg, PA 17105-3608 | |
| DIMENSIONS: mm [INCHES] | | CHK S.BOLASH 20SEP05 | 20SEP05 | | NAME | PLUG ASSEMBLY, SIZE 2, 15 POSN, ALL PLASTIC, RIGHT ANGLE, .318 SERIES, AMPLIMITE III |
| TOLERANCES UNLESS OTHERWISE SPECIFIED: | | APVD M.WALMSLEY 20SEP05 | 20SEP05 | PRODUCT SPEC | 108-1226 | |
| 0 PLC ± - | | APPLICATION SPEC | | 114-40027 | | |
| 1 PLC ± - | | WEIGHT | | - | | |
| 2 PLC ± 0.13 [.005] | | SIZE | | A1 | | |
| 3 PLC ± - | | CAGE CODE | | 00779 | | |
| 4 PLC ± - | | DRAWING NO | | 5748904 | | |
| ANGLES ± Z | | RESTRICTED TO | | - | | |
| MATERIAL | | CUSTOMER DRAWING | | SCALE | | |
| FINISH | | SCALE | | 4:1 | | |
| | | SHEET | | 1 OF 1 | | |
| | | REV | | O | | |