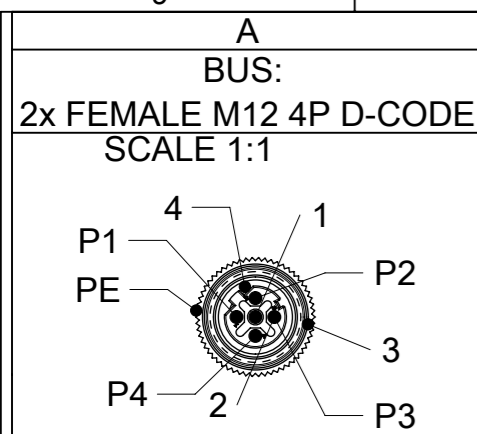
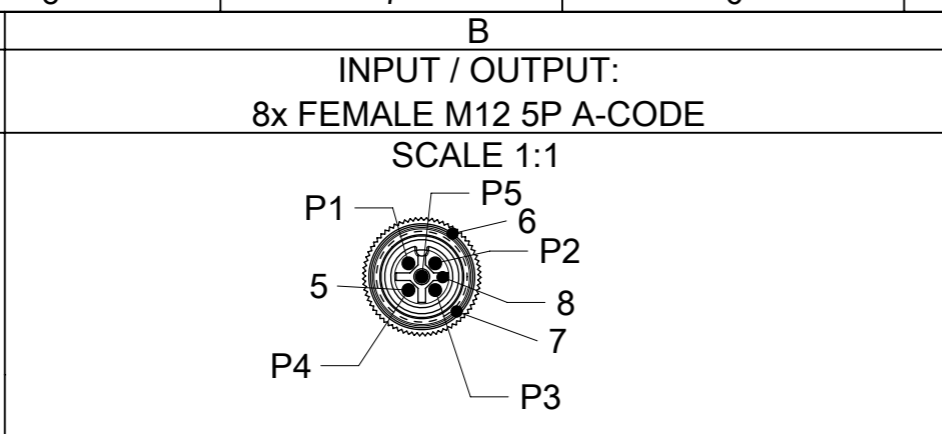


SCALE 1:2

SYMBOLS		THIS DRAWING CONTAINS INFORMATION THAT IS PROPRIETARY TO MOLEX ELECTRONIC TECHNOLOGIES, LLC AND SHOULD NOT BE USED WITHOUT WRITTEN PERMISSION		CURRENT REV DESC: ADD NEW P/N'S	
▽ = 0	mm	SCALE	1:1		
▽ = 0	GENERAL TOLERANCES (UNLESS SPECIFIED)				
▽ = 0	ANGULAR TOL ± °			DBO ETH 60 MM 7/8" 4P/5P AC MA FE U12 5P U12 4P 2PT DC FE	
▽ = 0	4 PLACES ±	EC NO: 171585		PRODUCT CUSTOMER DRAWING	
▽ = 0	3 PLACES ±	DRWN: RSCHIEBER 2018/01/22		DOCUMENT NUMBER	
▽ = 0	2 PLACES ±	CHK'D: ULETENMEIER 2018/02/01		1120950007	
▽ = 0	1 PLACE ±	APPR: RSILLER 2018/02/05		DOC TYPE DOC PART REVISION	
▽ = 0	0 PLACES ±	INITIAL REVISION:		PSD 000 B	
▽ = 0	DRAFT WHERE APPLICABLE MUST REMAIN WITHIN DIMENSIONS	DRWN: ULETENMEIER 2015/01/19		MATERIAL NUMBER	
▽ = 0		APPR: JALEXANDER 2015/06/25		CUSTOMER	
		THIRD ANGLE PROJECTION		GENERAL MARKET	
		DRAWING		SHEET NUMBER	
		A3-SIZE		1 OF 8	
		SERIES		DATE	
		112095		2018/02/05	
		SEE TABLE 1,2,3,4,5,6			



WIRING INFORMATION
P1 TX+
P2 RX+
P3 TX-
P4 RX-

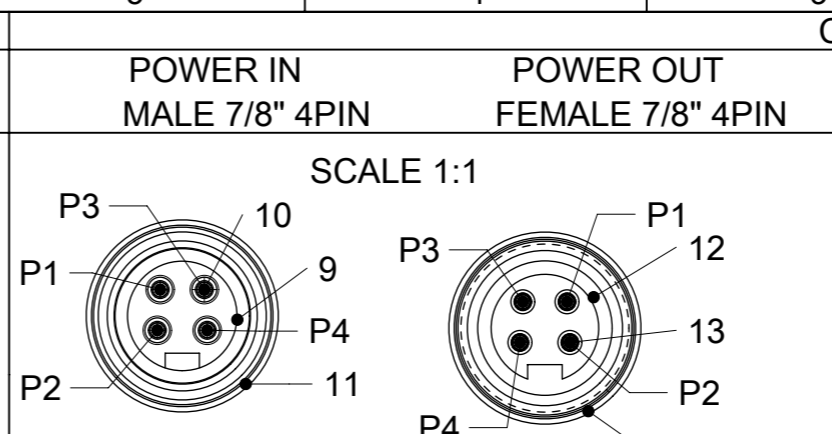


WIRING INFORMATION INPUT

P1 - +24 VDC
P2 - Input (even)
P3 - 0 V (Ground)
P4 - Input (odd)
P5 - PE (Protected Earth)

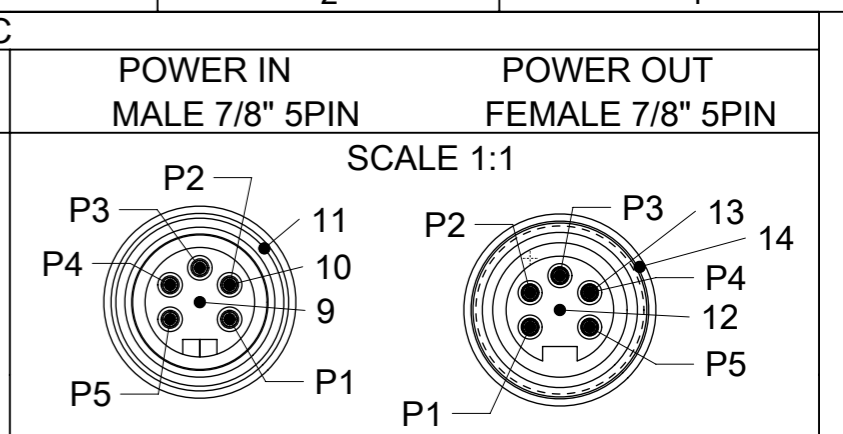
WIRING INFORMATION OUTPUT

P1 - N/C
P2 - Output (even)
P3 - 0 V (Ground)
P4 - Output (odd)
P5 - PE (Protected Earth)



WIRING INFORMATION

P1 - +24 VDC (Outputs Power)
P2 - +24 VDC (Module & Inputs Power)
P3 - 0 V (Module & Inputs Power)
P4 - 0 V (Outputs Power)

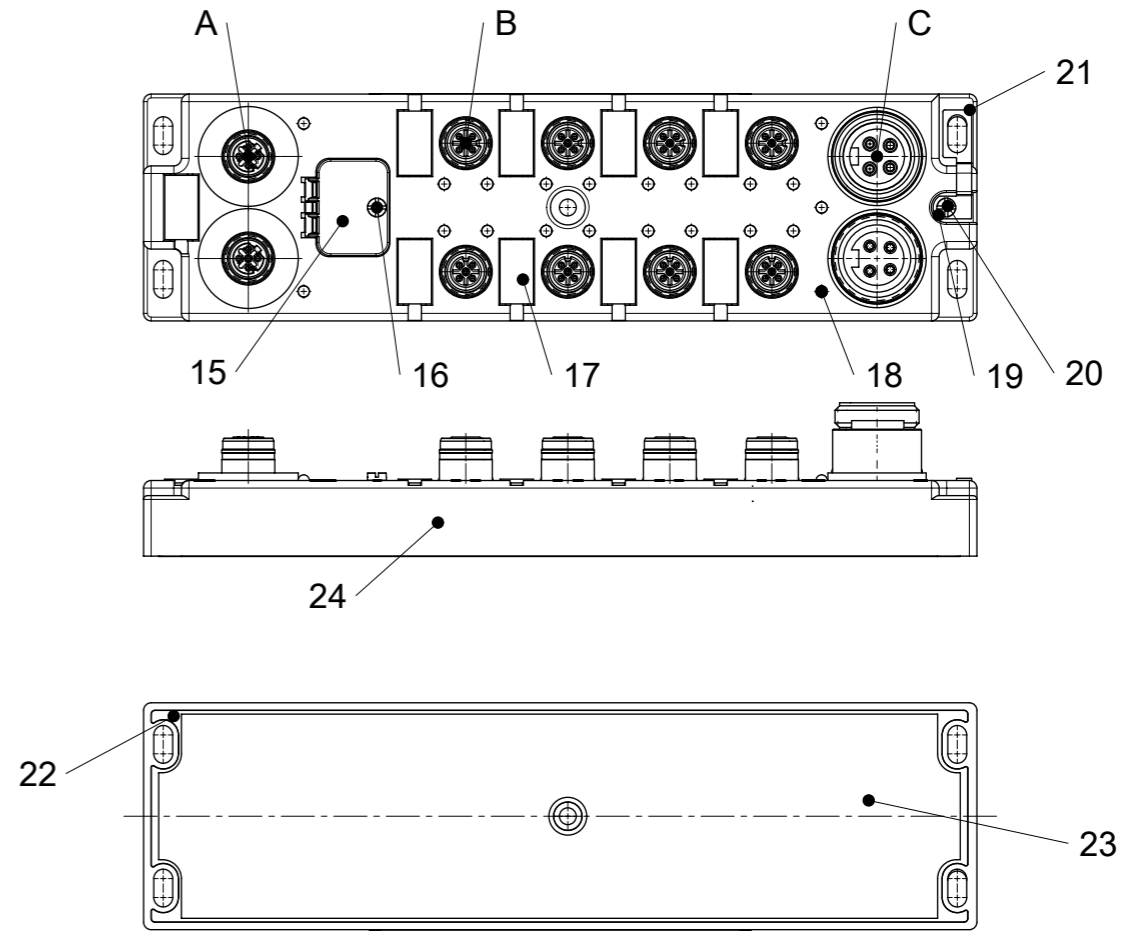
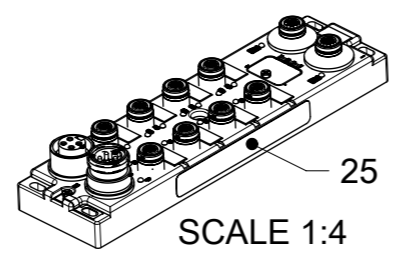


WIRING INFORMATION

P1 - 0 V (Outputs Power)
P2 - 0 V (Module & Inputs Power)
P3 - PE (Protected Earth)
P4 - +24 VDC (Module and Inputs Power)
P5 - +24 VDC (Outputs Power)

BILL OF MATERIAL

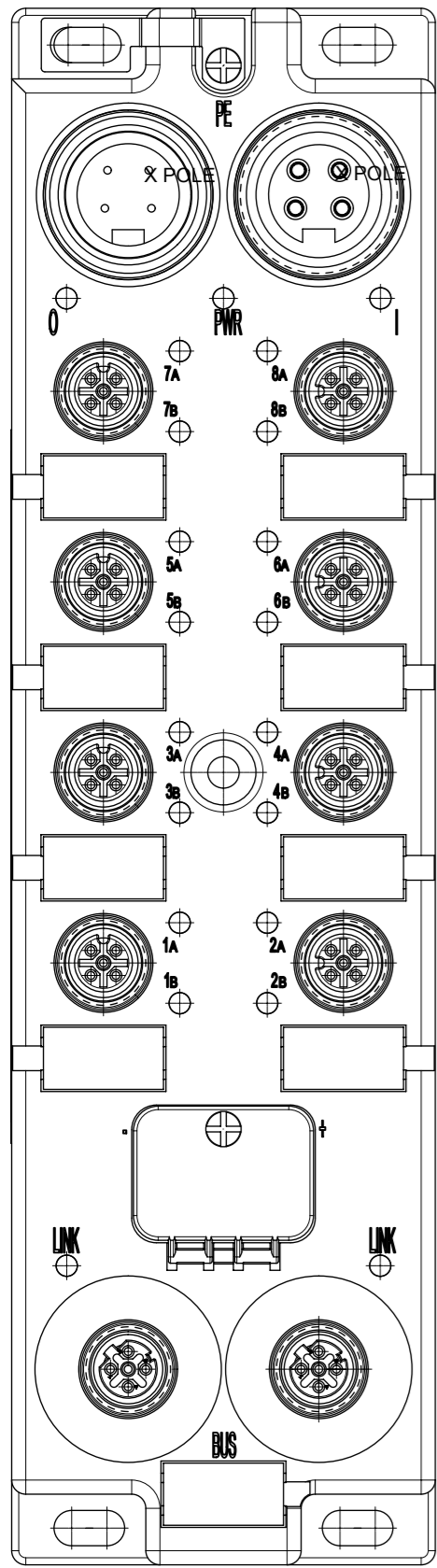
ITEM	DESCRIPTION	MATERIAL	FINISH
1	INSERT	TPU	BLACK
2	CONTACT	COPPER ALLOY	GOLD OVERNICKEL
3	SHELL	BRASS	NICKEL PLATET
4	GASKET	FPM	RED
5	CONTACT	COPPER ALLOY	GOLD OVER NICKEL
6	GASKET	FPM	RED
7	SHELL	BRASS	NICKEL PLATET
8	INSERT	TPU	BLACK
9	INSERT	TPE	YELLOW
10	CONTACT	COPPER ALLOY	GOLD OVERNICKEL
11	SHELL	BRASS	NICKEL PLATET
12	INSERT	TPE	YELLOW
13	CONTACT	COPPER ALLOY	GOLD OVER NICKEL
14	SHELL	BRASS	NICKEL PLATET
15	WINDOW	PC	TRANSPARENT
16	SCREW	V2A	-
17	LABEL	PC	WHITE
18	FIBER OPTIC	PA	TRANSPARENT
19	WASHER	BRASS	NICKEL PLATET
20	SCREW	V2A	-
21	SHIELD PLATE	STAINLESS STEEL	-
22	RESIN	EPOXY	TRANSPARENT
23	LABEL	PVC	WHITE
24	HOUSING	PBT	BLACK
25	LABEL	PVC	YELLOW



SYMBOLS	THIS DRAWING CONTAINS INFORMATION THAT IS PROPRIETARY TO MOLEX ELECTRONIC TECHNOLOGIES, LLC AND SHOULD NOT BE USED WITHOUT WRITTEN PERMISSION	CURRENT REV DESC: ADD NEW P/N'S				
	DIMENSION UNITS: mm SCALE: 1:2 GENERAL TOLERANCES (UNLESS SPECIFIED): ANGULAR TOL: ± ° 4 PLACES: ± 3 PLACES: ± 2 PLACES: ± 1 PLACE: ± 0.3 0 PLACES: ± 0.5 DRAFT WHERE APPLICABLE MUST REMAIN WITHIN DIMENSIONS	EC NO: 171585 DRWN: RSCHIEBER 2018/01/22 CHK'D: ULETTENMEIER 2018/02/01 APPR: RSILLER 2018/02/05				
INITIAL REVISION: DRWN: ULETTENMEIER 2015/01/19 APPR: JALEXANDER 2015/06/25				PRODUCT CUSTOMER DRAWING		
DOCUMENT NUMBER: 1120950007				DOC TYPE: PSD	DOC PART: 000	REVISION: B
MATERIAL NUMBER: SEE TABLE 1,2,3,4,5,6		CUSTOMER: GENERAL MARKET		SHEET NUMBER: 2 OF 8		

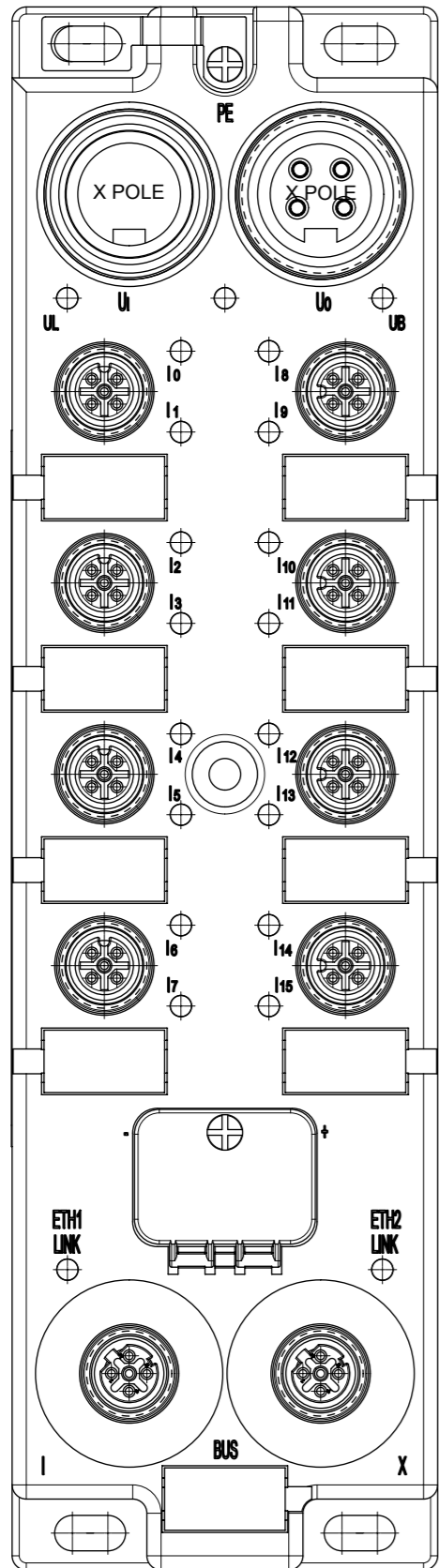
TABLE 1 UNIVERSAL PRINTING

POWER TYPE	INPUT / OUTPUT	MODBUS TCP		EtherNet/IP		PROFINET		3D MODEL NO.	
		ENG.NO.	MOLEX P/N	ENG.NO.	MOLEX P/N	ENG.NO.	MOLEX P/N		
7/8" 5 POLE	NPN	16I	TCDEM-8D0N-D1U	1120950007	TCDEI-8D0N-D1U	1120955003	TCDEP-8D0N-D1U	1120955029	1120950007 (PDM)
		14I / 2O	TCDEM-8C2N-D1U	1120950005	TCDEI-8C2N-D1U	1120955004	TCDEP-8C2N-D1U	1120955030	
		12I / 4O	TCDEM-8B4N-D1U	1120950003	TCDEI-8B4N-D1U	1120955005	TCDEP-8B4N-D1U	1120955031	
		8I / 8O	TCDEM-888N-D1U	1120950001	TCDEI-888N-D1U	1120955006	TCDEP-888N-D1U	1120955032	
	16 USER CONFIG.	TCDEM-8YYX-D1U	1120950009	TCDEI-8YYX-D1U	1120955011	TCDEP-8YYX-D1U	1120955037		
	USER CONFIG.			TCDEI-8YYX-DYU-02	1120955117				
	PNP	16I	TCDEM-8D0P-D1U	1120950008	TCDEI-8D0P-D1U	1120955007	TCDEP-8D0P-D1U	1120955033	
		14I / 2O	TCDEM-8C2P-D1U	1120950006	TCDEI-8C2P-D1U	1120955008	TCDEP-8C2P-D1U	1120955034	
		12I / 4O	TCDEM-8B4P-D1U	1120950004	TCDEI-8B4P-D1U	1120955009	TCDEP-8B4P-D1U	1120955035	
		8I / 8O	TCDEM-888P-D1U	1120950002	TCDEI-888P-D1U	1120955010	TCDEP-888P-D1U	1120955036	
7/8" 4 POLE	NPN	16I	TCDEM-8D0N-DYU	1120955021	TCDEI-8D0N-DYU	1120955012			1120950007 (PDM)
		14I / 2O	TCDEM-8C2N-DYU	1120955022	TCDEI-8C2N-DYU	1120955013			
		12I / 4O	TCDEM-8B4N-DYU	1120955023	TCDEI-8B4N-DYU	1120955014			
		8I / 8O	TCDEM-888N-DYU	1120955024	TCDEI-888N-DYU	1120955015			
	16 USER CONFIG.	TCDEM-8YYX-DYU	1120955038	TCDEI-8YYX-DYU	1120955020				
	USER CONFIG.			TCDEI-8YYX-DYU-02	1120955116				
	PNP	16I	TCDEM-8D0P-DYU	1120955025	TCDEI-8D0P-DYU	1120955016			
		14I / 2O	TCDEM-8C2P-DYU	1120955026	TCDEI-8C2P-DYU	1120955017			
		12I / 4O	TCDEM-8B4P-DYU	1120955027	TCDEI-8B4P-DYU	1120955018			
		8I / 8O	TCDEM-888P-DYU	1120955028	TCDEI-888P-DYU	1120955019			



UNIVERSAL PRINTING

SYMBOLS	THIS DRAWING CONTAINS INFORMATION THAT IS PROPRIETARY TO MOLEX ELECTRONIC TECHNOLOGIES, LLC AND SHOULD NOT BE USED WITHOUT WRITTEN PERMISSION		CURRENT REV DESC: ADD NEW P/N'S		
	DIMENSION UNITS	SCALE			
▽ = 0	mm	1:1			PRODUCT CUSTOMER DRAWING DOCUMENT NUMBER: 1120950007 DOC TYPE: PSD DOC PART: 000 REVISION: B
▽ = 0	GENERAL TOLERANCES (UNLESS SPECIFIED)				
▽ = 0	ANGULAR TOL ± °				
▽ = 0	4 PLACES ±		EC NO: 171585 DRWN: RSCHIEBER 2018/01/22 CHK'D: ULETENMEIER 2018/02/01 APPR: RSILLER 2018/02/05		
▽ = 0	3 PLACES ±		INITIAL REVISION: DRWN: ULETENMEIER 2015/01/19 APPR: JALEXANDER 2015/06/25		
▽ = 0	2 PLACES ±				
▽ = 0	1 PLACE ± 0.3				
▽ = 0	0 PLACES ± 0.5				
■ = 0	DRAFT WHERE APPLICABLE MUST REMAIN WITHIN DIMENSIONS		THIRD ANGLE PROJECTION	DRAWING	SERIES
▽ = 0				A3-SIZE	112095
			MATERIAL NUMBER	CUSTOMER	SHEET NUMBER
			SEE TABLE 1,2,3,4,5,6	GENERAL MARKET	3 OF 8



16 IN PRINTING

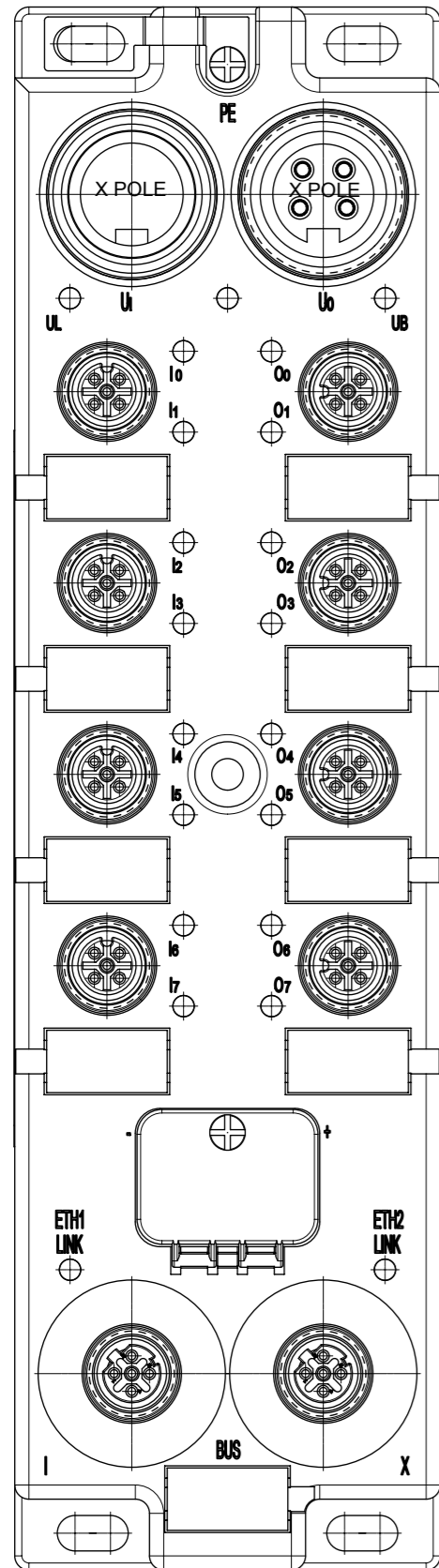
TABLE 2 16 IN PRINTING

POWER TYPE	INPUT/OUTPUT	EtherNet/IP		PROFINET		3D MODEL NO.	
		ENG. NO	MOLEX P/N	ENG. NO	MOLEX P/N		
7/8" 5 POLE	PNP	16I	TCDEI-8D0P-D1U-G	1120955060	TCDEP-8D0P-D1U-G	1120955048	1120950007 (PDM)
		16I	TCDEI-8D0P-D1U-G02	1120955041			
7/8" 4 POLE	PNP	16I	TCDEI-8D0P-DYU-G	1120955040	TCDEP-8D0P-DYU-G	1120955052	1120950007 (PDM)
		16I	TCDEI-8D0P-DYU-G01	1120955002			
		16I	TCDEI-8D0P-DYU-G02	1120955137			

SYMBOLS	THIS DRAWING CONTAINS INFORMATION THAT IS PROPRIETARY TO MOLEX ELECTRONIC TECHNOLOGIES, LLC AND SHOULD NOT BE USED WITHOUT WRITTEN PERMISSION		CURRENT REV DESC: ADD NEW P/N'S		molex
	DIMENSION UNITS	SCALE			
▽ = 0	mm	1:1			PRODUCT CUSTOMER DRAWING
▽ = 0	GENERAL TOLERANCES (UNLESS SPECIFIED)				
▽ = 0	ANGULAR TOL ± °				DOCUMENT NUMBER
▽ = 0	4 PLACES ±		EC NO: 171585		
▽ = 0	3 PLACES ±		DRWN: RSCHIEBER 2018/01/22		1120950007
▽ = 0	2 PLACES ±		CHK'D: ULETENMEIER 2018/02/01		
▽ = 0	1 PLACE ± 0.3		APPR: RSILLER 2018/02/05		DOC TYPE
▽ = 0	0 PLACES ± 0.5		INITIAL REVISION:		
⊠ = 0	DRAFT WHERE APPLICABLE MUST REMAIN WITHIN DIMENSIONS		DRWN: ULETENMEIER 2015/01/19		REVISION
▽ = 0			APPR: JALEXANDER 2015/06/25		
		THIRD ANGLE PROJECTION	DRAWING	SERIES	000
			A3-SIZE	112095	
				MATERIAL NUMBER	4 OF 8
				CUSTOMER	
				SEE TABLE 1,2,3,4,5,6	GENERAL MARKET

TABLE 3 8I/8O PRINTING

POWER TYPE	INPUT/OUTPUT	EtherNet/IP		PROFINET		3D MODEL NO.	
		ENG. NO	MOLEX P/N	ENG. NO	MOLEX P/N		
7/8" 5 POLE	PNP	8I/8O	TCDEI-888P-D1U-G	1120955061	TCDEP-888P-D1U-G	1120955050	1120950007 (PDM)
		8I/8O	TCDEI-888P-D1U-G02	1120955142			
		8IN/4M	TCDEI-88MP-D1U-G	1120955118			
7/8" 4 POLE	PNP	8I/8O	TCDEI-888P-DYU-G	1120955041	TCDEP-888P-DYU-G	1120955053	1120950007 (PDM)
			TCDEI-888P-DYU-G01	1120955072			
			TCDEI-888P-DYU-G02	1120955138			

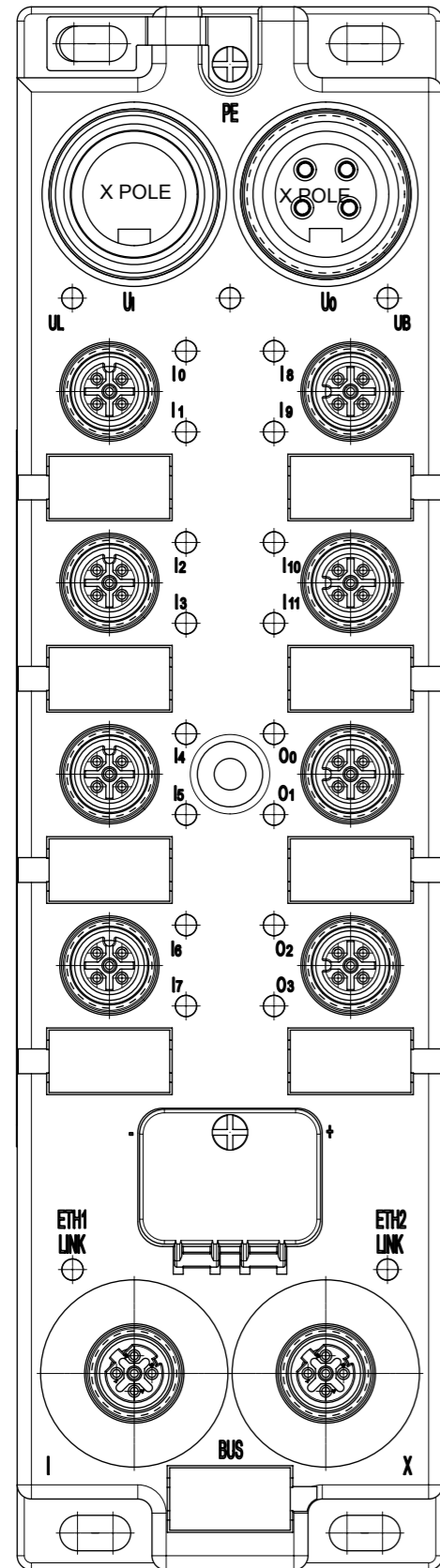


8I/8O IN PRINTING

SYMBOLS	THIS DRAWING CONTAINS INFORMATION THAT IS PROPRIETARY TO MOLEX ELECTRONIC TECHNOLOGIES, LLC AND SHOULD NOT BE USED WITHOUT WRITTEN PERMISSION		CURRENT REV DESC: ADD NEW P/N'S		
	DIMENSION UNITS	SCALE			
▽ = 0	mm	1:1			DBO ETH 60 MM 7/8" 4P/5P AC MA FE U12 5P U12 4P 2PT DC FE
▽ = 0	GENERAL TOLERANCES (UNLESS SPECIFIED)				
▽ = 0	ANGULAR TOL ± °				PRODUCT CUSTOMER DRAWING
▽ = 0	4 PLACES	±			
▽ = 0	3 PLACES	±			DOCUMENT NUMBER 1120950007
▽ = 0	2 PLACES	±			
▽ = 0	1 PLACE	± 0.3			DOC TYPE PSD
▽ = 0	0 PLACES	± 0.5			
□ = 0	DRAFT WHERE APPLICABLE MUST REMAIN WITHIN DIMENSIONS		THIRD ANGLE PROJECTION	DRAWING	SERIES
▽ = 0				A3-SIZE	112095
			MATERIAL NUMBER	CUSTOMER	SHEET NUMBER
			SEE TABLE 1,2,3,4,5,6	GENERAL MARKET	5 OF 8

TABLE 4 12I/4O PRINTING

POWER TYPE	INPUT/OUTPUT	EtherNet/IP		PROFINET		3D MODEL NO.	
		ENG. NO	MOLEX P/N	ENG. NO	MOLEX P/N		
7/8" 5 POLE	PNP	12I/4O	TCDEI-8B4P-D1U-G	1120955063	TCDEP-8B4P-D1U-G	1120955051	1120950007 (PDM)
		12I/4O	TCDEI-8B4P-D1U-G02	1120955143			
7/8" 4 POLE	PNP	12I/4O	TCDEI-8B4P-DYU-G	1120955043	TCDEP-8B4P-DYU-G	1120955054	1120950007 (PDM)
		12I/4O	TCDEI-8B4P-DYU-G01	1120955073			
		12I/4O	TCDEI-8B4P-DYU-G02	1120955139			

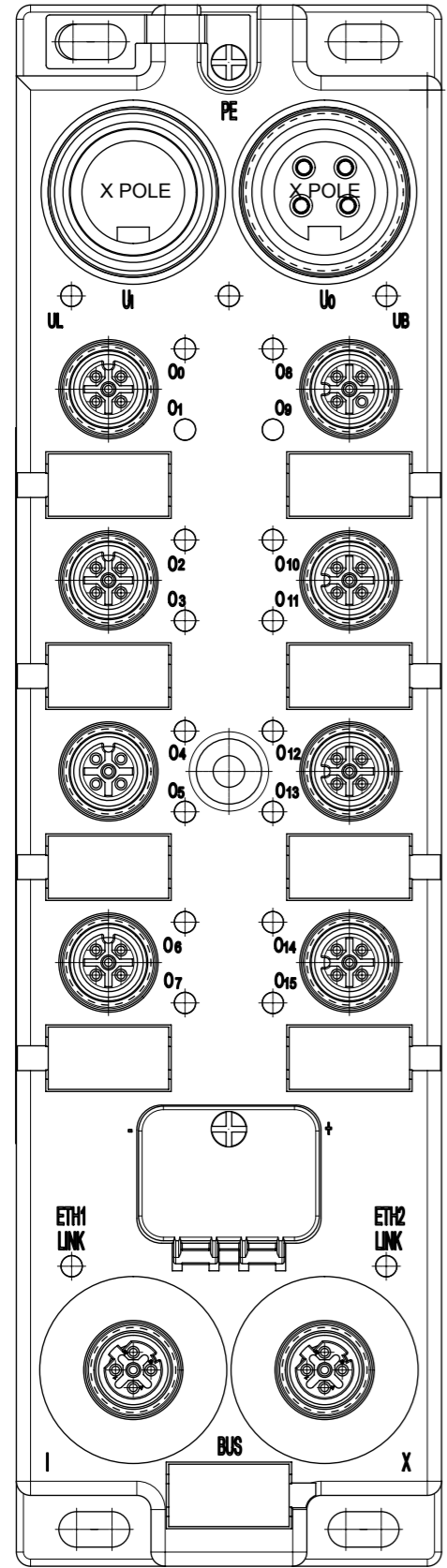


12I/4O PRINTING

SYMBOLS	THIS DRAWING CONTAINS INFORMATION THAT IS PROPRIETARY TO MOLEX ELECTRONIC TECHNOLOGIES, LLC AND SHOULD NOT BE USED WITHOUT WRITTEN PERMISSION		CURRENT REV DESC: ADD NEW P/N'S		molex		
	DIMENSION UNITS	SCALE					
▽ = 0	mm	1:1	EC NO: 171585		PRODUCT CUSTOMER DRAWING		
▽ = 0	GENERAL TOLERANCES (UNLESS SPECIFIED)		DRWN: RSCHIEBER 2018/01/22		DOCUMENT NUMBER		
▽ = 0	ANGULAR TOL ± °		CHK'D: ULETTENMEIER 2018/02/01		1120950007		
▽ = 0	4 PLACES ±		APPR: RSILLER 2018/02/05		DOC TYPE DOC PART REVISION		
▽ = 0	3 PLACES ±		INITIAL REVISION:		PSD 000 B		
▽ = 0	2 PLACES ±		DRWN: ULETTENMEIER 2015/01/19		MATERIAL NUMBER		
▽ = 0	1 PLACE ± 0.3		APPR: JALEXANDER 2015/06/25		CUSTOMER		
▽ = 0	0 PLACES ± 0.5		THIRD ANGLE PROJECTION		SEE TABLE 1,2,3,4,5,6		
□ = 0	DRAFT WHERE APPLICABLE MUST REMAIN WITHIN DIMENSIONS		DRAWING		SHEET NUMBER		
▽ = 0			A3-SIZE		GENERAL MARKET 6 OF 8		

TABLE 5 160 PRINTING

POWER TYPE	INPUT/OUTPUT	EtherNet/IP		PROFINET		3D MODEL NO.	
		ENG. NO	MOLEX P/N	ENG. NO	MOLEX P/N		
7/8" 5 POLE		160	TCDEI-80DP-D1U-G	1120955062	TCDEP-80DP-D1U-G	1120955049	1120950007 (PDM)
		160	TCDEI-80DP-D1U-G02	1120955144			
7/8" 4 POLE	PNP	160	TCDEI-80DP-DYU-G	1120955042	TCDEP-80DP-DYU-G	1120955055	1120950007 (PDM)
		160	TCDEI-80D8-DYU-G01	1120955074			
		160	TCDEI-80DP-DYU-G02	1120955140			

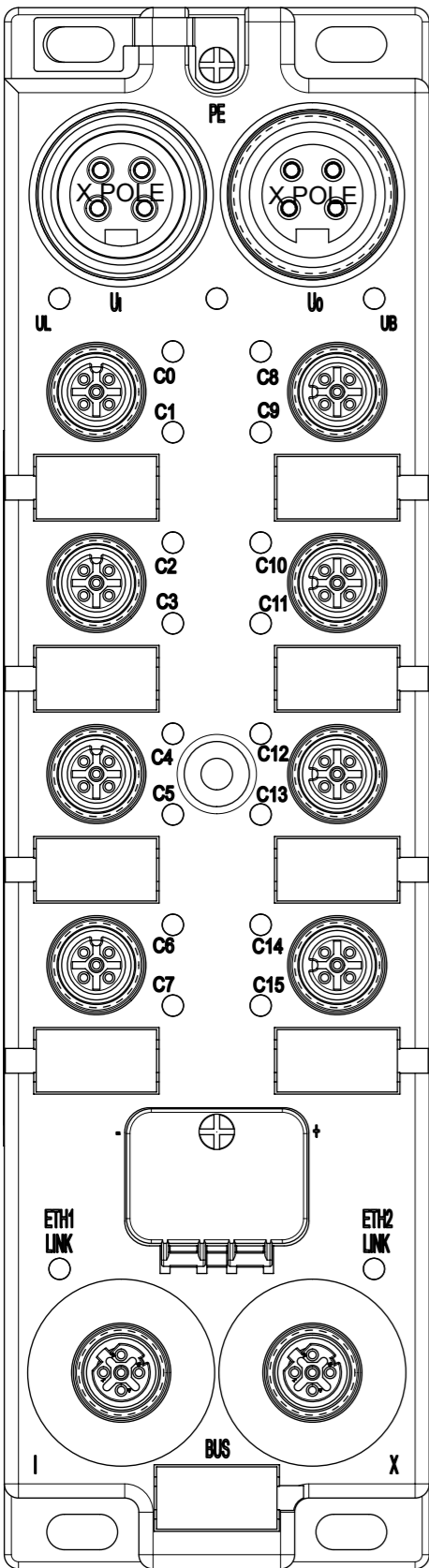


160 PRINTING

SYMBOLS	THIS DRAWING CONTAINS INFORMATION THAT IS PROPRIETARY TO MOLEX ELECTRONIC TECHNOLOGIES, LLC AND SHOULD NOT BE USED WITHOUT WRITTEN PERMISSION		CURRENT REV DESC: ADD NEW P/N'S		molex		
	DIMENSION UNITS	SCALE					
▽ = 0	mm	1:1			DBO ETH 60 MM 7/8" 4P/5P AC MA FE U12 5P U12 4P 2PT DC FE		
▽ = 0	GENERAL TOLERANCES (UNLESS SPECIFIED)				PRODUCT CUSTOMER DRAWING		
▽ = 0	ANGULAR TOL ± °				DOCUMENT NUMBER		
▽ = 0	4 PLACES ±		EC NO: 171585		1120950007		
▽ = 0	3 PLACES ±		DRWN: RSCHIEBER 2018/01/22		DOC TYPE		
▽ = 0	2 PLACES ±		CHK'D: ULETENMEIER 2018/02/01		DOC PART		
▽ = 0	1 PLACE ±		APPR: RSILLER 2018/02/05		REVISION		
▽ = 0	0 PLACES ±		INITIAL REVISION:		PSD		
▽ = 0	1 PLACE ± 0.3		DRWN: ULETENMEIER 2015/01/19		000		
▽ = 0	0 PLACES ± 0.5		APPR: JALEXANDER 2015/06/25		B		
▽ = 0	DRAFT WHERE APPLICABLE MUST REMAIN WITHIN DIMENSIONS		THIRD ANGLE PROJECTION		MATERIAL NUMBER		SHEET NUMBER
▽ = 0			DRAWING		CUSTOMER		
			A3-SIZE		GENERAL MARKET		7 OF 8

TABLE 6 16 USER CONFIG PRINTING

POWER TYPE	INPUT/OUTPUT		EtherNet/IP		PROFINET		3D MODEL NO.
			ENG. NO	MOLEX P/N	ENG. NO	MOLEX P/N	
7/8" 5 POLE	PNP	USER CONFIG	TCDEI-8YYX-D1U-G02	1120955117	TCDEP-8YYX-D1U-01	1120955115	1120950007 (PDM)
7/8" 4 POLE			TCDEI-8YYX-DYU-G02	1120955116	TCDEP-8YYX-DYU-01	1120955114	



SYMBOLS DIMENSION UNITS: mm SCALE: 1:1 GENERAL TOLERANCES (UNLESS SPECIFIED) ANGULAR TOL: ± ° 4 PLACES: ± 3 PLACES: ± 2 PLACES: ± 1 PLACE: ± 0.3 0 PLACES: ± 0.5 DRAFT WHERE APPLICABLE MUST REMAIN WITHIN DIMENSIONS THIRD ANGLE PROJECTION DRAWING: A3-SIZE SERIES: 112095	THIS DRAWING CONTAINS INFORMATION THAT IS PROPRIETARY TO MOLEX ELECTRONIC TECHNOLOGIES, LLC AND SHOULD NOT BE USED WITHOUT WRITTEN PERMISSION CURRENT REV DESC: ADD NEW P/N'S			
	EC NO: 171585 DRWN: RSCHIEBER 2018/01/22 CHK'D: ULETTENMEIER 2018/02/01 APPR: RSILLER 2018/02/05			
	INITIAL REVISION: DRWN: ULETTENMEIER 2015/01/19 APPR: JALEXANDER 2015/06/25		PRODUCT CUSTOMER DRAWING DOCUMENT NUMBER: 1120950007 DOC TYPE: PSD DOC PART: 000 REVISION: B	
	MATERIAL NUMBER: SEE TABLE 1,2,3,4,5,6 CUSTOMER: GENERAL MARKET SHEET NUMBER: 8 OF 8			