



### specifications

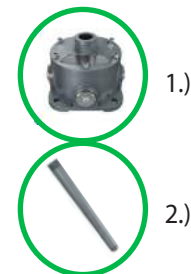
| CRI | Voltage   | Ambient Temp (F) | Color Temp | Material                     | IP Rating | Gross Weight | Beam Angle | Dimensions          | Warranty | Case QTY |
|-----|-----------|------------------|------------|------------------------------|-----------|--------------|------------|---------------------|----------|----------|
| 80  | 100-277 V | -40° - 131°      | 5000K      | copper free aluminum housing | IP 66     | 42.99 lbs    | 120°       | 15.7" x 11.2 x 7.6" | 6 years  | 1 pcs    |

### select your fixture

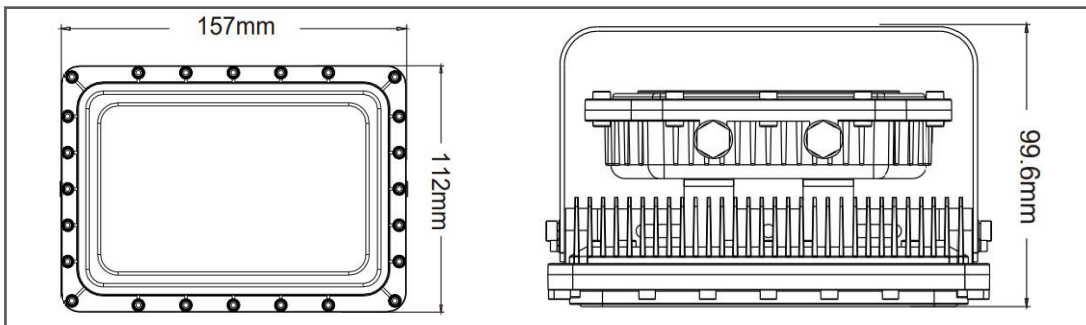
| Part Number    | Color Temp | Consumption | Lumen Output | Efficacy   |
|----------------|------------|-------------|--------------|------------|
| GI-EPD-C400-G4 | 5000K      | 100W        | 14,000       | 140 LM / W |

### add your accessories\*

| Accessories Part Number | Description         |
|-------------------------|---------------------|
| 1.) GI-ACC-EPJB         | Junction Box        |
| 2.) GI-ACC-EPSSP        | Straight Swing Pipe |



optional\*



### Features

- Rated for high temperatures, humidity, dust and vapor locations
- Built for a variety of purposes such as spot light, tunnel light, and general illumination in hazardous locations
- Light weight design
- Heavy duty and high impact resistance
- Various installation options for particular applications
- Non-dimmable

### Distribution Diagram

|      | Center Beam fc | Beam Width |      |
|------|----------------|------------|------|
| 4ft  | 683fc          | 11ft       | 11ft |
| 8ft  | 170fc          | 21ft       | 22ft |
| 12ft | 73fc           | 32ft       | 33ft |
| 16ft | 39fc           | 43ft       | 45ft |
| 20ft | 26fc           | 53ft       | 56ft |

■ Vert, Spread; 120°  
■ Horiz, Spread; 120°



Not all product variations listed on this page may be DLC qualified. Visit [www.designlights.org/search](http://www.designlights.org/search) to confirm qualification.

