

6

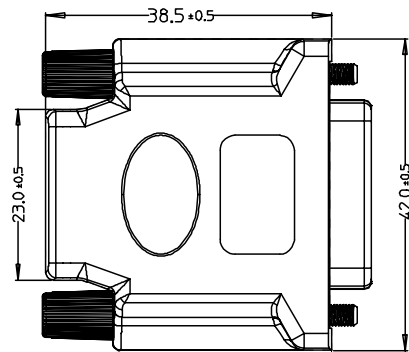
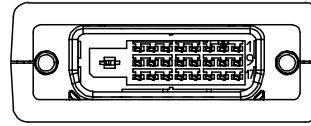
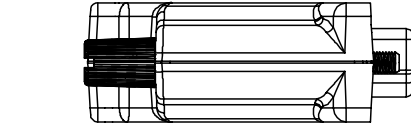
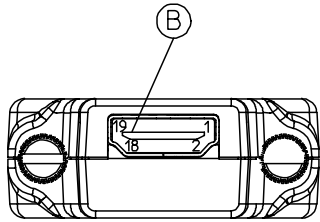
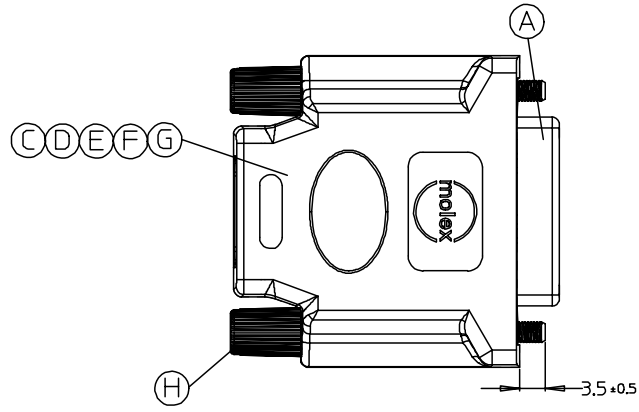
5

4

3

2

1



Notes:

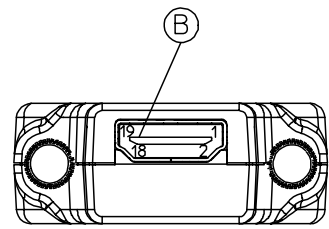
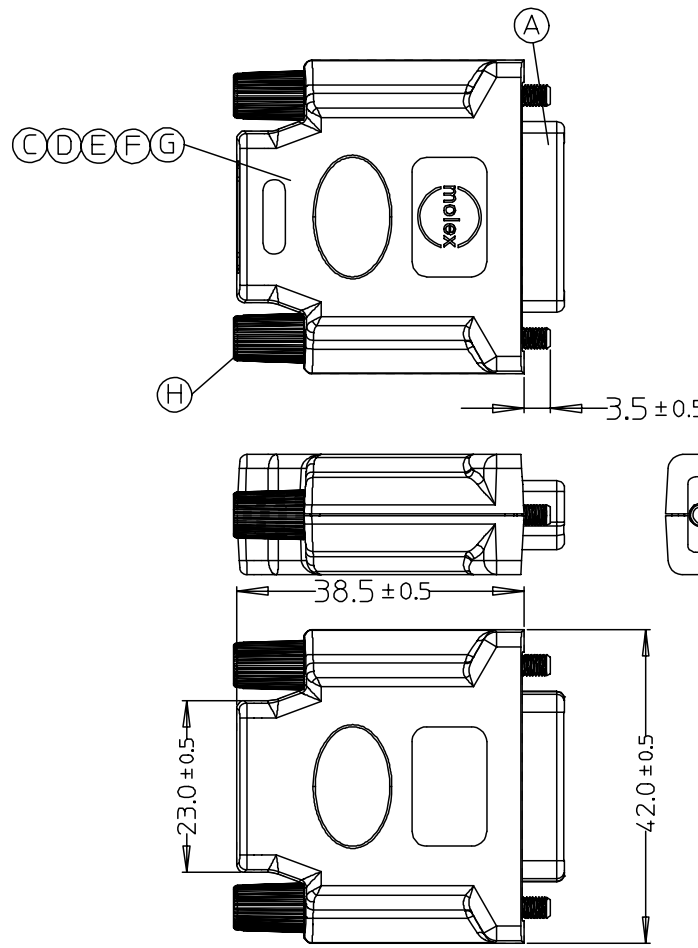
1. DIELECTRIC STRENGTH: 300V AC
2. INSULATION RESISTANCE : 100M OHMS Min.
3. CONTACT RESISTANCE: 2 OHMS Max.
4. PCB IMPEDANCE: 100±15 OHMS
5. ABS COVER MOLDED WITH 887800141 WHITE RESIN.

HDMI	DVI-D	Function
1	2	TMDS DATA2+
2	3	TMDS DATA2 SHIELD
3	1	TMDS DATA2-
4	10	TMDS DATA1+
5	11	TMDS DATA1 SHIELD
6	9	TMDS DATA1-
7	18	TMDS DATA0+
8	19	TMDS DATA0 SHIELD
9	17	TMDS DATA0-
10	23	TMDS CLOCK+
11	22	TMDS CLOCK SHIELD
12	24	TMDS CLOCK-
13	N.A	N.A
14	N.A	N.A
15	6	DDC CLOCK(SCL)
16	7	DDC DATA(SDA)
17	15	GROUND(+5V&DDC)
18	14	POWER +5V
19	16	HOT PLUG DETECT
SHIELD	SHIELD	GROUND(+5V&DDC)

ITEM	DESCRIPTION	USAGE
H	4-40 UNC SCREW	2
G	PCB	1
F	BOTTOM METAL CAN	1
E	TOP METAL CAN	1
D	ABS BOTTOM COVER	1
C	ABS TOP COVER	1
B	HDMI_F&PCB ASSY'	1
A	DVI-D CONN.	1

EC NO.	DRWN: ANDY 04/06/14	CHK:	APPR:	DESCRIPTION	REV	QUALITY SYMBOLS		GENERAL TOLERANCES: (UNLESS SPECIFIED)		SCALE	DESIGN UNITS	THIRD ANGLE PROJECTION	SHT		REV	
						MAJOR	CRITICAL	mm	INCH	N.S.T	mm		INCH	mm ONLY	mm ONLY	mm ONLY
A						MAJOR	CRITICAL	mm	INCH		mm	INCH				
						MAJOR	CRITICAL	mm	INCH	4 PLACES	0.					
						MAJOR	CRITICAL	mm	INCH	3 PLACES	0.					
						MAJOR	CRITICAL	mm	INCH	2 PLACES	0.					
						MAJOR	CRITICAL	mm	INCH	1 PLACE	0.5					
								ANGULAR:	°							
										DRAWN BY & DATE	TITLE:					
										ANDY 04/04/01	HDMI(F) TO DVI-D(M) ADAPTER					
										CHECKED BY & DATE	MOLEX INCORPORATED					
										Teddy 04/04/01	MOLEX INCORPORATED					
										APPROVED BY & DATE	CAD FILENAME	MATERIAL NO.	DRAWING NO.	SHEET NO.		
										Boran 04/04/01	J6706-00.mi	88767-0600	SD-88767-001	1 OF 1		
										THIS DRAWING CONTAINS INFORMATION THAT IS PROPRIETARY TO MOLEX INCORPORATED AND SHOULD NOT BE USED WITHOUT WRITTEN PERMISSION.					SIZE	
															A4	

- Notes:
1. DIELECTRIC STRENGTH: 300V AC
 2. INSULATION RESISTANCE : 100M OHMS Min.
 3. CONTACT RESISTANCE: 2 OHMS Max.
 4. PCB IMPEDANCE: 100±15 OHMS
 5. THIS PRODUCT MUST MEET ROHS COMPLIANCE



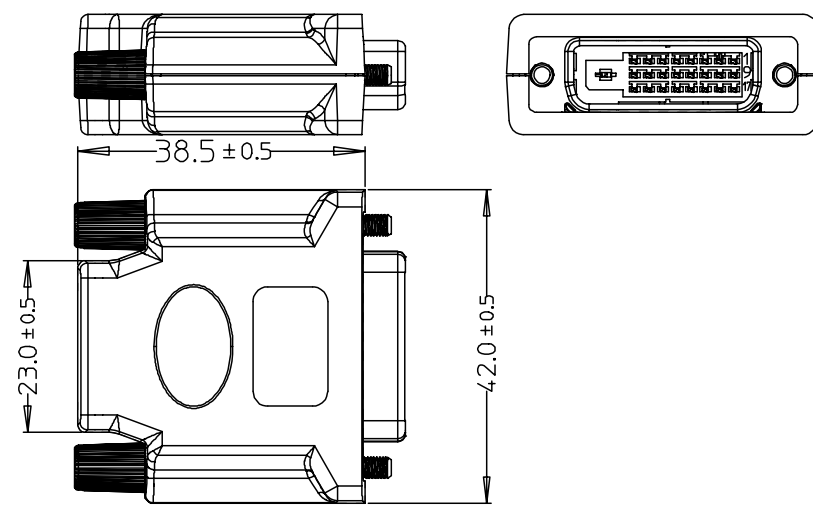
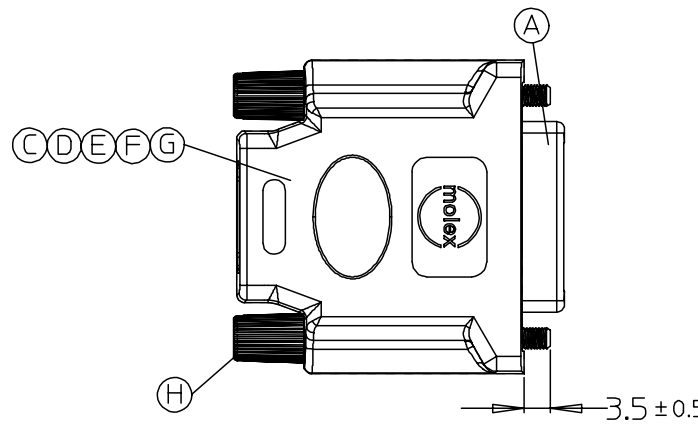
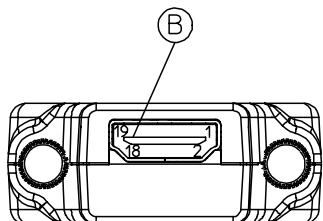
HDMI	DVI-D	Function
1	2	TMDS DATA2+
2	3	TMDS DATA2 SHIELD
3	1	TMDS DATA2-
4	10	TMDS DATA1+
5	11	TMDS DATA1 SHIELD
6	9	TMDS DATA1-
7	18	TMDS DATA0+
8	19	TMDS DATA0 SHIELD
9	17	TMDS DATA0-
10	23	TMDS CLOCK+
11	22	TMDS CLOCK SHIELD
12	24	TMDS CLOCK-
13	N.A	N.A
14	N.A	N.A
15	6	DDC CLOCK(SCL)
16	7	DDC DATA(SDA)
17	15	GROUND(+5V&DDC)
18	14	POWER +5V
19	16	HOT PLUG DETECT
SHIELD	SHIELD	GROUND(+5V&DDC)

ITEM	DESCRIPTION	USAGE
H	4-40 UNC SCREW	2
G	PCB	1
F	BOTTOM METAL CAN	1
E	TOP METAL CAN	1
D	ABS BOTTOM COVER	1
C	ABS TOP COVER	1
B	HDMI F&PCB ASSY'	1
A	DVI-D CONN.	1

ENTER DESCRIPTION EC NO: DG2006-0175 DRWN: JFZHENG CHKD: APPR: DQLUO	2006/02/18 2006/02/20 2006/02/20	DESCRIPTION REV	QUALITY SYMBOLS ▽=0 ▽=0	GENERAL TOLERANCES (UNLESS SPECIFIED) <table border="1"> <thead> <tr> <th></th> <th>mm</th> <th>INCH</th> </tr> </thead> <tbody> <tr><td>4 PLACES</td><td>± ---</td><td>± ---</td></tr> <tr><td>3 PLACES</td><td>± ---</td><td>± ---</td></tr> <tr><td>2 PLACES</td><td>± ---</td><td>± ---</td></tr> <tr><td>1 PLACE</td><td>± ---</td><td>± ---</td></tr> </tbody> </table> ANGULAR ± ---°		mm	INCH	4 PLACES	± ---	± ---	3 PLACES	± ---	± ---	2 PLACES	± ---	± ---	1 PLACE	± ---	± ---	DIMENSION STYLE MM ONLY DRAWN BY: JFZHENG DATE: 2006/01/19 CHECKED BY: JFZHENG DATE: 2006/01/19 APPROVED BY: DQLUO DATE: 2006/01/19	SCALE --- DESIGN UNITS METRIC	THIRD ANGLE PROJECTION
				mm	INCH																	
			4 PLACES	± ---	± ---																	
			3 PLACES	± ---	± ---																	
2 PLACES	± ---	± ---																				
1 PLACE	± ---	± ---																				
DRAFT WHERE APPLICABLE MUST REMAIN WITHIN DIMENSIONS			MATERIAL NO. 887670600	DOCUMENT NO. SD-88767-060	SHEET NO. 1 OF 1																	
THIS DRAWING CONTAINS INFORMATION THAT IS PROPRIETARY TO MOLEX INCORPORATED AND SHOULD NOT BE USED WITHOUT WRITTEN PERMISSION			MOLEX INCORPORATED																			
HDM TO DVI-D ADAPTER			MOLEX INCORPORATED																			

7 6 5 4 3 2 1

E
D
C
B
A



- Notes:
1. DIELECTRIC STRENGTH: 300V AC
 2. INSULATION RESISTANCE : 100M OHMS Min.
 3. CONTACT RESISTANCE: 2 OHMS Max.
 4. PCB IMPEDANCE: 100±15 OHMS
 5. THIS PRODUCT MUST MEET ROHS COMPLIANCE

HDMI	DVI-D	Function
1	2	TMDS DATA2+
2	3	TMDS DATA2 SHIELD
3	1	TMDS DATA2-
4	10	TMDS DATA1+
5	11	TMDS DATA1 SHIELD
6	9	TMDS DATA1-
7	18	TMDS DATA0+
8	19	TMDS DATA0 SHIELD
9	17	TMDS DATA0-
10	23	TMDS CLOCK+
11	22	TMDS CLOCK SHIELD
12	24	TMDS CLOCK-
13	N.A	N.A
14	N.A	N.A
15	6	DDC CLOCK(SCL)
16	7	DDC DATA(SDA)
17	15	GROUND(+5V&DDC)
18	14	POWER +5V
19	16	HOT PLUG DETECT
SHIELD	SHIELD	GROUND(+5V&DDC)

ITEM	DESCRIPTION	USAGE
H	4-40 UNC SCREW	2
G	PCB	1
F	BOTTOM METAL CAN	1
E	TOP METAL CAN	1
D	ABS BOTTOM COVER	1
C	ABS TOP COVER	1
B	HDMI_F&PCB ASSY'	1
A	DVI-D CONN.	1

ENTER DESCRIPTION EC NO: DG2006-0164 DRWN: JFZHENG 2006/01/20 CHKD: 2006/01/20 APPR: DQLUO 2006/08/28	DESCRIPTION REV	QUALITY SYMBOLS ▽=0 ▽=0	GENERAL TOLERANCES (UNLESS SPECIFIED) <table border="1"> <thead> <tr> <th></th> <th>mm</th> <th>INCH</th> </tr> </thead> <tbody> <tr><td>4 PLACES</td><td>± ---</td><td>± ---</td></tr> <tr><td>3 PLACES</td><td>± ---</td><td>± ---</td></tr> <tr><td>2 PLACES</td><td>± ---</td><td>± ---</td></tr> <tr><td>1 PLACE</td><td>± ---</td><td>± ---</td></tr> </tbody> </table> ANGULAR ±1/2°		mm	INCH	4 PLACES	± ---	± ---	3 PLACES	± ---	± ---	2 PLACES	± ---	± ---	1 PLACE	± ---	± ---	DIMENSION STYLE MM ONLY DRAWN BY DATE JFZHENG 2006/01/19 CHECKED BY DATE JFZHENG 2006/01/19 APPROVED BY DATE DQLUO 2006/01/19	SCALE --- DESIGN UNITS METRIC THIRD ANGLE PROJECTION	TITLE HDMI TO DVI-D ADAPTER MOLEX INCORPORATED MATERIAL NO. 887670600 DOCUMENT NO. SD-887670600 SHEET NO. 1 OF 1
			mm	INCH																	
		4 PLACES	± ---	± ---																	
		3 PLACES	± ---	± ---																	
2 PLACES	± ---	± ---																			
1 PLACE	± ---	± ---																			
DRAFT WHERE APPLICABLE MUST REMAIN WITHIN DIMENSIONS			THIS DRAWING CONTAINS INFORMATION THAT IS PROPRIETARY TO MOLEX INCORPORATED AND SHOULD NOT BE USED WITHOUT WRITTEN PERMISSION																		

6 5 4 3 2 1