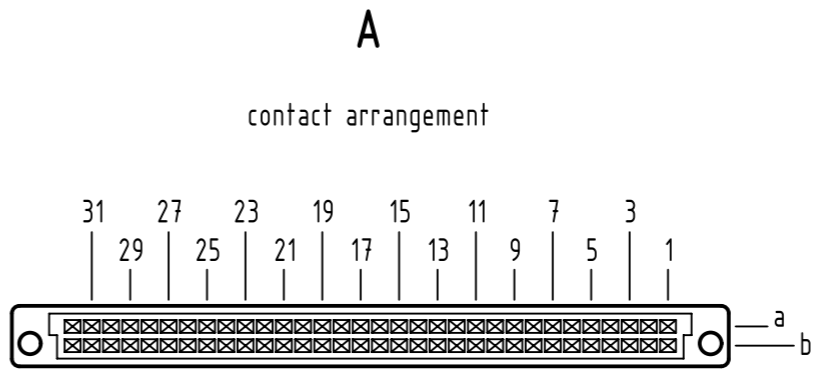
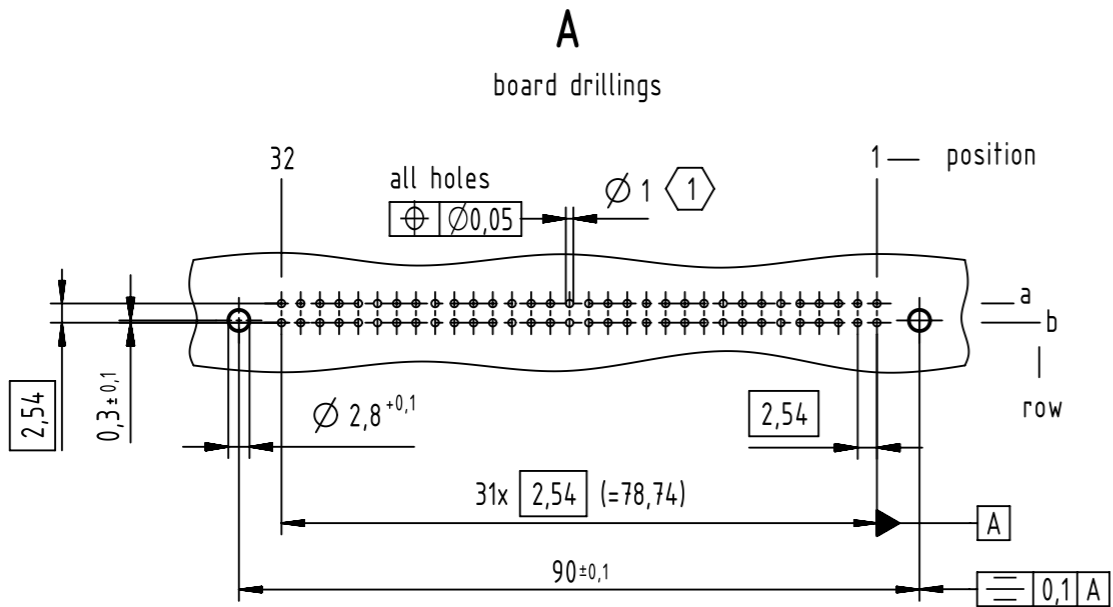


1 2 3 4 5 6 7 8

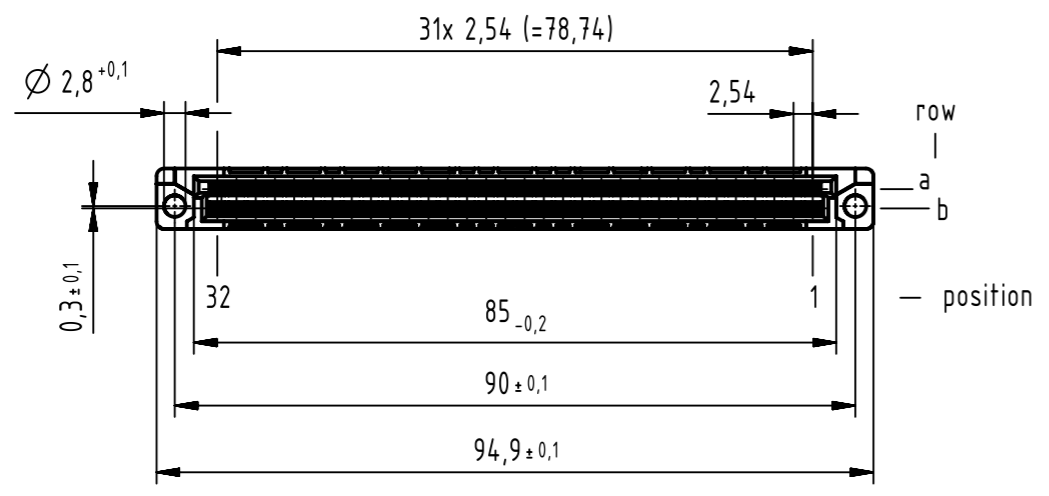
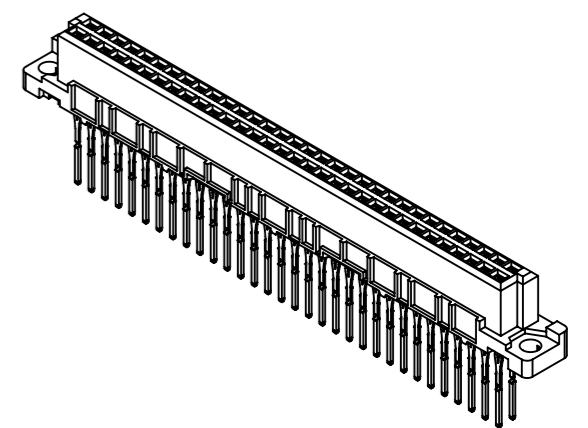
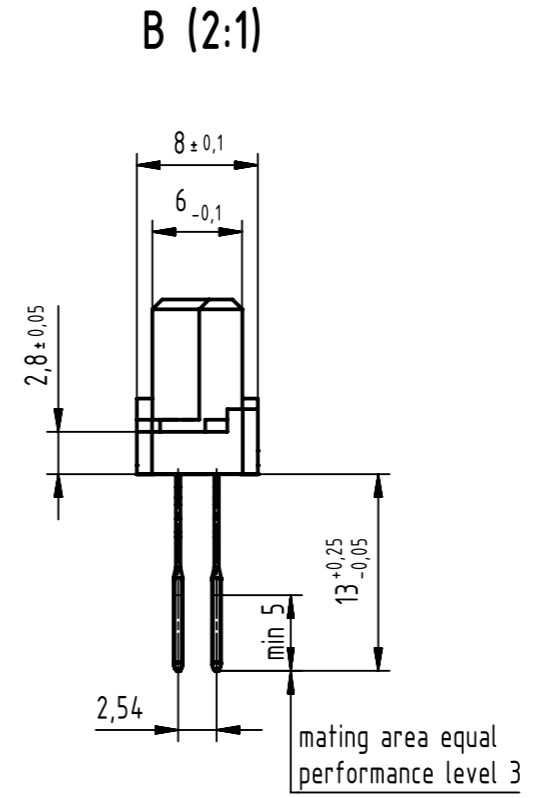
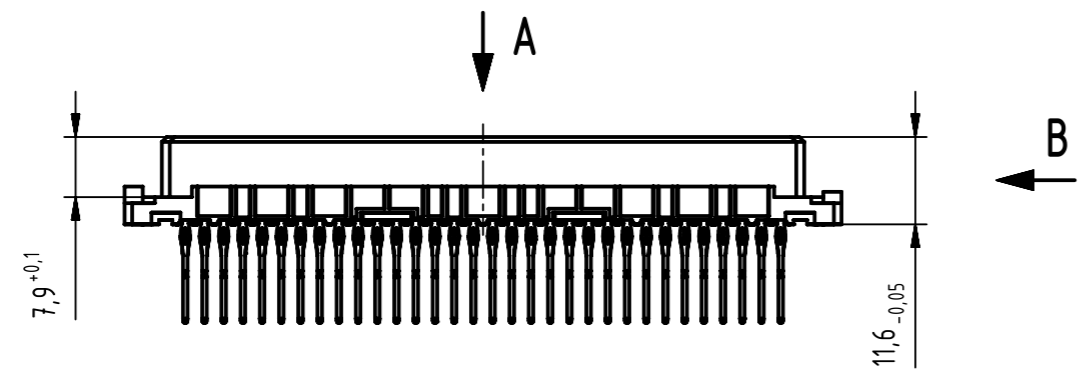
A
B
C
D
E
F



64 press-in contacts

☒ = position with contact

☐ = position without contact



1 recommended configuration of plated through holes and further information see: DS 09032100001

09 02 264 6861	2
part-no	performance level 1

	All Dimensions in mm Original Size DIN A3	Scale 1:1	Free size tol. IEC 60603-2	Ref.	
	Created by STORCK		Inspected by LEHNERT	Standardisation KOHLER	Date 2016-05-20
All rights reserved Department EC PD - DE		Title DIN Signal type B female press-in 13.0			State Final Release
HARTING Electronics GmbH D-32339 Espelkamp		Type TB	Number 0902264X861	Doc-Key / ECM-Nr. 100179617/UGD/055/C 500000104358	Rev. C Page 1/1

1 2 3 4 5 6 7 8