

Ultra-Small Footprint P-Channel FemtoFET™ MOSFET Test EVM

Contents

1	Introduction	1
2	Description	1
3	Electrical Performance Specifications	2
4	Schematic	4
5	Test Setup	5
	5.1 Board Picture	5
6	EVM Assembly Drawing and PCB Layout	6
	6.1 Top Layer Assembly Drawing (Top View)	6
	6.2 Bottom Assembly Drawing (Bottom View)	7
7	Bill of Materials	8

Trademarks

FemtoFET is a trademark of Texas Instruments.
 All other trademarks are the property of their respective owners.

1 Introduction

The evaluation module (EVM) CSD1FPCHEVM-890 provides the test interface for the following P-channel FemtoFETs: CSD23280F3, CSD23382F4, CSD23285F5, CSD25480F3, CSD25481F4, and CSD25485F5.

2 Description

The CSD1FPCHEVM-890 is designed to test six P-Channel FemtoFETs. For each MOSFET, the Drain, Gate, and Source terminals can be connected to customer test circuit through the headers for device and system evaluation. The EVM also provides sense points to evaluate the performance of the MOSFETs.

3 Electrical Performance Specifications

Table 1. CSD1FPCHEVM-890 Electrical Performance Specifications

PARAMETER	DESCRIPTION	MIN	TYP	MAX	UNITS
CSD23280F3					
Input Characteristics					
V_{DS}	Drain-to-Source Voltage			-12	V
V_{GS}	Gate-to-Source Voltage			-6	V
Output Characteristics					
$I_D^{(1)}$	Continuous Drain Current, Max Cu			-3.0	A
$I_D^{(1)}$	Continuous Drain Current, Min Cu			-1.8	A
$I_{DM}^{(2)}$	Pulsed Drain Current			-11.4	A
CSD23382F4					
Input Characteristics					
V_{DS}	Drain-to-Source Voltage			-12	V
V_{GS}	Gate-to-Source Voltage			±8	V
Output Characteristics					
$I_D^{(1)}$	Continuous Drain Current, Max Cu			-3.5	A
$I_D^{(1)}$	Continuous Drain Current, Min Cu			-2.3	A
$I_{DM}^{(2)}$	Pulsed Drain Current			-14.4	A
CSD23285F5					
Input Characteristics					
V_{DS}	Drain-to-Source Voltage			-12	V
V_{GS}	Gate-to-Source Voltage			-6	V
Output Characteristics					
$I_D^{(1)}$	Continuous Drain Current, Max Cu			-5.4	A
$I_D^{(1)}$	Continuous Drain Current, Min Cu			-3.3	A
$I_{DM}^{(2)}$	Pulsed Drain Current			-31	A
CSD25480F3					
Input Characteristics					
V_{DS}	Drain-to-Source Voltage			-20	V
V_{GS}	Gate-to-Source Voltage			-12	V
Output Characteristics					
$I_D^{(1)}$	Continuous Drain Current, Max Cu			-2.8	A
$I_D^{(1)}$	Continuous Drain Current, Min Cu			-1.7	A
$I_{DM}^{(2)}$	Pulsed Drain Current			-10.6	A
CSD25481F4					
Input Characteristics					
V_{DS}	Drain-to-Source Voltage			-20	V
V_{GS}	Gate-to-Source Voltage			-12	V
Output Characteristics					
$I_D^{(1)}$	Continuous Drain Current, Max Cu			-2.5	A
$I_D^{(1)}$	Continuous Drain Current, Min Cu			-2.1	A
$I_{DM}^{(2)}$	Pulsed Drain Current			-13.1	A
CSD25485F5					
Input Characteristics					
V_{DS}	Drain-to-Source Voltage			-20	V
V_{GS}	Gate-to-Source Voltage			-12	V

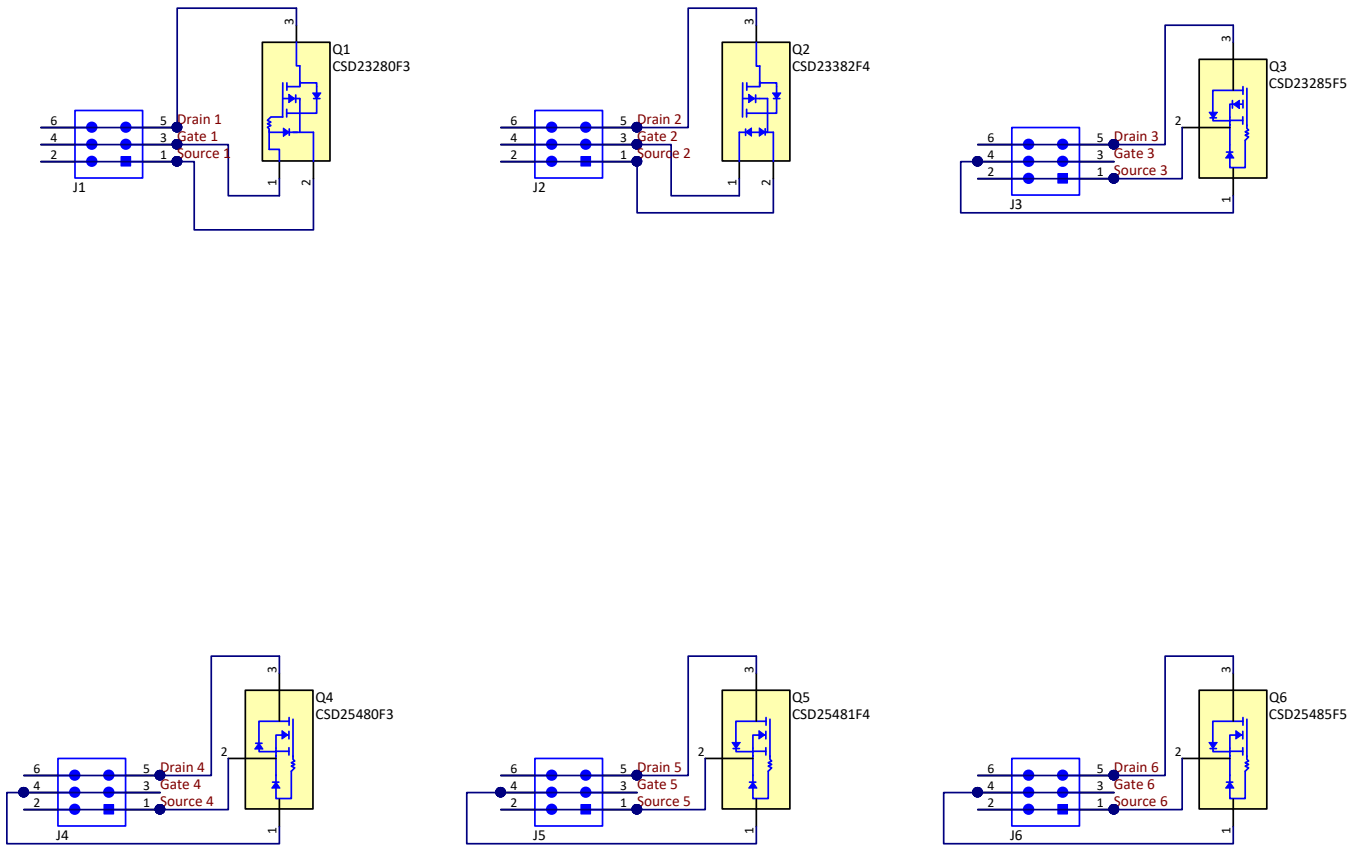
⁽¹⁾ Refer to the thermal values in the respective data sheets.

⁽²⁾ Pulse duration ≤ 100 μs, duty cycle ≤ 1%.

Table 1. CSD1FPCHEVM-890 Electrical Performance Specifications (continued)

PARAMETER	DESCRIPTION	MIN	TYP	MAX	UNITS
Output Characteristics					
$I_D^{(1)}$	Continuous Drain Current, Max Cu			-5.3	A
$I_D^{(1)}$	Continuous Drain Current, Min Cu			-3.3	A
$I_{DM}^{(2)}$	Pulsed Drain Current			-31	A

4 Schematic



Copyright © 2017, Texas Instruments Incorporated

Figure 1. CSD1FPCHEVM-890 Schematic

5 Test Setup

5.1 Board Picture

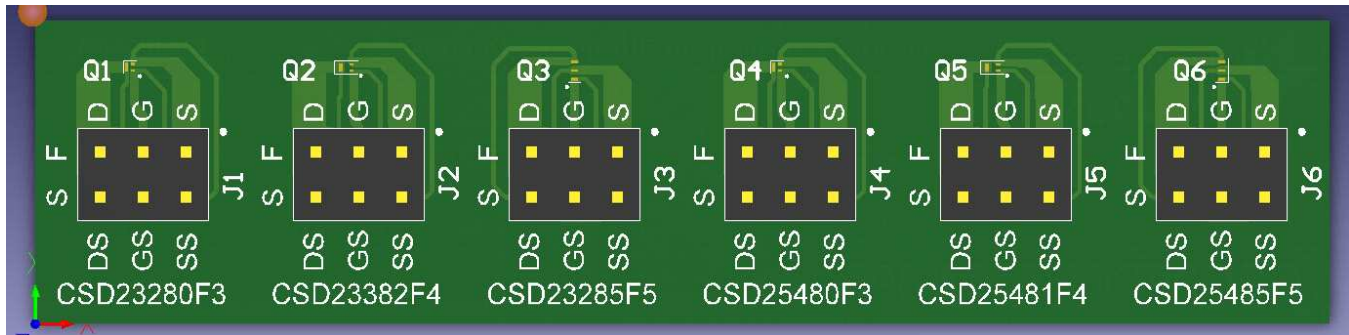
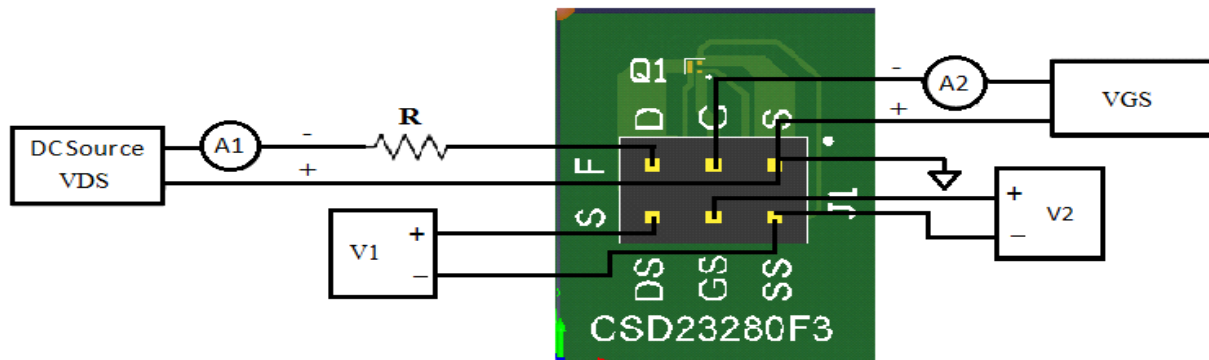


Figure 2. CSD1FPCHEVM-890

Figure 2 is board picture of the CSD1FPCHEVM-890. For each MOSFET, there is a connector which provides the force and sense points to the Drain, Gate, and, Source terminals. The D (Drain), G (Gate), and S (Source) are the force points which need to be connected to the test circuit; while DS (Drain Sense), GS (Gate Sense), and SS (Source Sense) are the sense points which can be used to measure the voltages.

5.1.1 Test Set-Up Example



Copyright © 2017, Texas Instruments Incorporated

Figure 3. CSD1FPCHEVM-890

Figure 3 shows an example of the test setup for CSD23280F3: a voltage source V_{DS} is connected to D and S through a load resistor and a voltage source V_{GS} is connected to the G and S. With V_{DS} voltage being applied, the MOSFET will be turned on if V_{GS} is smaller than the threshold voltage. V1 and V2 are the voltage meters to measure the V_{DS} and V_{GS} voltages, while A1 and A2 are the current meters to monitor the currents I_D and I_G .

Table 1 lists the maximum V_{GS} and V_{DS} voltages and maximum I_D current for each of the devices.

6 EVM Assembly Drawing and PCB Layout

The following figures (Figure 4 and Figure 5) show the design of the CSD1FPCHEVM-890 printed circuit board. The EVM has been designed using a 2-Layer circuit board.

6.1 Top Layer Assembly Drawing (Top View)

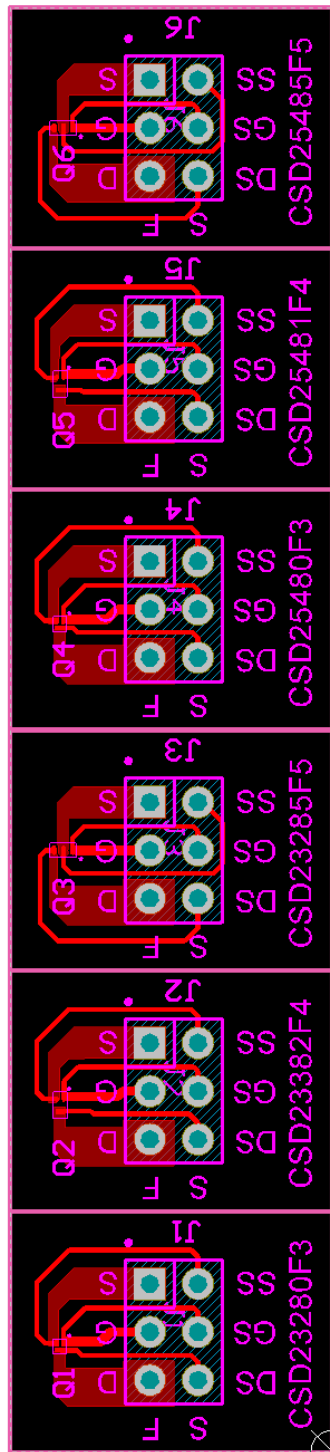


Figure 4. CSD1FPCHEVM-890

6.2 Bottom Assembly Drawing (Bottom View)

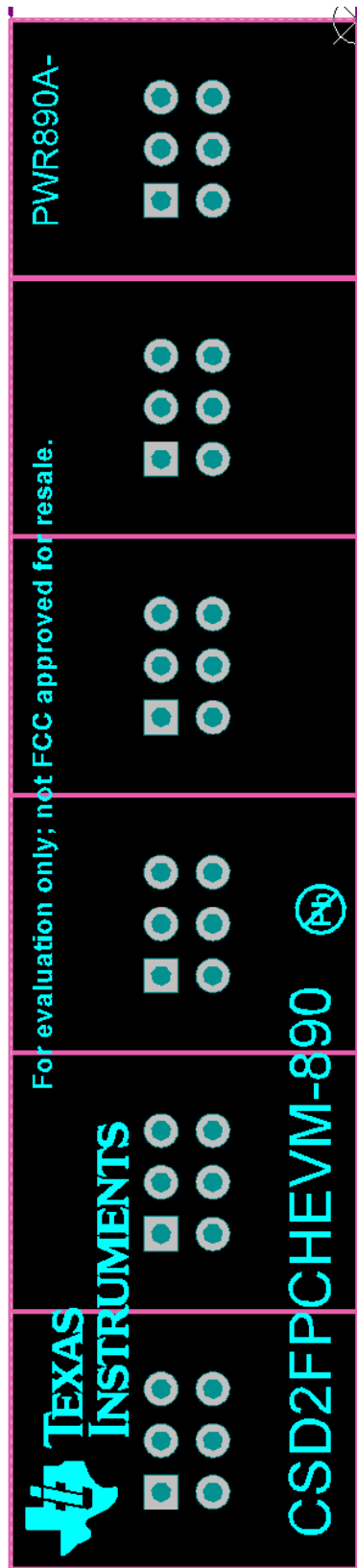


Figure 5. CSD1FPCHEVM-890

7 Bill of Materials

The EVM components list according to the schematic in [Figure 1](#).

Table 2. List of Materials

PART NUMBER	DESCRIPTION	DESIGNATOR	FOOTPRINT	LIB REF	QTY
PWR890	Printed Circuit Board	PCB1		PCB	1
TSW-103-07-G-D	Header, 100 mil, 3x2, Gold, TH	J1, J2, J3, J4, J5, J6	TSW-103-07-G-D	TSW-103-07-G-D	6
CSD23280F3	12-V P-Ch FemtoFET	Q1	FemtoF3	CSD23280F3	1
CSD23382F4	12-V P-Ch FemtoFET	Q2	FemtoF4	CSD23382F4	1
CSD23385F5	12-V P-Ch FemtoFET	Q3	FemtoF5	CSD23385F5	1
CSD25480F3	20-V P-Ch FemtoFET	Q4	FemtoF3	CSD25480F3	1
CSD25481F4	20-V P-Ch FemtoFET	Q5	FemtoF4	CSD25481F4	1
CSD25485F5	20-V P-Ch FemtoFET	Q6	FemtoF5	CSD25485F5	1

Evaluation Board/Kit Important Notice

Texas Instruments (TI) provides the enclosed product(s) under the following conditions:

This evaluation board/kit is intended for use for **ENGINEERING DEVELOPMENT, DEMONSTRATION, OR EVALUATION PURPOSES ONLY** and is not considered by TI to be a finished end-product fit for general consumer use. Persons handling the product(s) must have electronics training and observe good engineering practice standards. As such, the goods being provided are not intended to be complete in terms of required design-, marketing-, and/or manufacturing-related protective considerations, including product safety and environmental measures typically found in end products that incorporate such semiconductor components or circuit boards. This evaluation board/kit does not fall within the scope of the European Union directives regarding electromagnetic compatibility, restricted substances (RoHS), recycling (WEEE), FCC, CE or UL, and therefore may not meet the technical requirements of these directives or other related directives.

Should this evaluation board/kit not meet the specifications indicated in the User's Guide, the board/kit may be returned within 30 days from the date of delivery for a full refund. **THE FOREGOING WARRANTY IS THE EXCLUSIVE WARRANTY MADE BY SELLER TO BUYER AND IS IN LIEU OF ALL OTHER WARRANTIES, EXPRESSED, IMPLIED, OR STATUTORY, INCLUDING ANY WARRANTY OF MERCHANTABILITY OR FITNESS FOR ANY PARTICULAR PURPOSE.**

The user assumes all responsibility and liability for proper and safe handling of the goods. Further, the user indemnifies TI from all claims arising from the handling or use of the goods. Due to the open construction of the product, it is the user's responsibility to take any and all appropriate precautions with regard to electrostatic discharge.

EXCEPT TO THE EXTENT OF THE INDEMNITY SET FORTH ABOVE, NEITHER PARTY SHALL BE LIABLE TO THE OTHER FOR ANY INDIRECT, SPECIAL, INCIDENTAL, OR CONSEQUENTIAL DAMAGES.

TI currently deals with a variety of customers for products, and therefore our arrangement with the user **is not exclusive.**

TI assumes **no liability for applications assistance, customer product design, software performance, or infringement of patents or services described herein.**

Please read the User's Guide and, specifically, the Warnings and Restrictions notice in the User's Guide prior to handling the product. This notice contains important safety information about temperatures and voltages. For additional information on TI's environmental and/or safety programs, please contact the TI application engineer or visit www.ti.com/esh.

No license is granted under any patent right or other intellectual property right of TI covering or relating to any machine, process, or combination in which such TI products or services might be or are used.

FCC Warning

This evaluation board/kit is intended for use for **ENGINEERING DEVELOPMENT, DEMONSTRATION, OR EVALUATION PURPOSES ONLY** and is not considered by TI to be a finished end-product fit for general consumer use. It generates, uses, and can radiate radio frequency energy and has not been tested for compliance with the limits of computing devices pursuant to part 15 of FCC rules, which are designed to provide reasonable protection against radio frequency interference. Operation of this equipment in other environments may cause interference with radio communications, in which case the user at his own expense will be required to take whatever measures may be required to correct this interference.

EVM Warnings and Restrictions

It is important to operate this EVM within the input voltage range of and the output voltage range of .

Exceeding the specified input range may cause unexpected operation and/or irreversible damage to the EVM. If there are questions concerning the input range, please contact a TI field representative prior to connecting the input power.

Applying loads outside of the specified output range may result in unintended operation and/or possible permanent damage to the EVM. Please consult the EVM User's Guide prior to connecting any load to the EVM output. If there is uncertainty as to the load specification, please contact a TI field representative.

During normal operation, some circuit components may have case temperatures greater than . The EVM is designed to operate properly with certain components above as long as the input and output ranges are maintained. These components include but are not limited to linear regulators, switching transistors, pass transistors, and current sense resistors. These types of devices can be identified using the EVM schematic located in the EVM User's Guide. When placing measurement probes near these devices during operation, please be aware that these devices may be very warm to the touch.

Mailing Address: Texas Instruments, Post Office Box 655303, Dallas, Texas 75265
Copyright © 2017, Texas Instruments Incorporated

IMPORTANT NOTICE FOR TI DESIGN INFORMATION AND RESOURCES

Texas Instruments Incorporated ("TI") technical, application or other design advice, services or information, including, but not limited to, reference designs and materials relating to evaluation modules, (collectively, "TI Resources") are intended to assist designers who are developing applications that incorporate TI products; by downloading, accessing or using any particular TI Resource in any way, you (individually or, if you are acting on behalf of a company, your company) agree to use it solely for this purpose and subject to the terms of this Notice.

TI's provision of TI Resources does not expand or otherwise alter TI's applicable published warranties or warranty disclaimers for TI products, and no additional obligations or liabilities arise from TI providing such TI Resources. TI reserves the right to make corrections, enhancements, improvements and other changes to its TI Resources.

You understand and agree that you remain responsible for using your independent analysis, evaluation and judgment in designing your applications and that you have full and exclusive responsibility to assure the safety of your applications and compliance of your applications (and of all TI products used in or for your applications) with all applicable regulations, laws and other applicable requirements. You represent that, with respect to your applications, you have all the necessary expertise to create and implement safeguards that (1) anticipate dangerous consequences of failures, (2) monitor failures and their consequences, and (3) lessen the likelihood of failures that might cause harm and take appropriate actions. You agree that prior to using or distributing any applications that include TI products, you will thoroughly test such applications and the functionality of such TI products as used in such applications. TI has not conducted any testing other than that specifically described in the published documentation for a particular TI Resource.

You are authorized to use, copy and modify any individual TI Resource only in connection with the development of applications that include the TI product(s) identified in such TI Resource. NO OTHER LICENSE, EXPRESS OR IMPLIED, BY ESTOPPEL OR OTHERWISE TO ANY OTHER TI INTELLECTUAL PROPERTY RIGHT, AND NO LICENSE TO ANY TECHNOLOGY OR INTELLECTUAL PROPERTY RIGHT OF TI OR ANY THIRD PARTY IS GRANTED HEREIN, including but not limited to any patent right, copyright, mask work right, or other intellectual property right relating to any combination, machine, or process in which TI products or services are used. Information regarding or referencing third-party products or services does not constitute a license to use such products or services, or a warranty or endorsement thereof. Use of TI Resources may require a license from a third party under the patents or other intellectual property of the third party, or a license from TI under the patents or other intellectual property of TI.

TI RESOURCES ARE PROVIDED "AS IS" AND WITH ALL FAULTS. TI DISCLAIMS ALL OTHER WARRANTIES OR REPRESENTATIONS, EXPRESS OR IMPLIED, REGARDING TI RESOURCES OR USE THEREOF, INCLUDING BUT NOT LIMITED TO ACCURACY OR COMPLETENESS, TITLE, ANY EPIDEMIC FAILURE WARRANTY AND ANY IMPLIED WARRANTIES OF MERCHANTABILITY, FITNESS FOR A PARTICULAR PURPOSE, AND NON-INFRINGEMENT OF ANY THIRD PARTY INTELLECTUAL PROPERTY RIGHTS.

TI SHALL NOT BE LIABLE FOR AND SHALL NOT DEFEND OR INDEMNIFY YOU AGAINST ANY CLAIM, INCLUDING BUT NOT LIMITED TO ANY INFRINGEMENT CLAIM THAT RELATES TO OR IS BASED ON ANY COMBINATION OF PRODUCTS EVEN IF DESCRIBED IN TI RESOURCES OR OTHERWISE. IN NO EVENT SHALL TI BE LIABLE FOR ANY ACTUAL, DIRECT, SPECIAL, COLLATERAL, INDIRECT, PUNITIVE, INCIDENTAL, CONSEQUENTIAL OR EXEMPLARY DAMAGES IN CONNECTION WITH OR ARISING OUT OF TI RESOURCES OR USE THEREOF, AND REGARDLESS OF WHETHER TI HAS BEEN ADVISED OF THE POSSIBILITY OF SUCH DAMAGES.

You agree to fully indemnify TI and its representatives against any damages, costs, losses, and/or liabilities arising out of your non-compliance with the terms and provisions of this Notice.

This Notice applies to TI Resources. Additional terms apply to the use and purchase of certain types of materials, TI products and services. These include; without limitation, TI's standard terms for semiconductor products (<http://www.ti.com/sc/docs/stdterms.htm>), [evaluation modules](#), and [samples](http://www.ti.com/sc/docs/sampterm.htm) (<http://www.ti.com/sc/docs/sampterm.htm>).

Mailing Address: Texas Instruments, Post Office Box 655303, Dallas, Texas 75265
Copyright © 2017, Texas Instruments Incorporated