

NOTES:

1) MATERIALS:

HOUSING: GLASS FILLED LCP (LIQUID CRYSTAL POLYMER),
UL 94V-0, COLOR: BLACK.
TAIL ALIGNER: GLASS FILLED, LCP (LIQUID CRYSTAL POLYMER)
UL 94V-0, COLOR: BLACK.
MOLDED STICK: GLASS FILLED LCP (LIQUID CRYSTAL POLYMER)
UL 94V-0, COLOR: BLACK.
MALE CONTACT: PHOS. BRONZE .012±.0005 THICK.
OUTER SHELL: LOW CARBON STEEL.
THREADED INSERT: BRASS.

2) PLATING :

TERMINAL: .000030/(0.00076) MINIMUM GOLD IN SELECTIVE AREA;
.000100/(0.00254) TIN IN SELECTIVE AREA;
OVER NICKEL UNDERPLATE OVERALL.

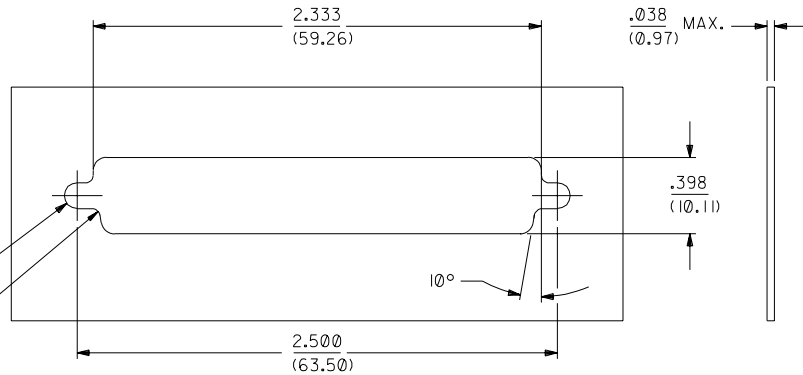
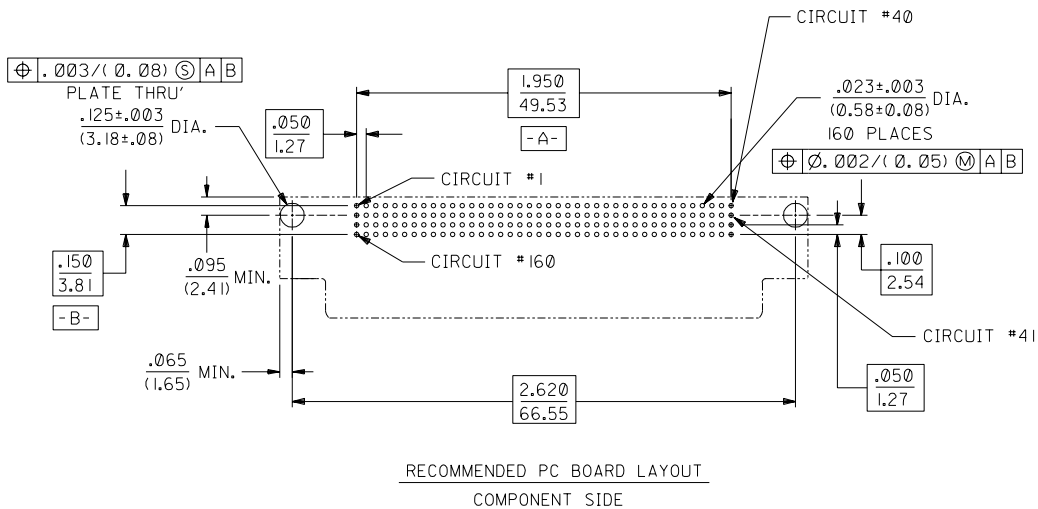
OUTER SHELL: .000150/(0.00381) MINIMUM TIN OVER
.000050/(0.00127) MINIMUM NICKEL OVER
COPPER FLASH (OPTIONAL).

3) THIS PART CONFORMS TO MOLEX PRODUCT SPECIFICATION PS-71626.

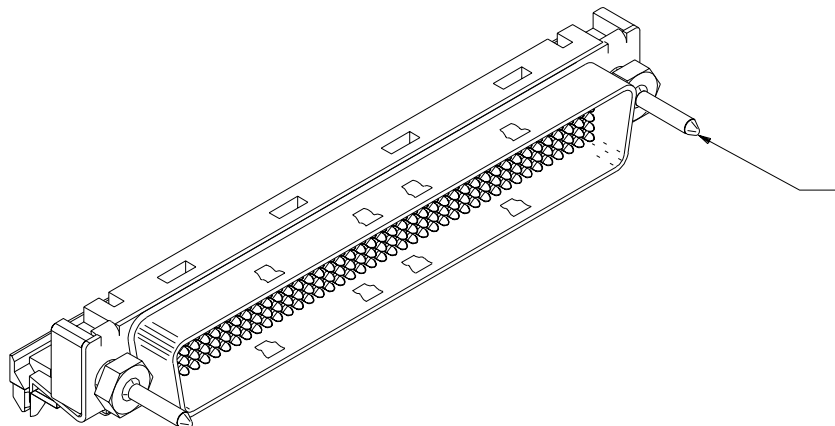
4) PACKAGING SPECIFICATION PK-70873-0224 APPLIES.

NOTE FOR LEAD FREE CONVERSION:

THE PRIMARY SHIPPING CARTON WILL BE
LABELED "COMPLIANT TO RoHS DIRECTIVE
2002/95/EC AND ELV ANNEX II OF
DIRECTIVE 2000/53/EC". CARTONS
WITHOUT THIS LABEL MAY CONTAIN
PRODUCT WITH LEAD.



PANEL CUT-OUT DIMENSIONS
ALL TOLERANCES ±.003/(0.08)
UNLESS OTHERWISE STATED.



FOR OPTIONAL HARDWARE DETAILS
SEE SDA-71628-*****

M		SEE SHEET I	DIMENSIONS SHOWN (METRIC) INCH		▽ = 0 ▽ = 0 REVISE ONLY ON CAD SYSTEM	
K		SEE SHEET I	UNLESS OTHERWISE SPECIFIED TOLERANCES: ANGULAR ± 1/2°		TITLE	
J		SEE SHEET I	3 PLACE ± .010 ---		.050" Pitch LFH 160 Ckt. Right Angle I/O Male Sales Assembly	
LTR.		REVISIONS	2 PLACE ± --- ± ---		MOLEX INCORPORATED SHEET NO. DATE	
			1 PLACE --- ± ---		LITSE,ILL. 60532 U.S.A. 2 9/12/91	
			DRAFT WHERE APPLICABLE MUST REMAIN WITHIN DIMENSIONS		PART NO. DRWG. NO.	
			DRWG. BY CAB CHK'D BY BIXLER		SEE SHEET I SDA-71624-200*	
			APPR'D BY CAB SCALE 2:1		FILE NAME 57162422.DWG	
					THIS DRAWING CONTAINS INFORMATION THAT IS PROPRIETARY TO MOLEX INC. AND SHOULD NOT BE USED WITHOUT WRITTEN PERMISSION.	
					DIV. SIZE CD C	